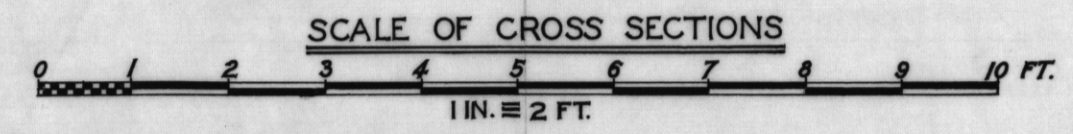
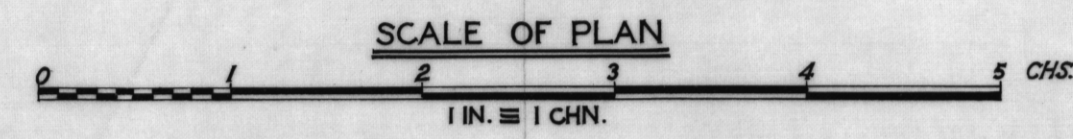


# PROPOSED CASCADE — BRANXHOLM RACE

## SECTION I (0-40 CHAINS)



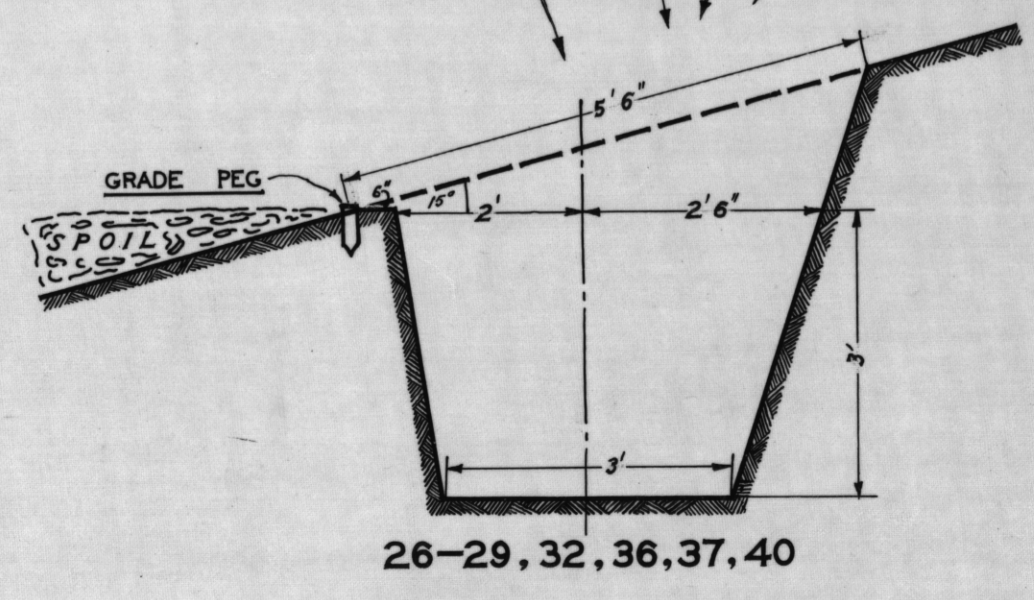
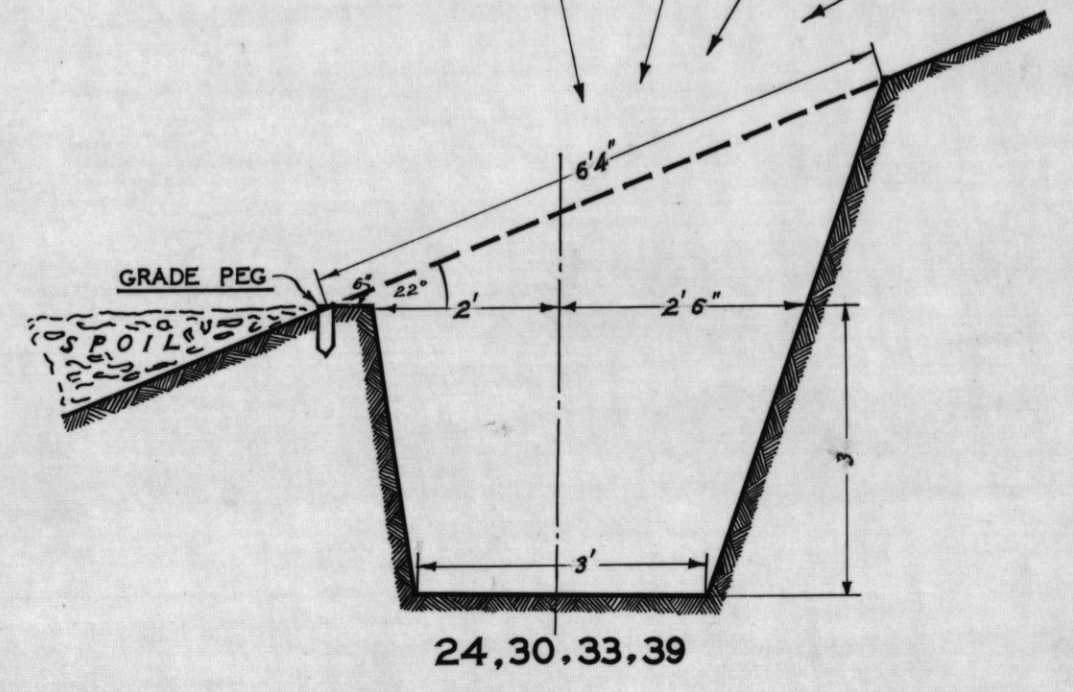
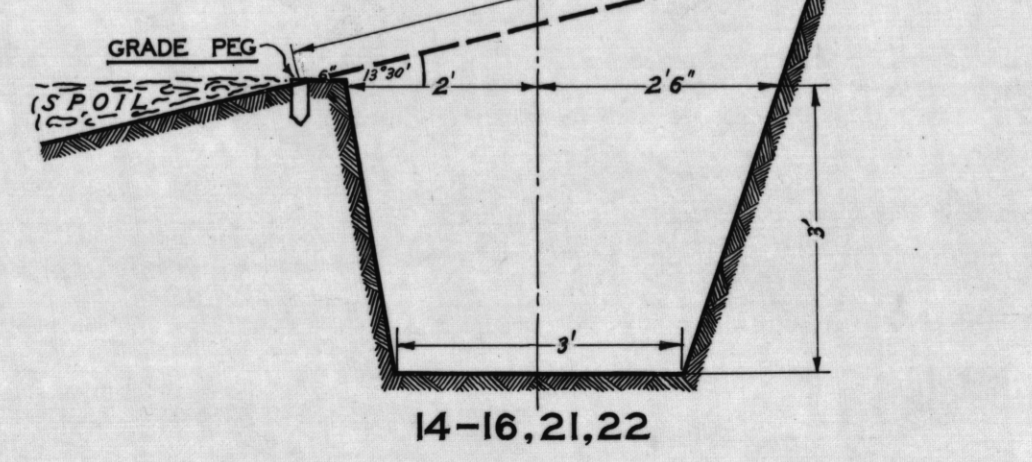
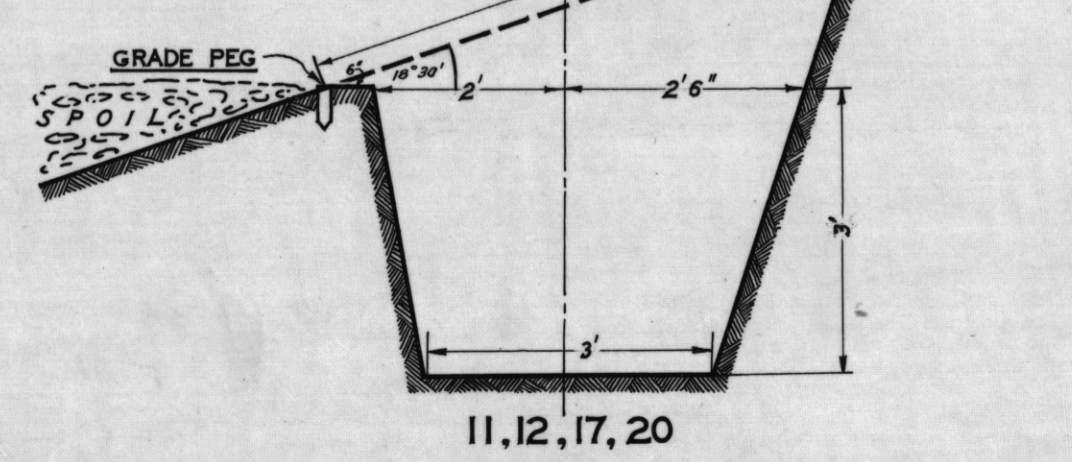
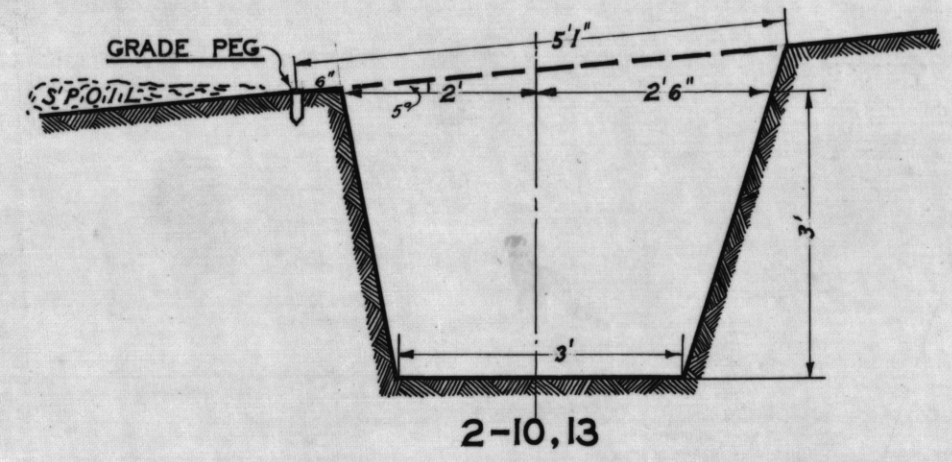
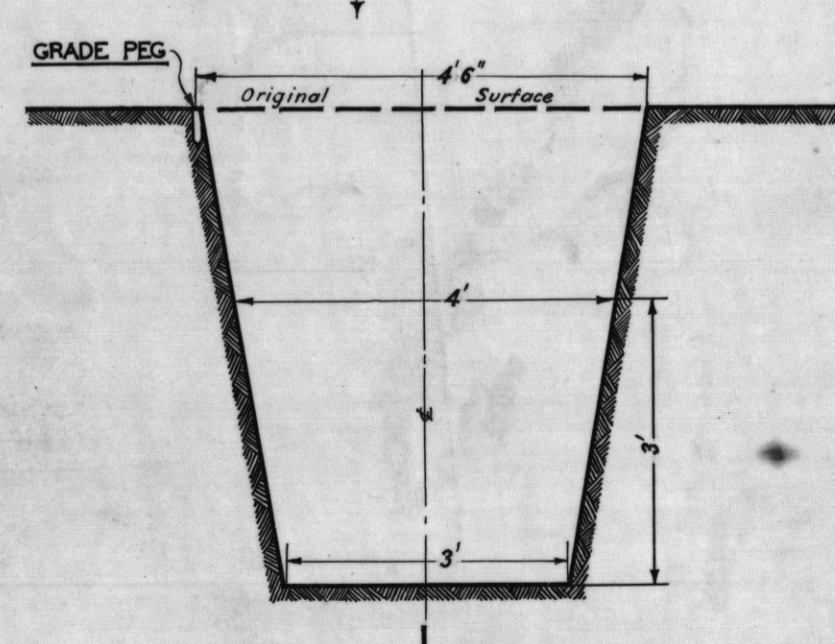
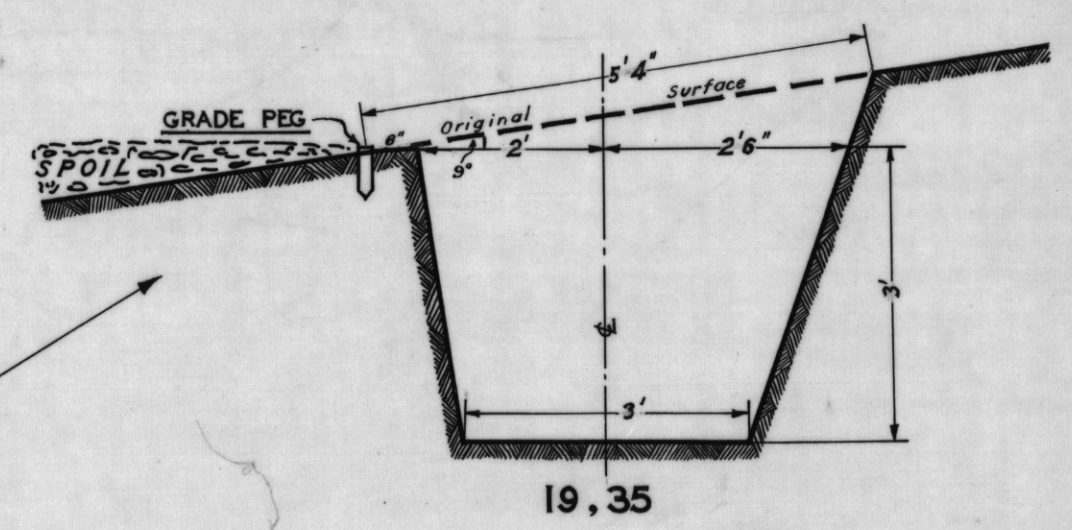
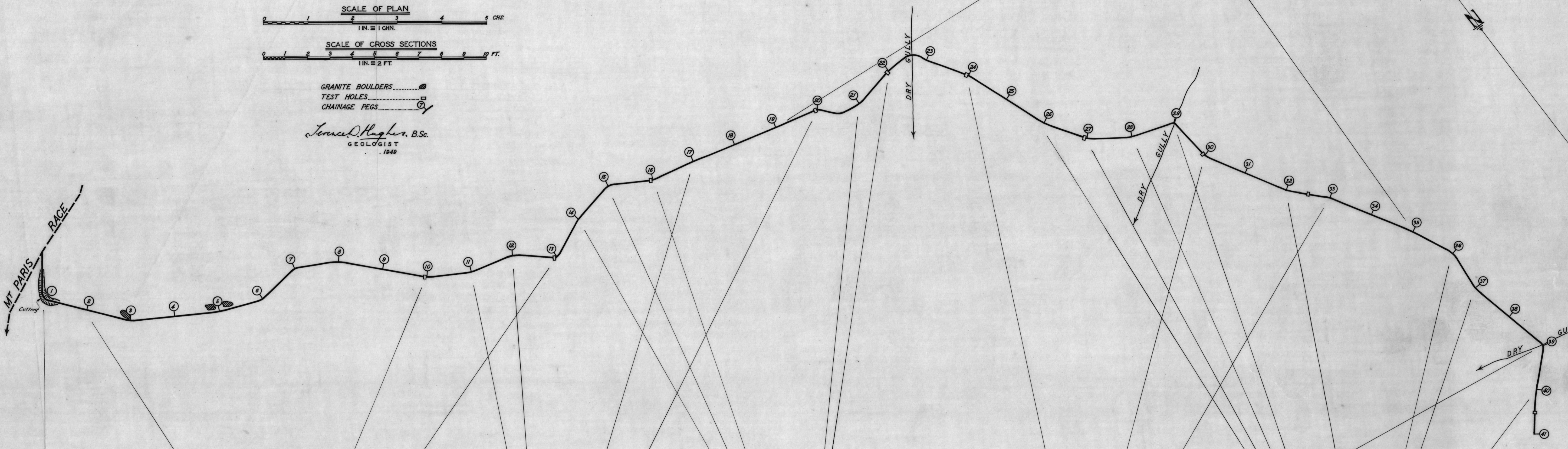
GRANITE BOULDERS .....

TEST HOLES .....

CHAINAGE PEGS .....

*Tennant Hughes, B.Sc.*  
GEOLOGIST  
1949

MT. PARIS RACE  
Cutting



1106

149

5 cm