

PROPOSED  
**CASCADE — BRANXHOLM RACE**

**SECTION 8**  
 (329 - 377 CHAINS)

PROPOSED CASCADE - BRANXHOLM RACE.

SECTION 8: 329 - 377 CHAINS.

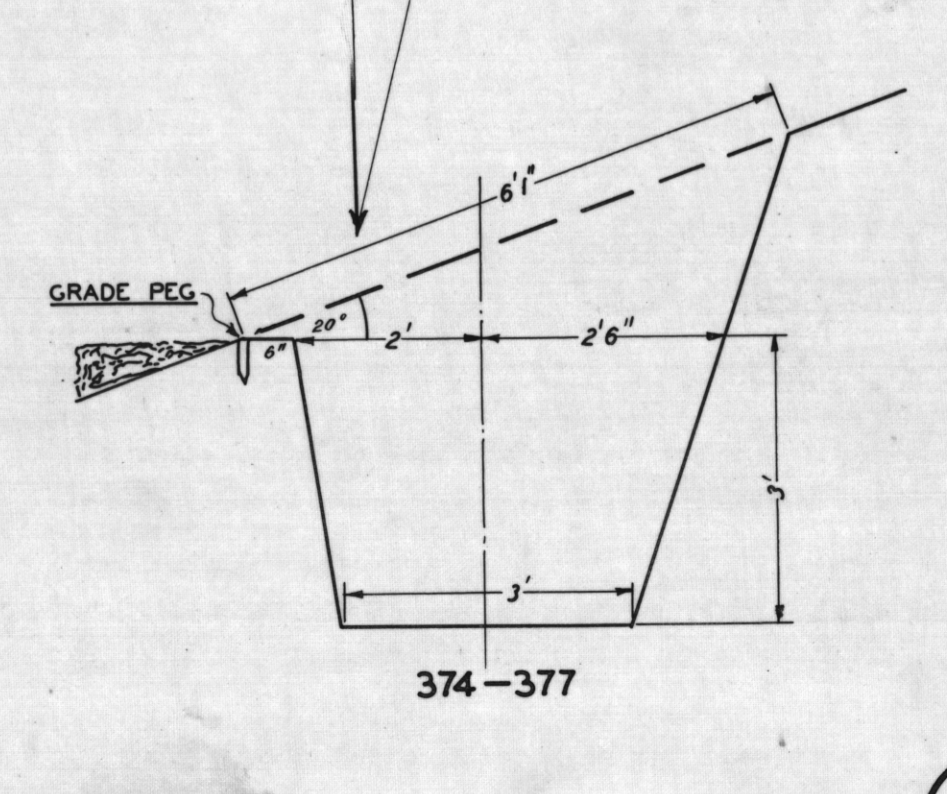
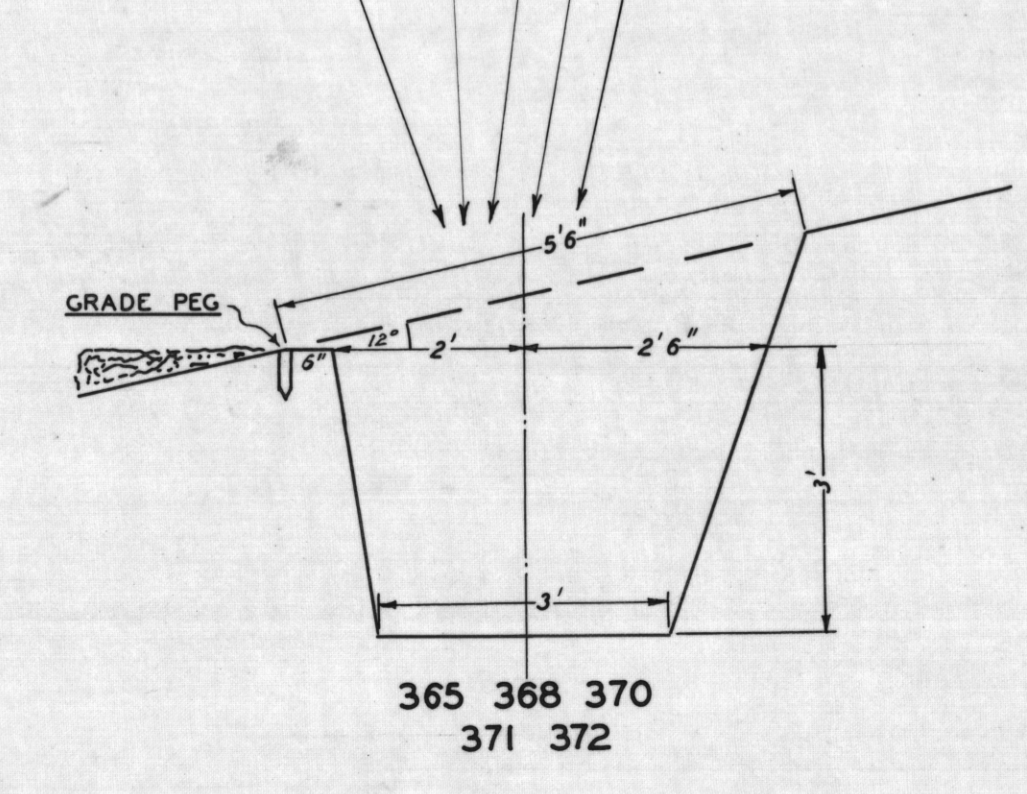
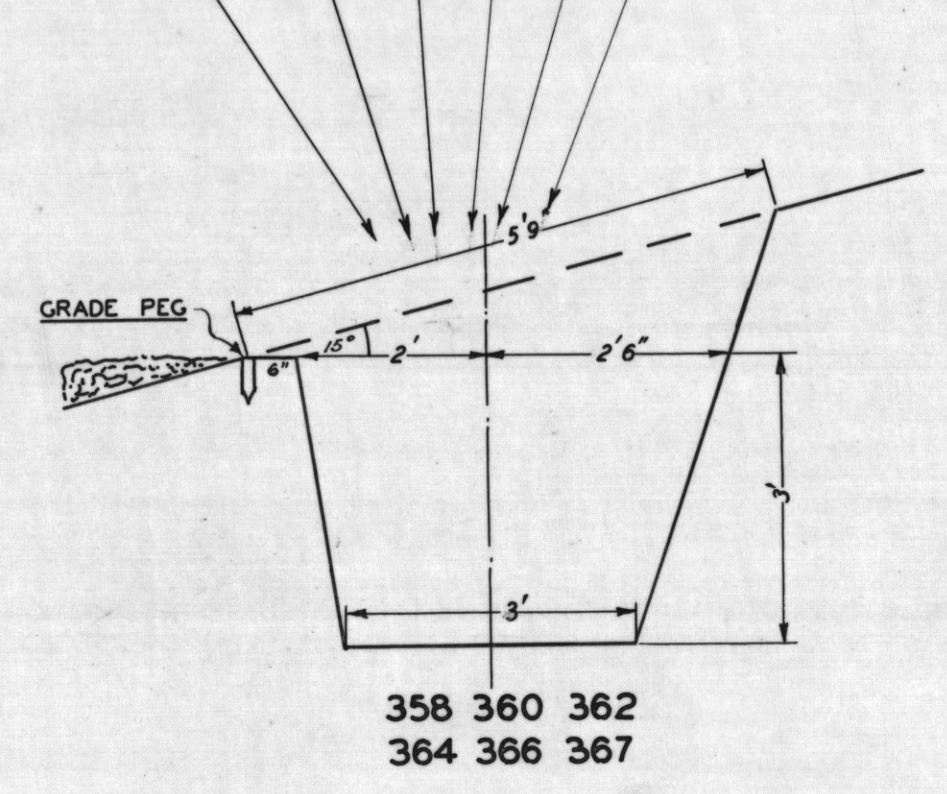
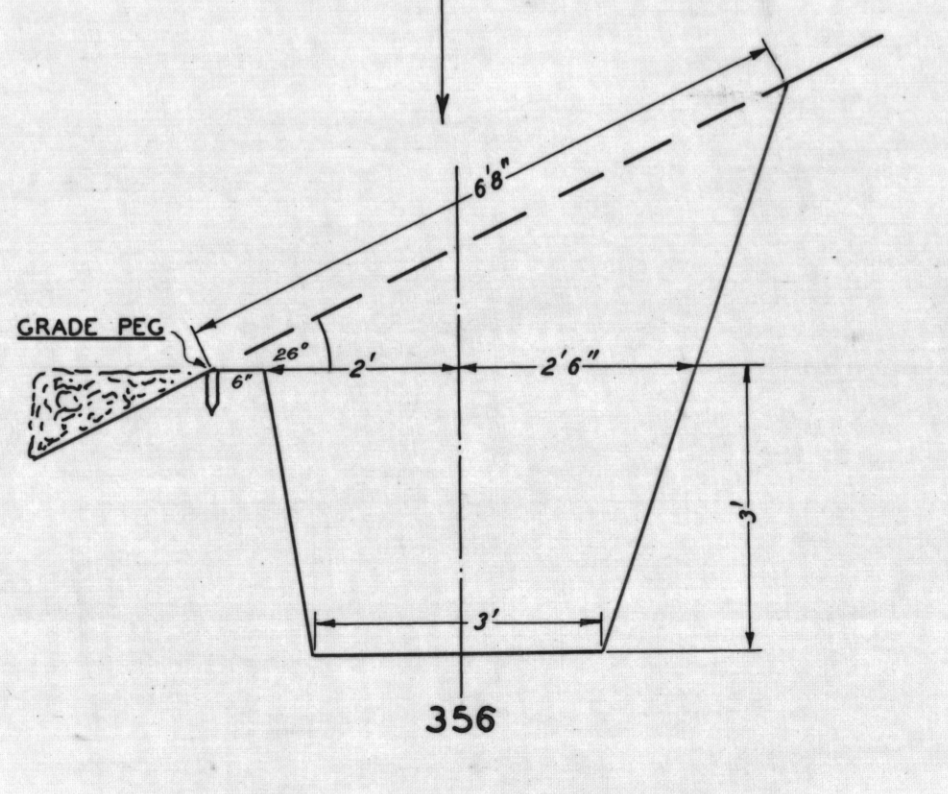
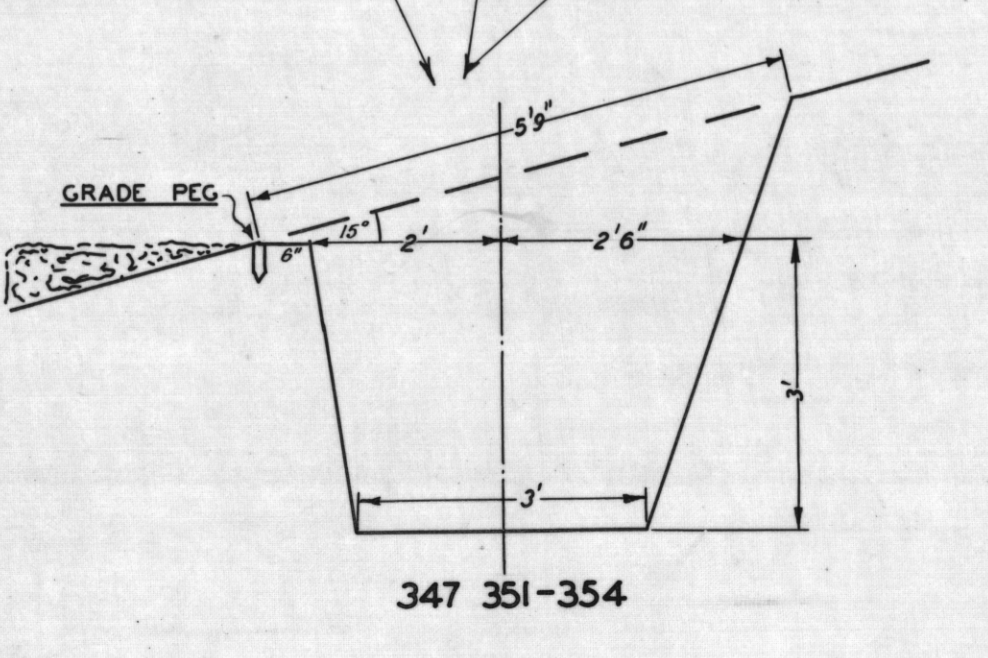
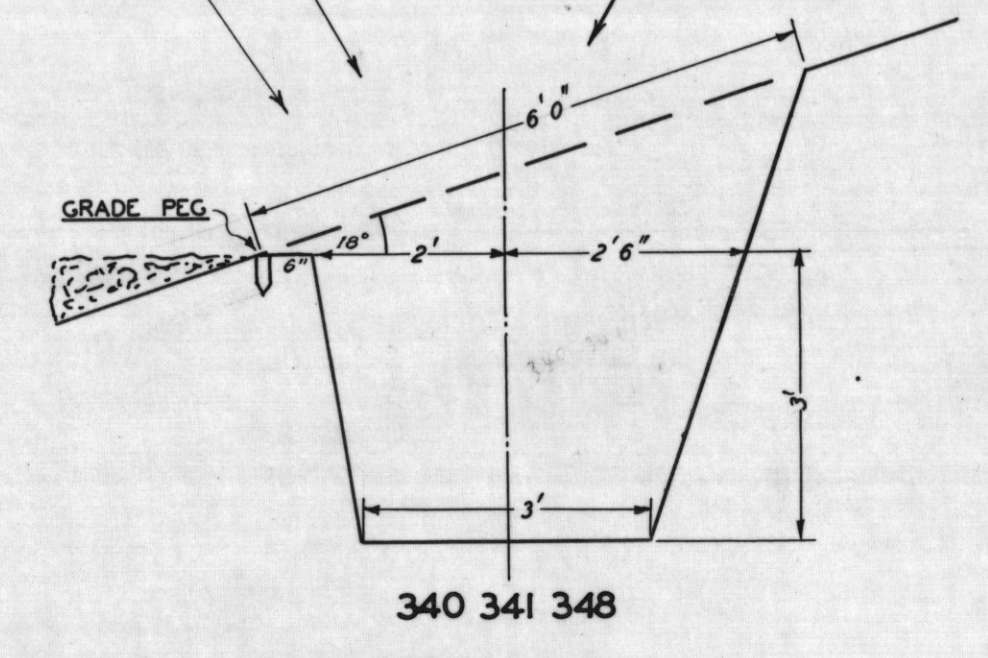
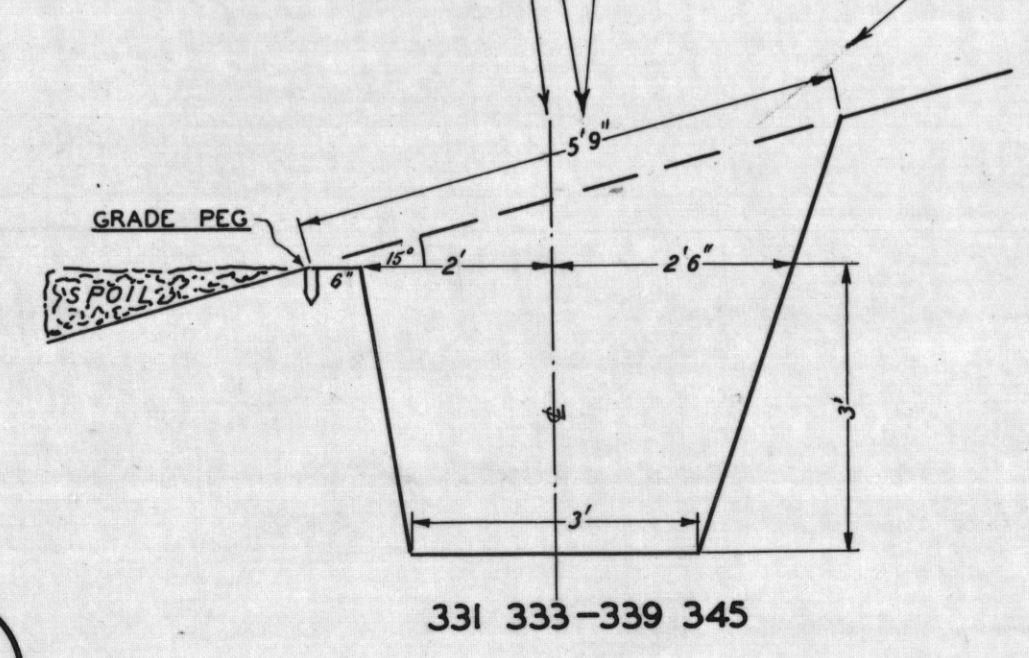
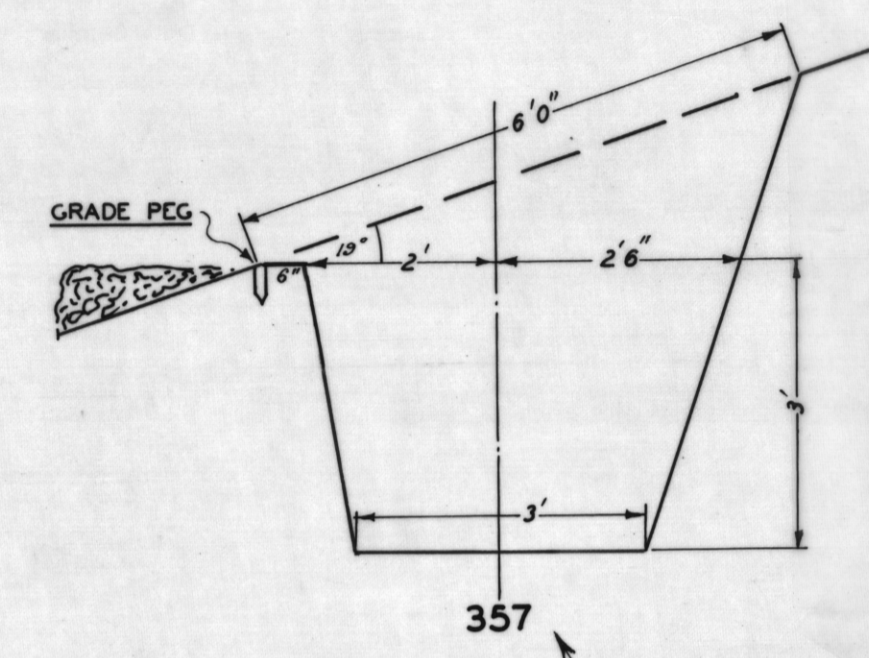
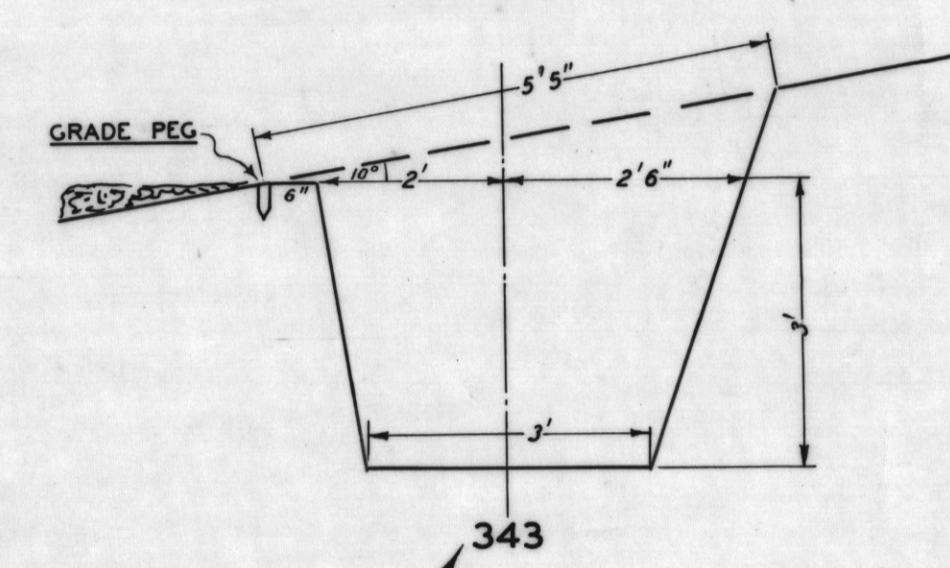
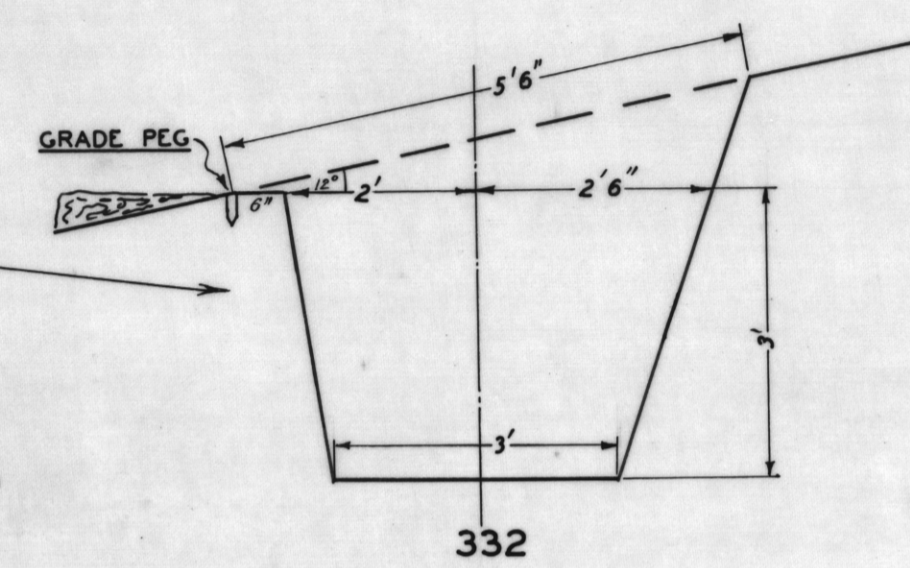
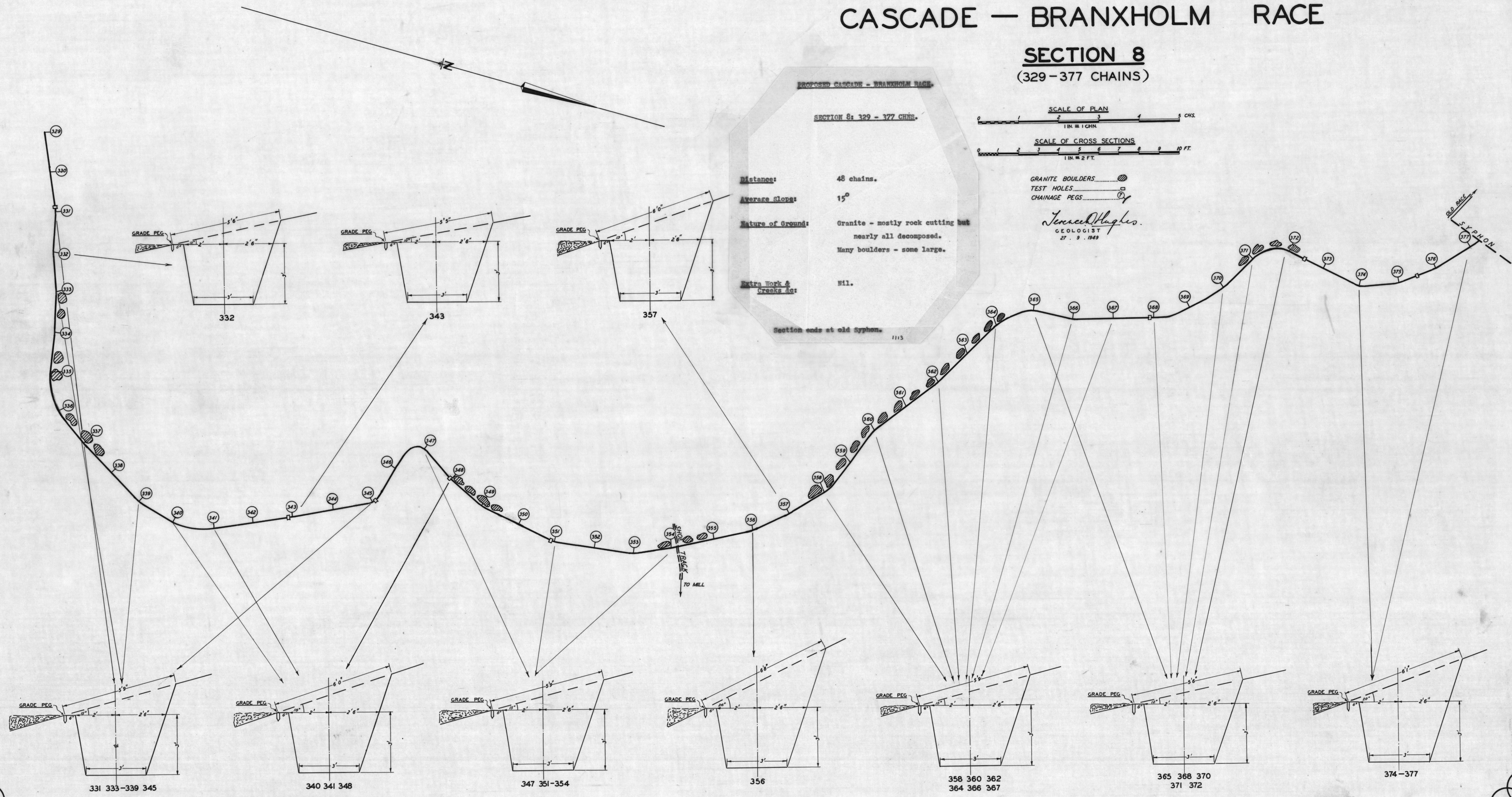
Distance: 48 chains.  
 Average Slope: 15°  
 Nature of Ground: Granite - mostly rock cutting but nearly all decomposed. Many boulders - some large.  
 Extra Work & Creaks etc: Nil.

Section ends at old syphon.

SCALE OF PLAN  
 1 IN = 1 CHAIN

SCALE OF CROSS SECTIONS  
 1 IN = 2 FT.

GRANITE BOULDERS.....  
 TEST HOLES.....  
 CHAINAGE PEGS.....  
*Jesse Hughes*  
 GEOLOGIST  
 27. 9. 1849



1113

157

8 cm