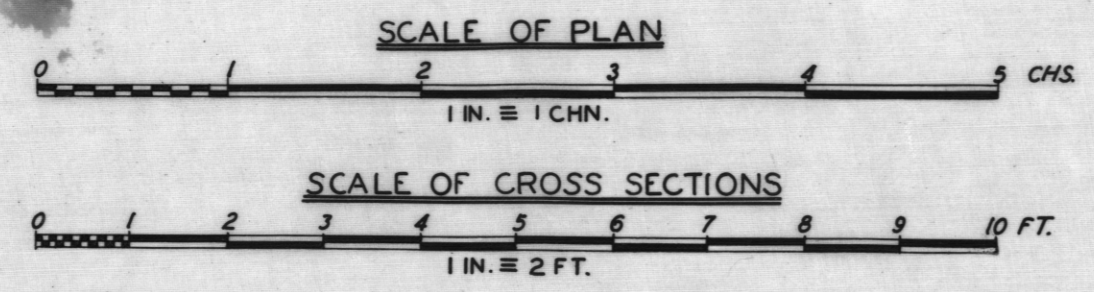


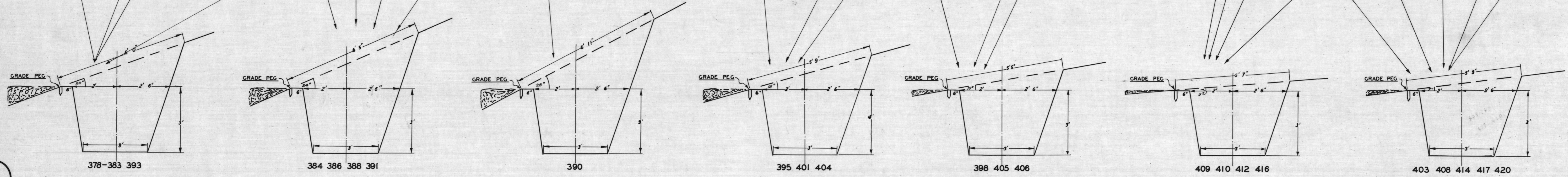
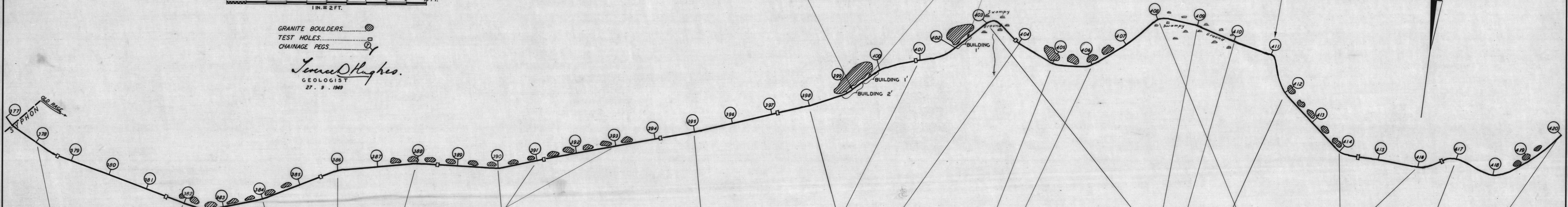
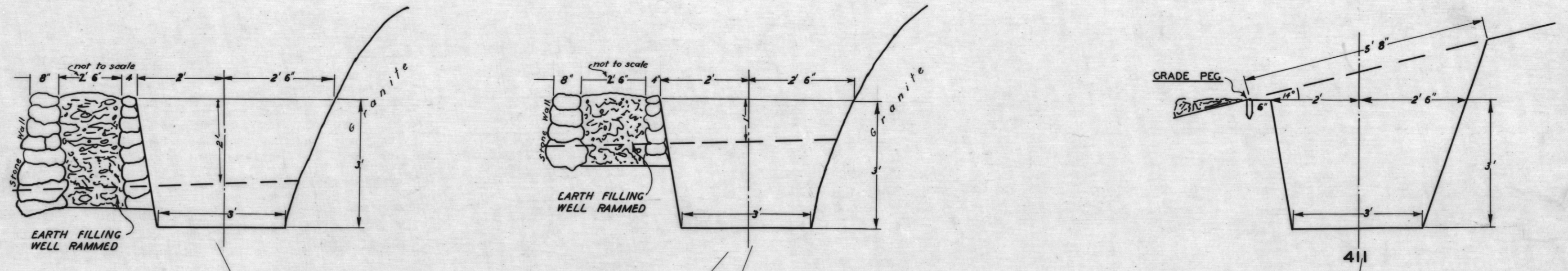
PROPOSED CASCADE — BRANXHOLM RACE

SECTION 9 (377-420 CHAINS)



GRANITE BOULDERS.....
TEST HOLES.....
CHAINAGE PEGS.....

James Hughes.
GEOLOGIST
27. 9. 1949



378-383 393

384 386 388 391

390

395 401 404

398 405 406

409 410 412 416

403 408 414 417 420

1114