

5 cm

Distances: 23 chains but some already cut.

Average Slope: 8°

Nature of Ground: Slate - little hard rock.

Work done: 7 chains of race cut but some rock cutting left.

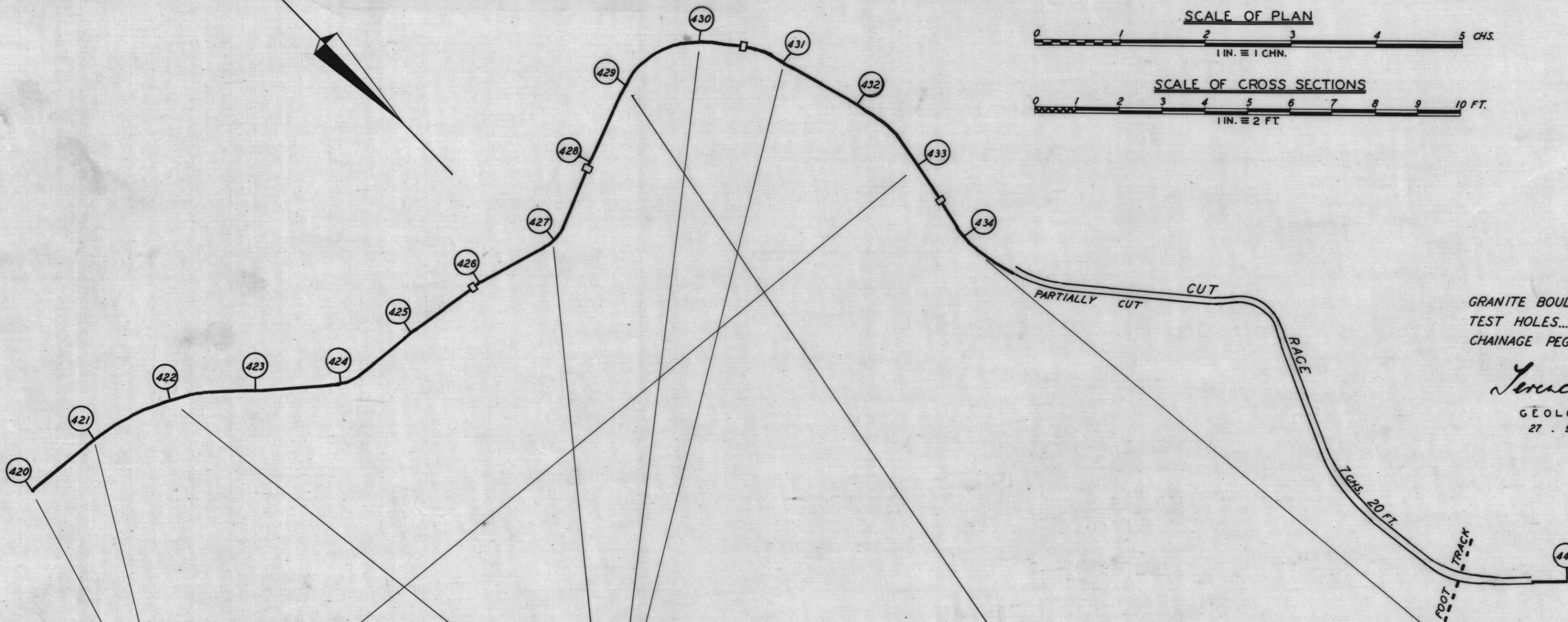
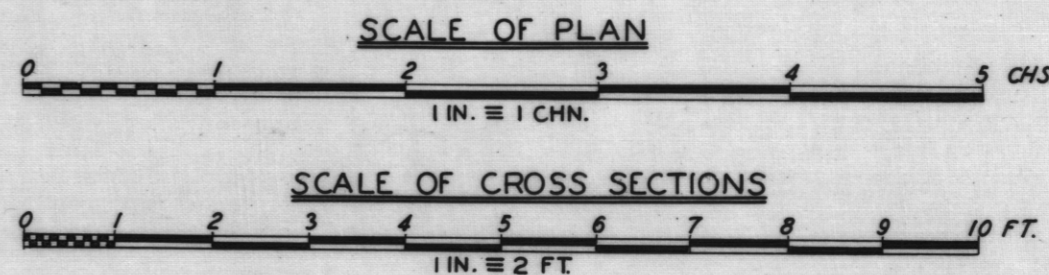
1115

PROPOSED

CASCADE — BRANXHOLM RACE

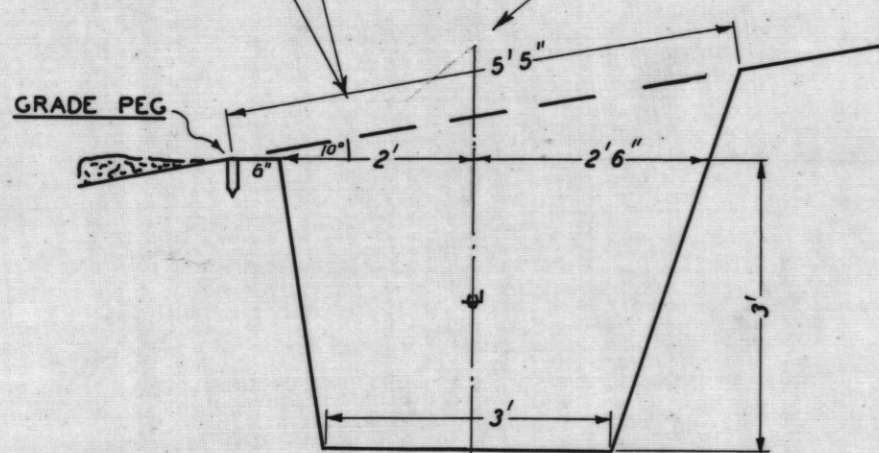
SECTION 10

(420 - 443 CHAINS)

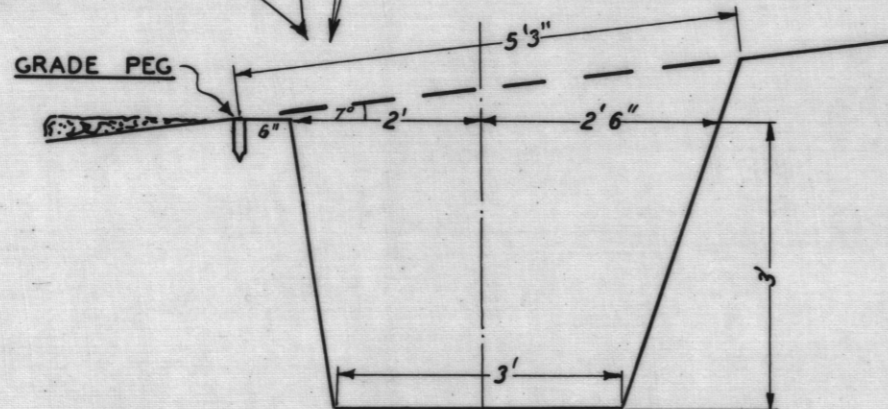


GRANITE BOULDERS.....
TEST HOLES.....
CHAINAGE PEGS.....

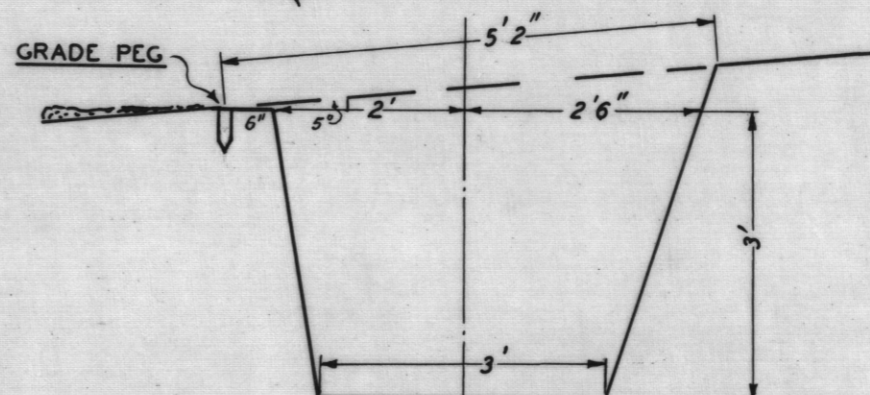
Terence Hughes.
GEOLOGIST
27 . 9 . 1949



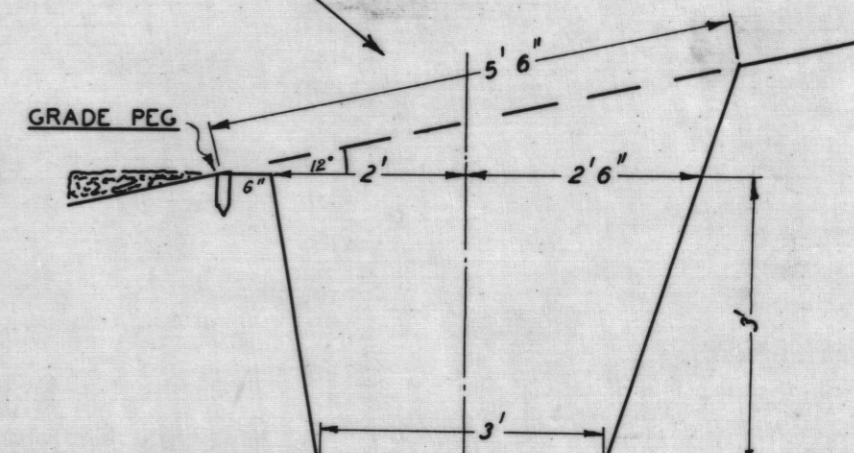
420, 421, 433



422-427, 430, 431



429



434