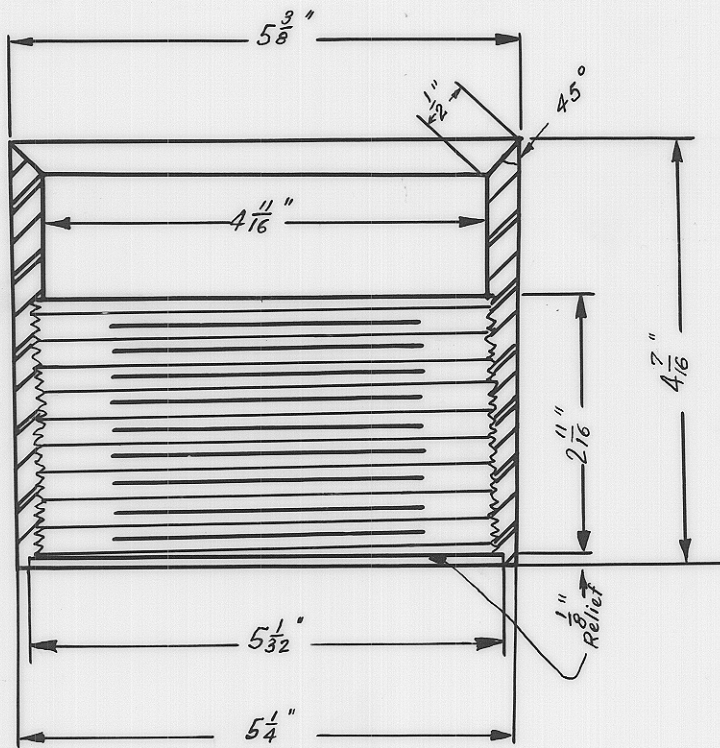


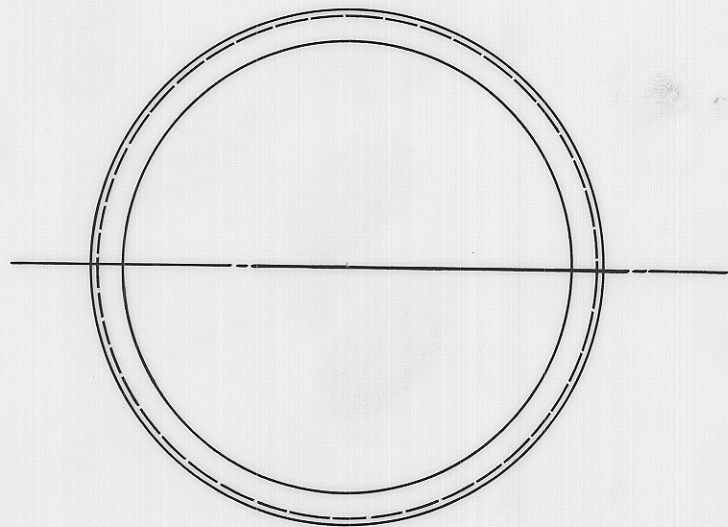
1367

456

5 cm



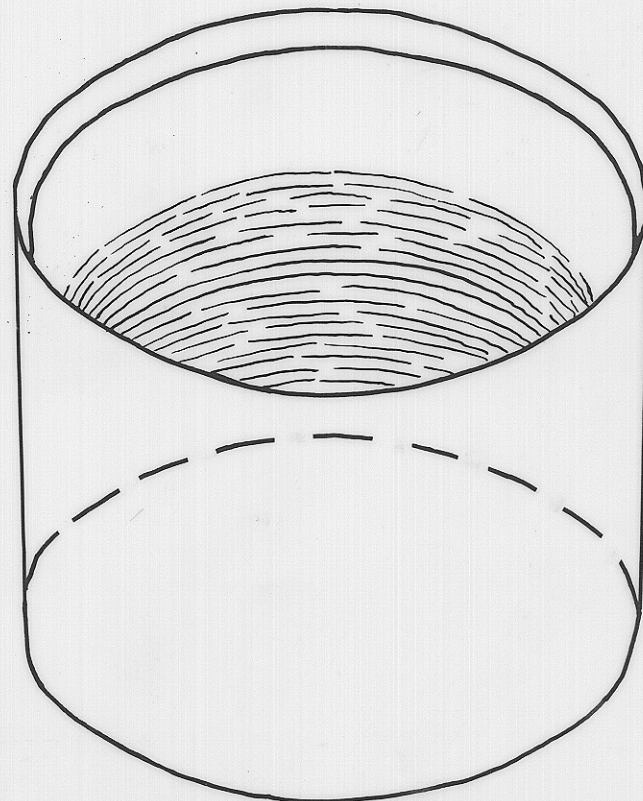
SECTION



PLAN

DRILL CASING SHOE

SCALE $\frac{1}{2}$ FULL SIZE



ISOMETRIC

NOTE The thread to be cut inside the shoe must match the male thread on standard 5 x 8 gauge Stewart & Lloyds water bore casing. The length of thread being $2 \frac{13}{16}$ "

1367-M