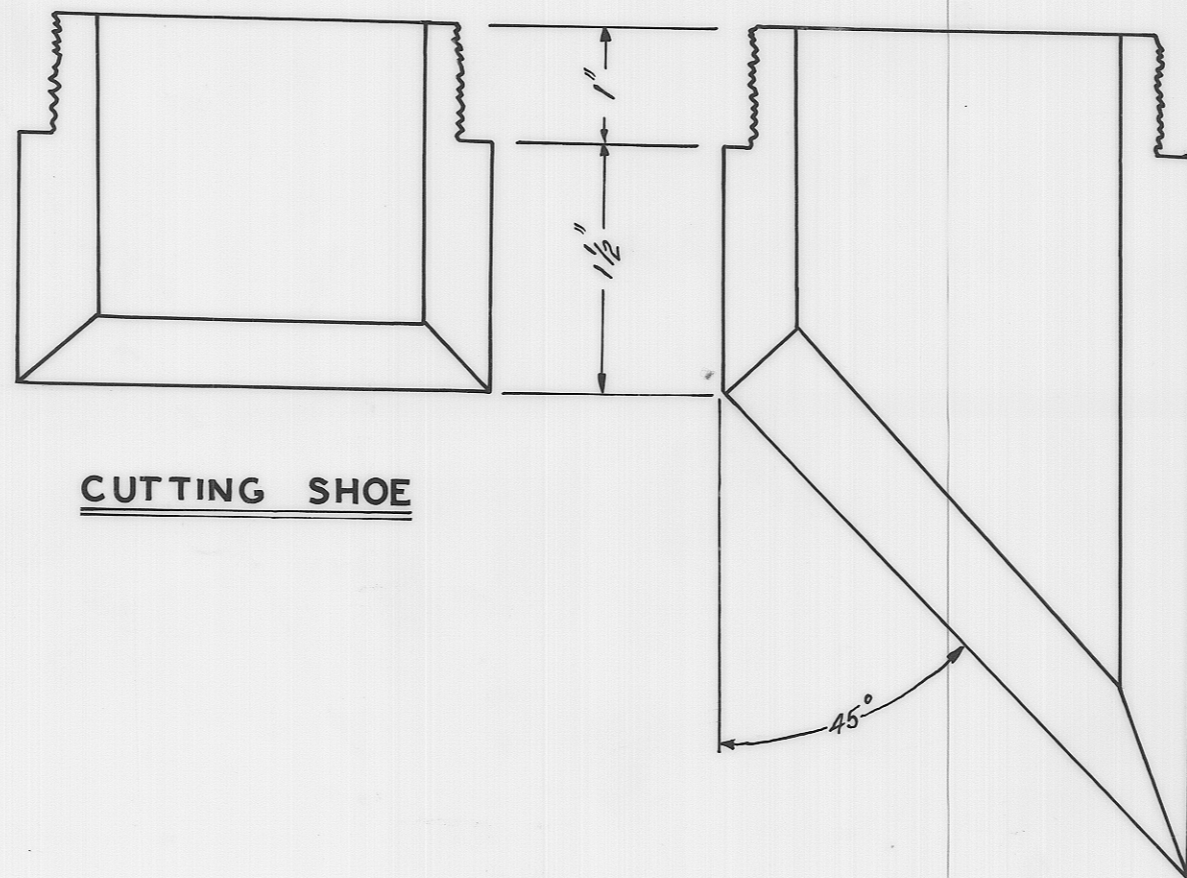
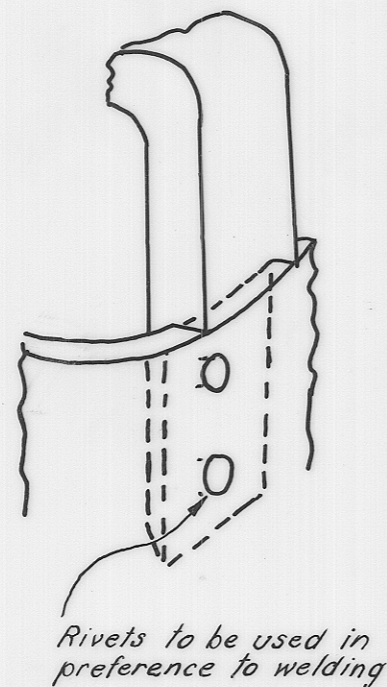
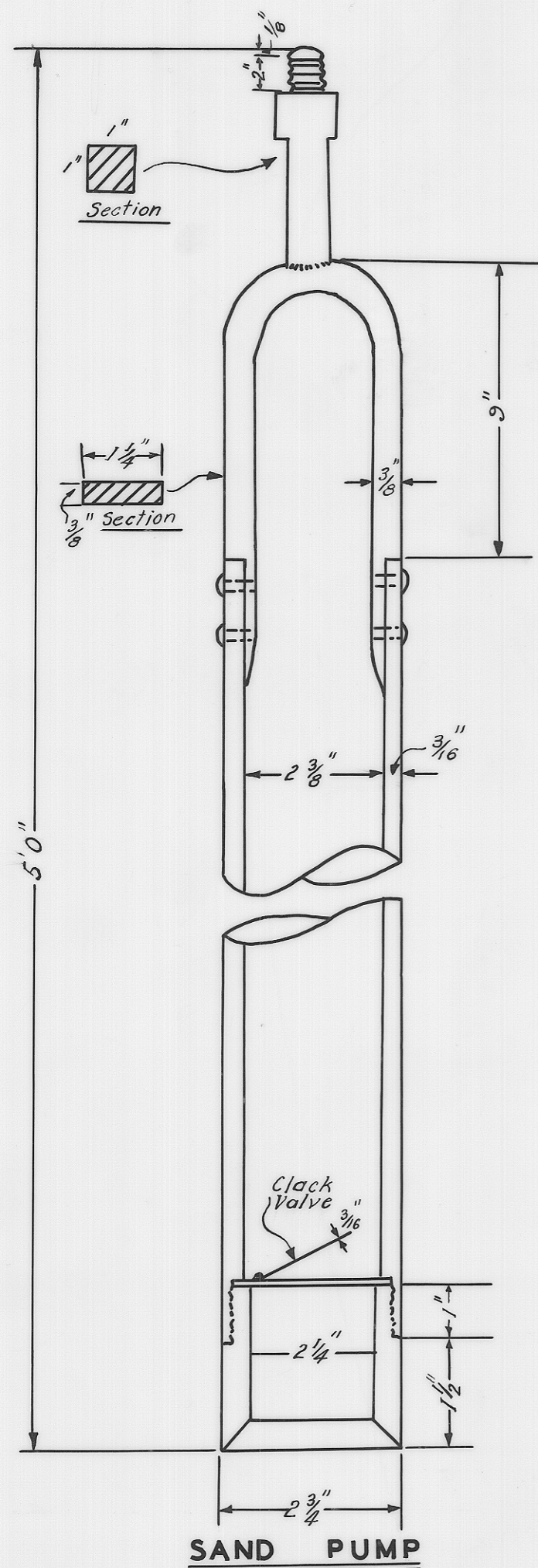


5 cm

HAND DRILLING EQUIPMENT

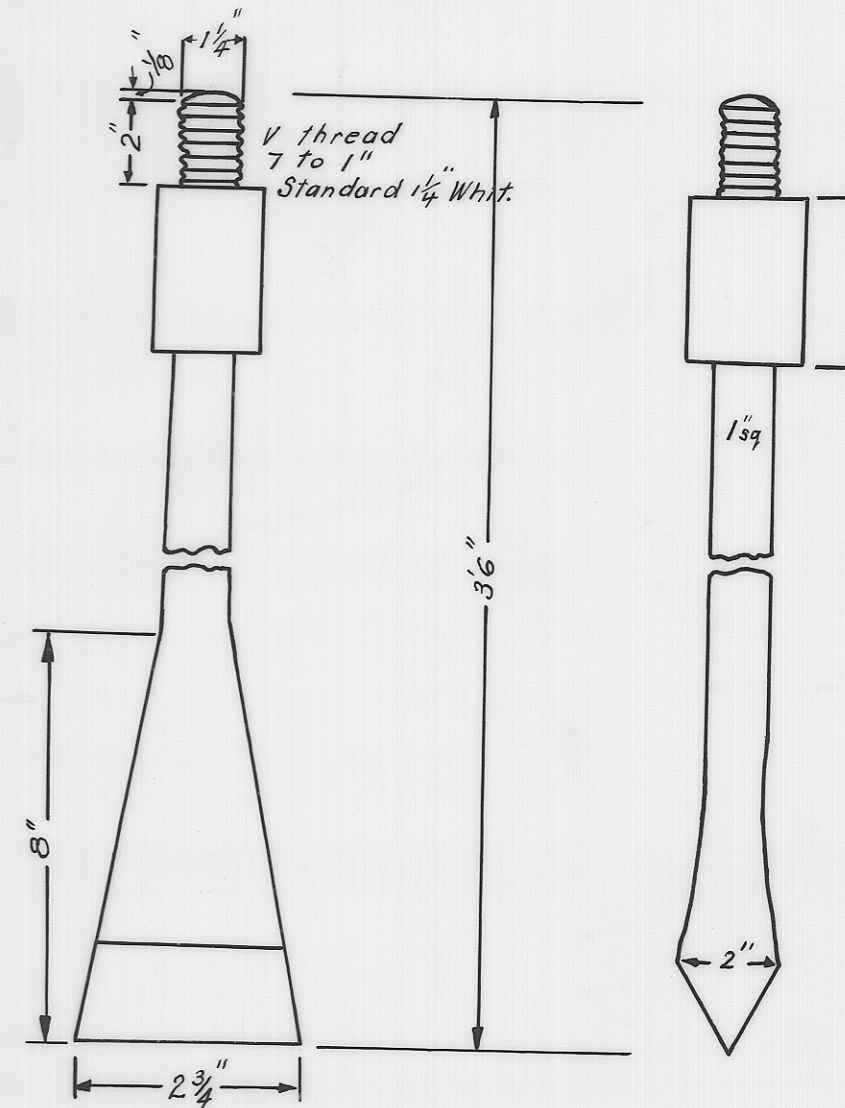
(NOT TO SCALE)

TOOLS TO PASS FREELY THRU CASING 3" INTERNAL DIA.

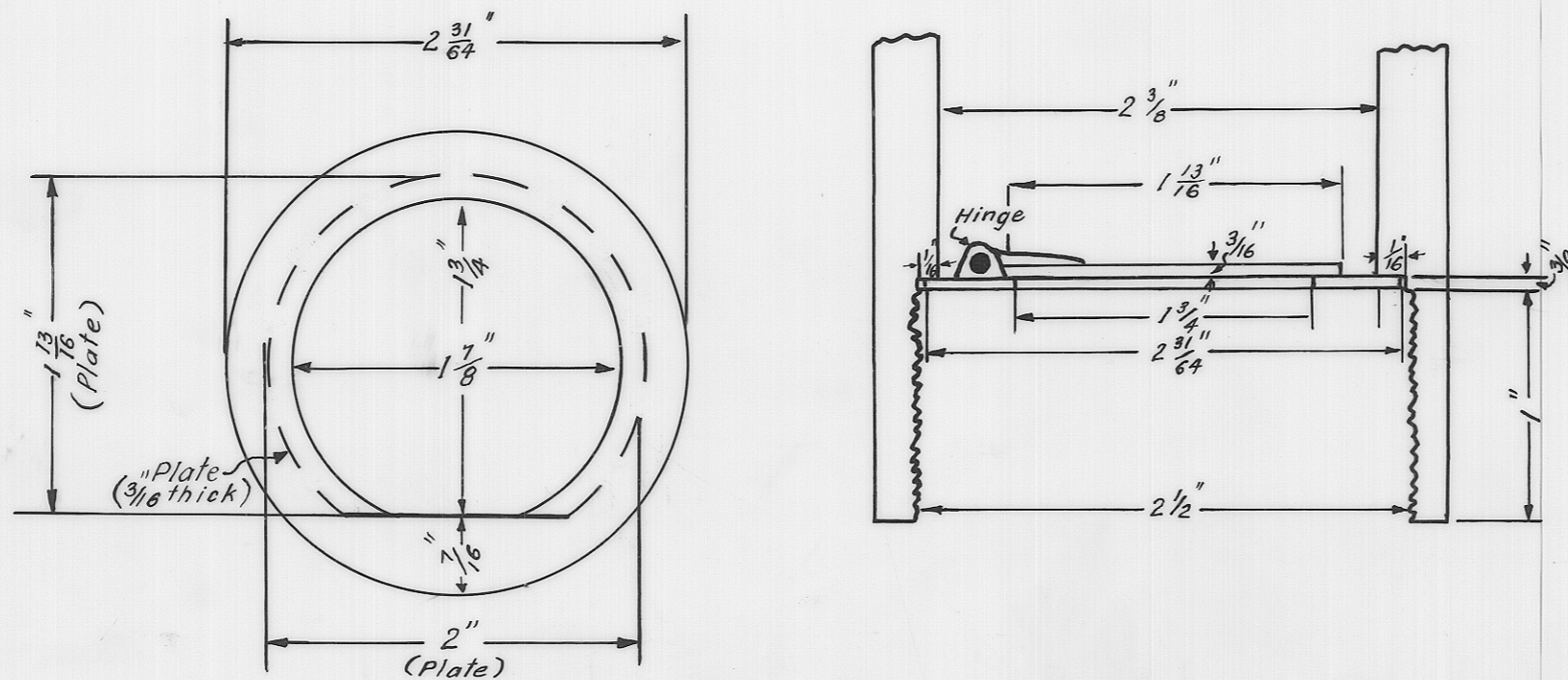


CUTTING SHOE

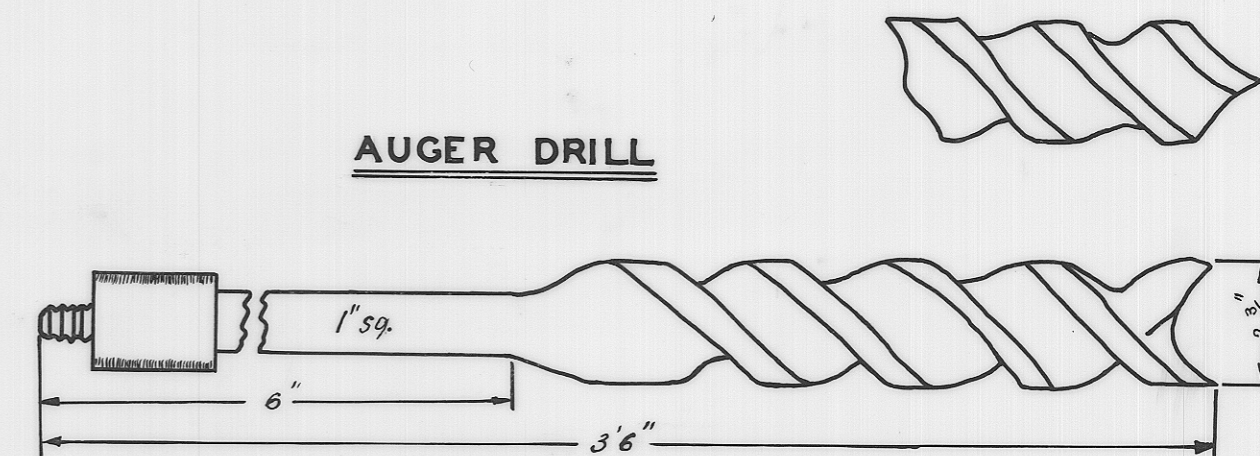
BEVELLED CUTTING SHOE



CHISEL DRILL



DETAILS OF CLACK VALVE



AUGER DRILL