

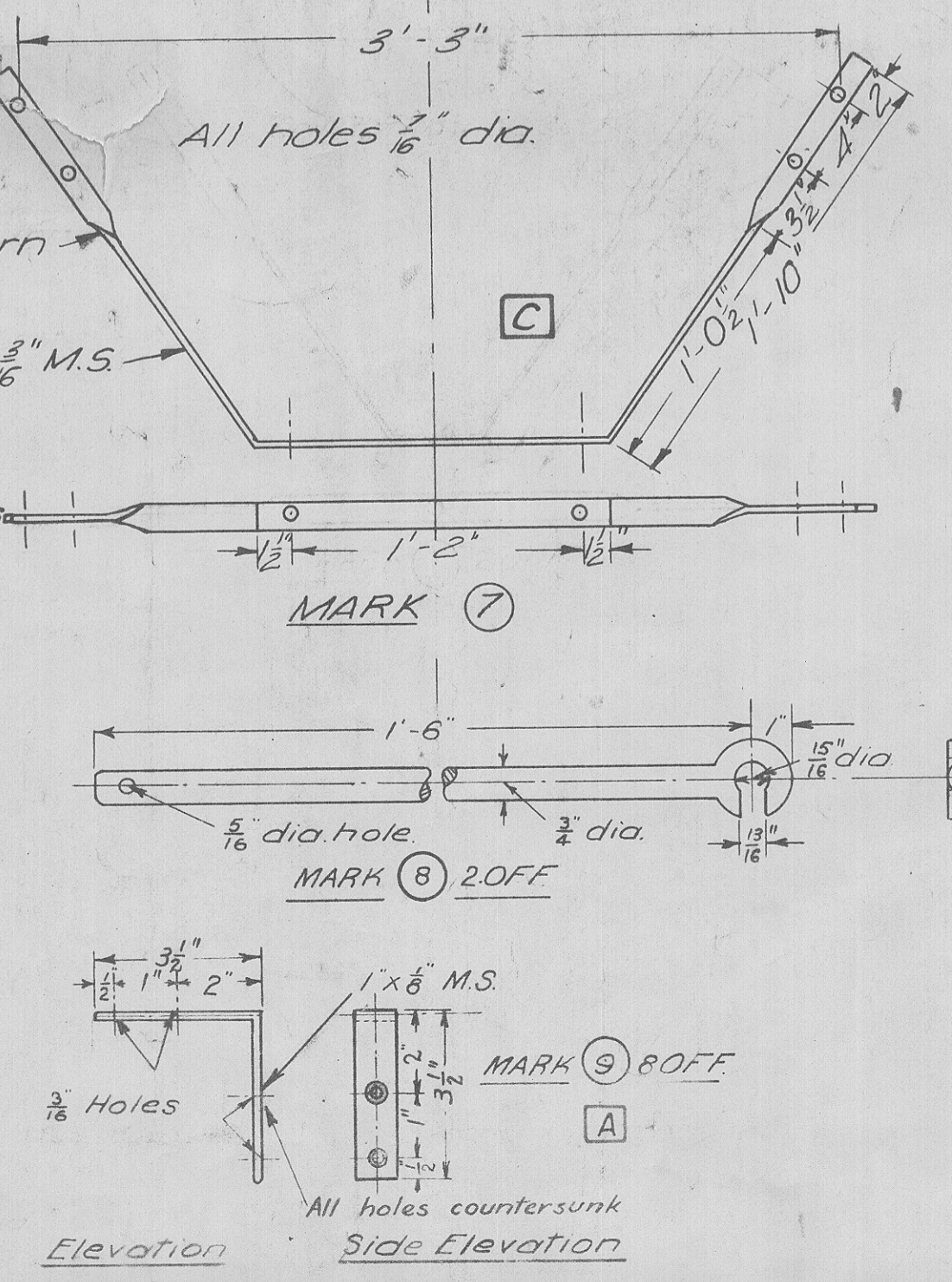
**BOLT LIST.**

N <sup>o</sup> OFF	DIA	Length	Location
2	1 1/2	2	Thru Marks ④ ⑤ & ⑥
2	2	2	Thru Marks ③ ⑥ & Packing Washer
2	3	2	Thru Marks ④ ⑤ & Packing Piece
2	3 1/2	2	Thru Marks ③ ④ ⑤ & Packing Piece
*8	2	2	Thru Marks ④ ⑤ ⑦ & sides.
*8	4	2	Thru Marks ④ ⑤ ⑦ Sides & 2 x 2
*4	3	3	Thru Mark ⑦ 2 3/4 x 2 Footrest
7	3/8	4 1/2	Coach Bolts & nuts for Cage Cover Support
4	3/8	6	Coach Bolts & Nuts for Cage Cover Support

All Timber King William Pine, except as stated \*

**TIMBER LIST.**

Size	Length	N <sup>o</sup> OFF	Remarks
12 x 1	5-0	2	Sides of Cage
12 x 1	2-9	2	Ends of Cage
2 x 2	5-0	2	Side Supports
10 x 1 1/2	2-7	2	Seats of Cage
9 x 1 1/2	2-7	2	Seats of Cage
*3 x 2	3-0	1	Footrest * Hardwood
3 x 3	2-0	1	For Cleats
3 x 1	2-7	2	Division in Seats
*2 x 2	5-6	4	Cover Attachment Timber
*1 x 1 1/2	5-6	3	" " " *
*7/8 dia	5-6	2	" " " **



Notes: All steelwork and timber to be painted one coat of primer to be followed by one and two coats of Grey Paint on Steel and Woodwork resp. Quantities are for one cage complete.

**ALTERATIONS**

Winch support, drainage holes, and pipe spacers added and steelwork details amended.

A 30-5-48

Canvas Cover and Wooden Frame added. Cage Cover Assembly. Timber & Bolts added to material lists. Length of Footrest changed from 2'-11"

B 30-10-50

Footrest altered

C 2/11/53

Supersedes drg# 2252.

THE HYDRO-ELECTRIC COMMISSION

RIVER GAUGING

DETAILS OF CAGE FOR SINGLE CABLEWAY

APPROVED J.P. DIRECTOR J.P.

COMMISSIONER

10-10-44

1 1/2, 3 & 6 = 1-0

**B7485**

A B C

G. Sheil

7-10-48