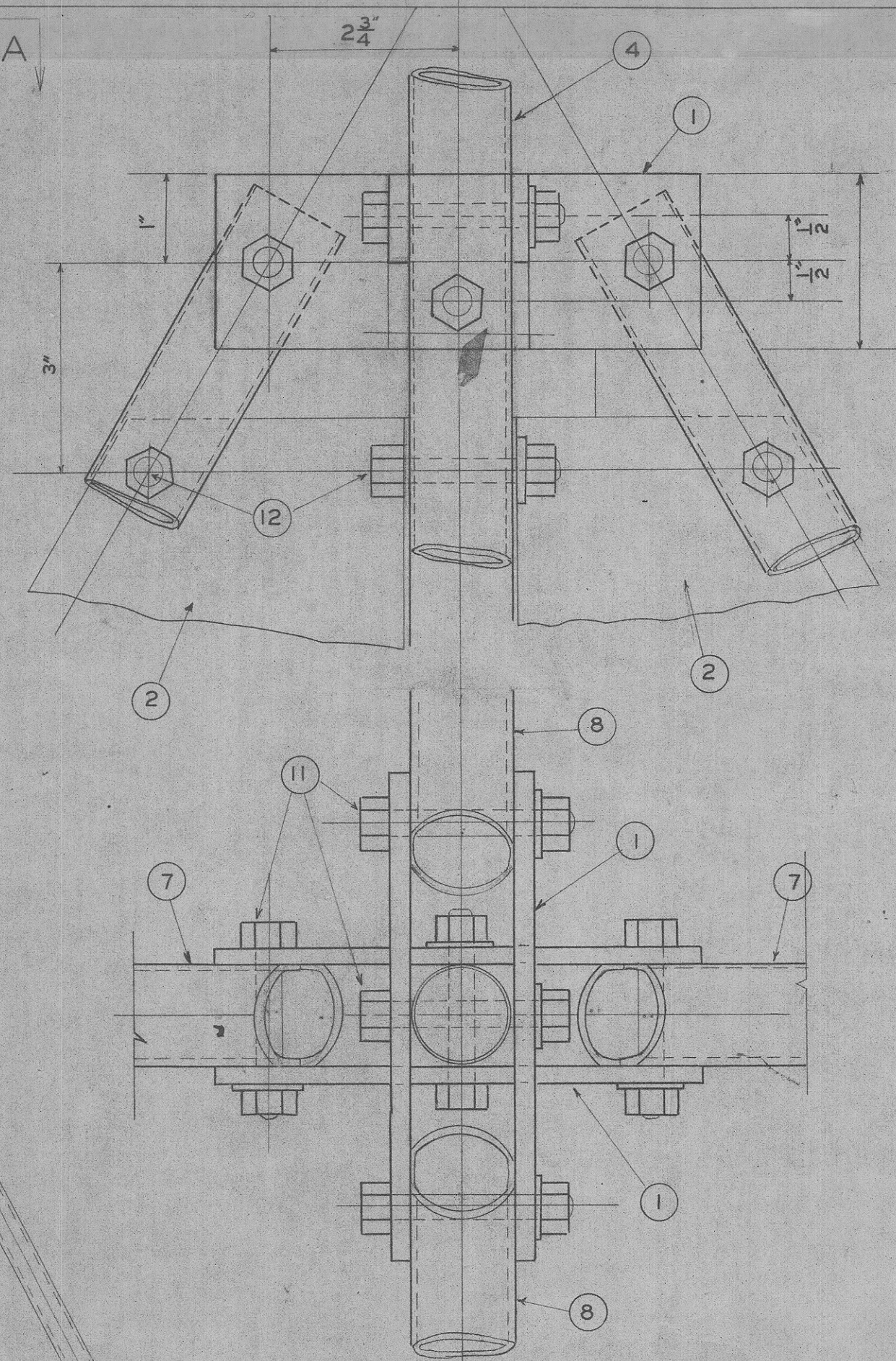
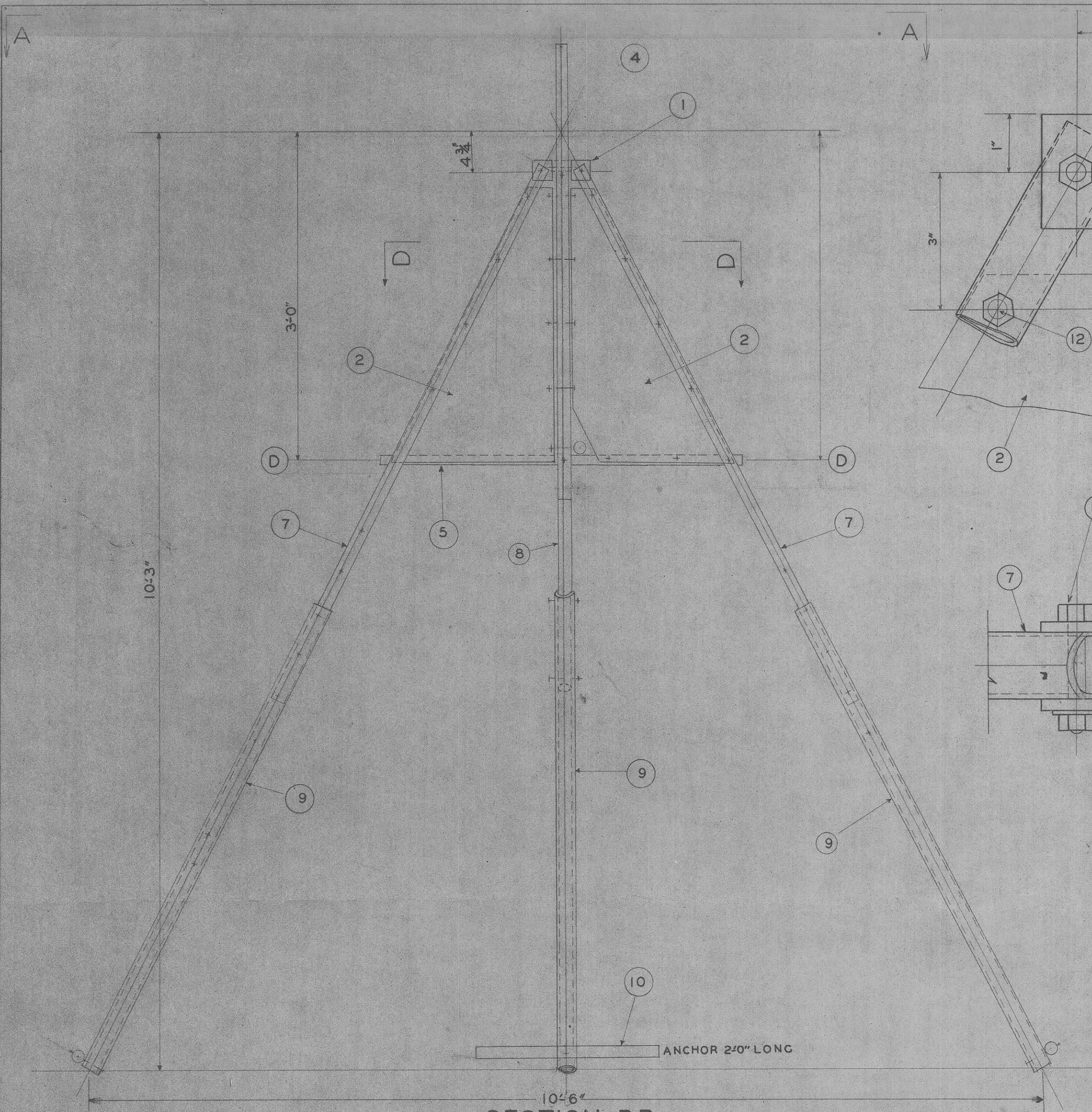
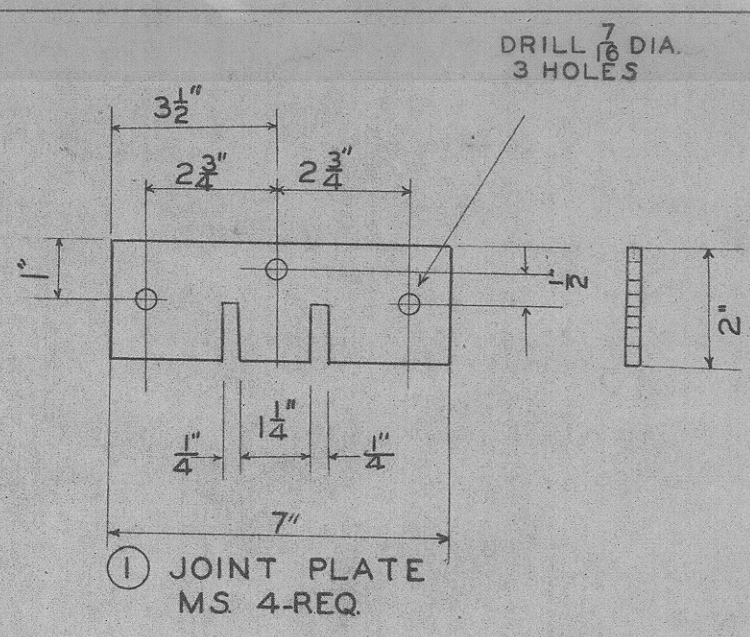


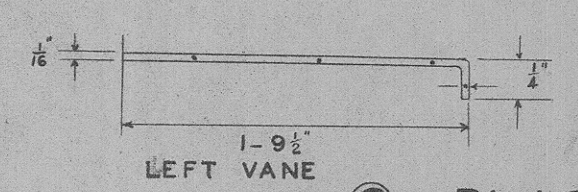
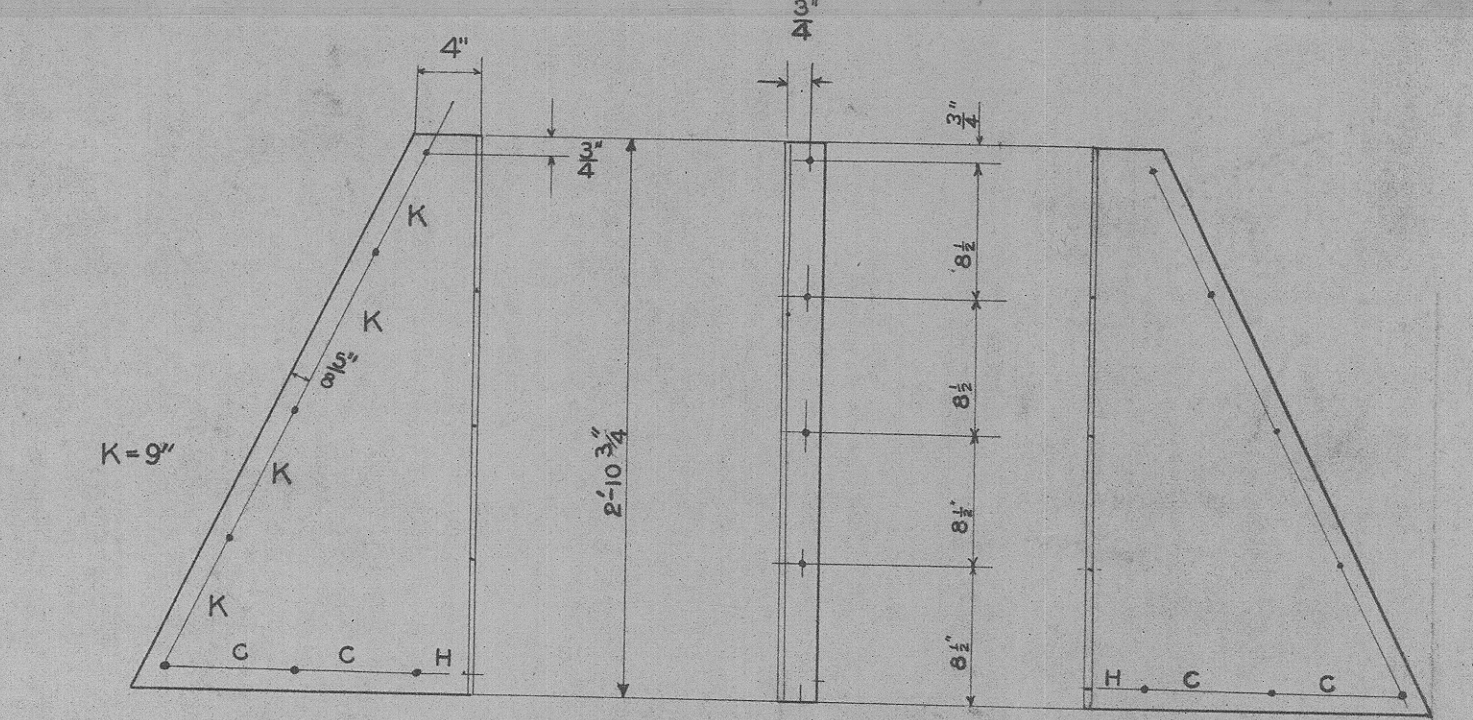
5 cm



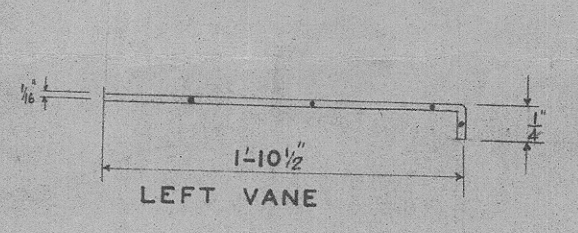
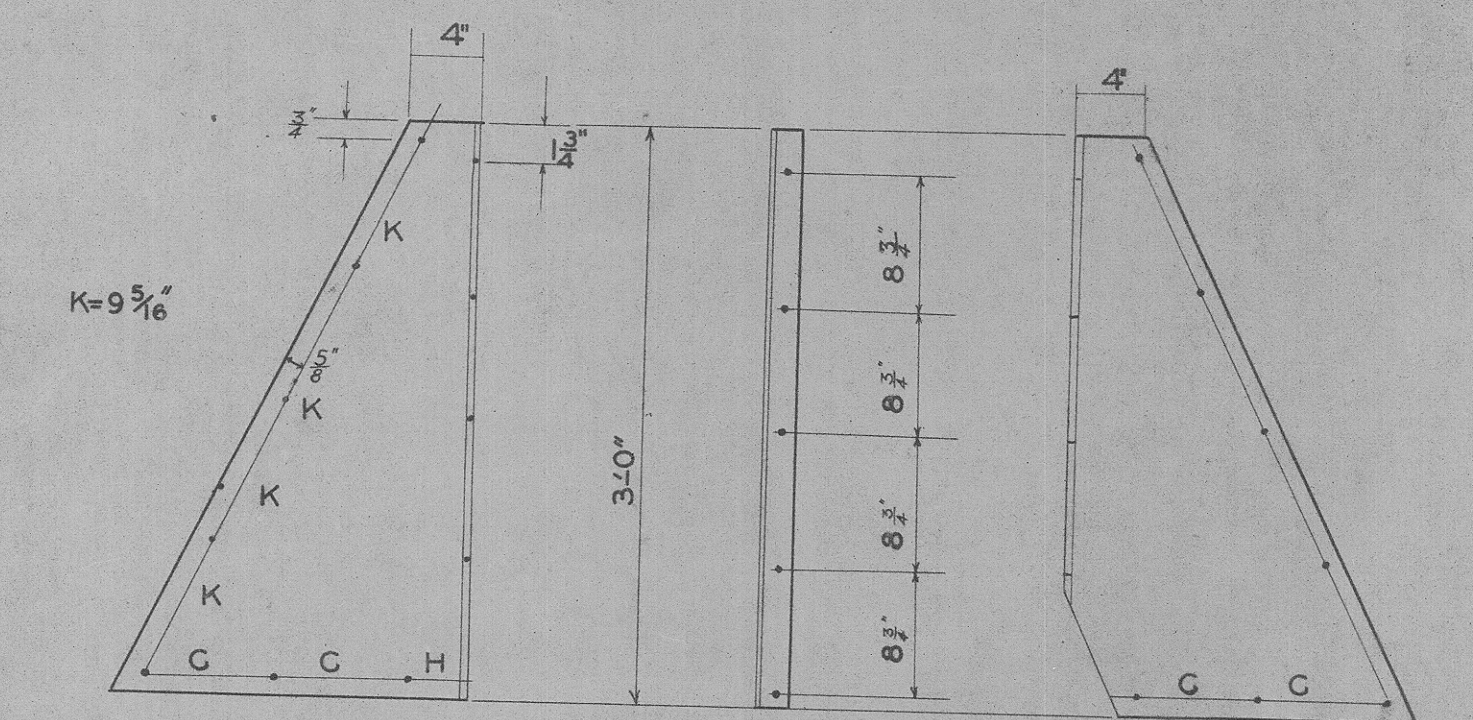
DETAIL OF APEX JOINT.  
SCALE HALF SIZE



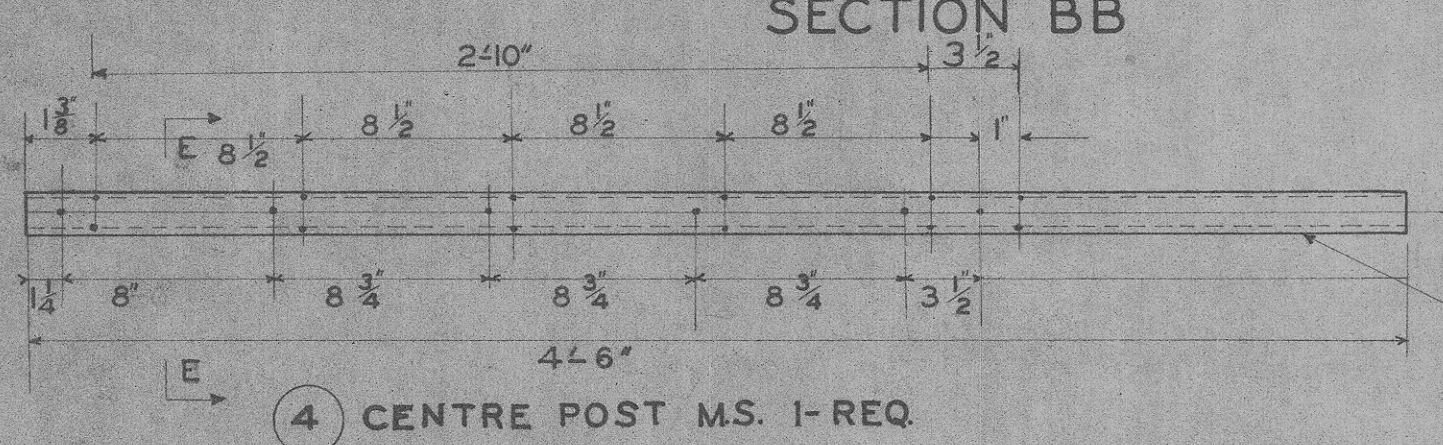
① JOINT PLATE  
MS 4-REQ.



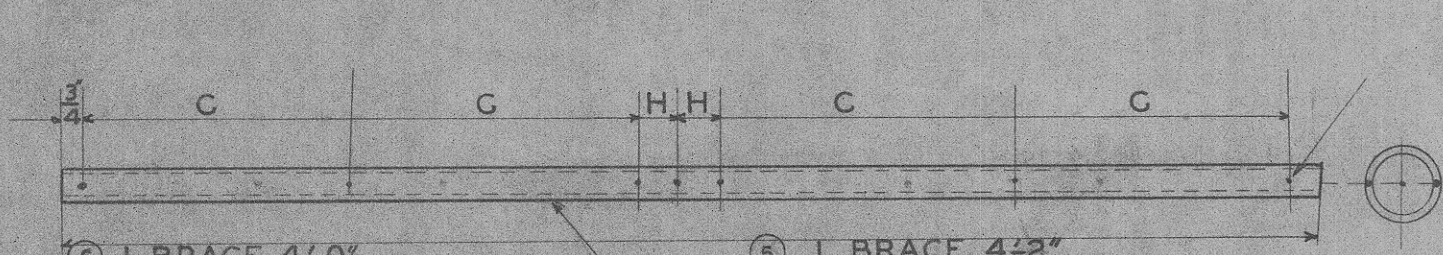
② BLACK MS 2-REQ.



RIGHT VANE

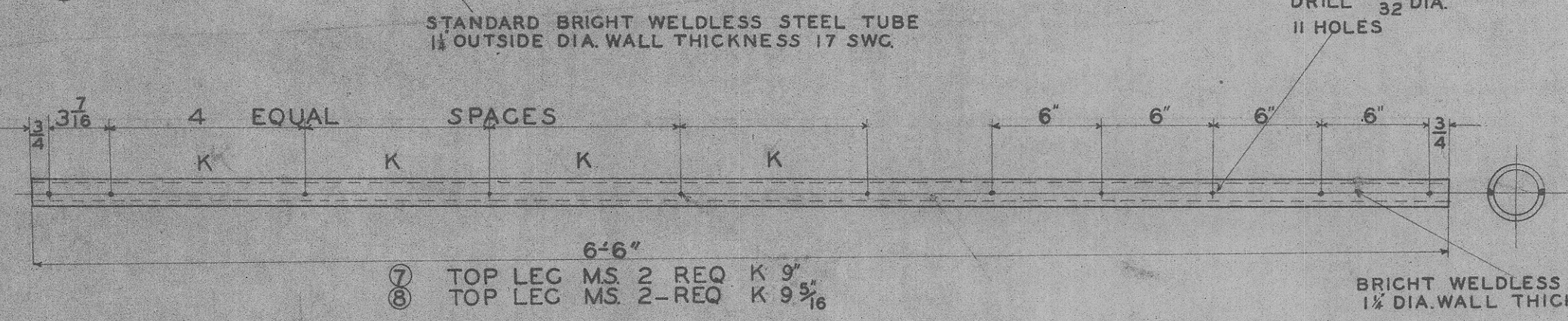


SECTION BB



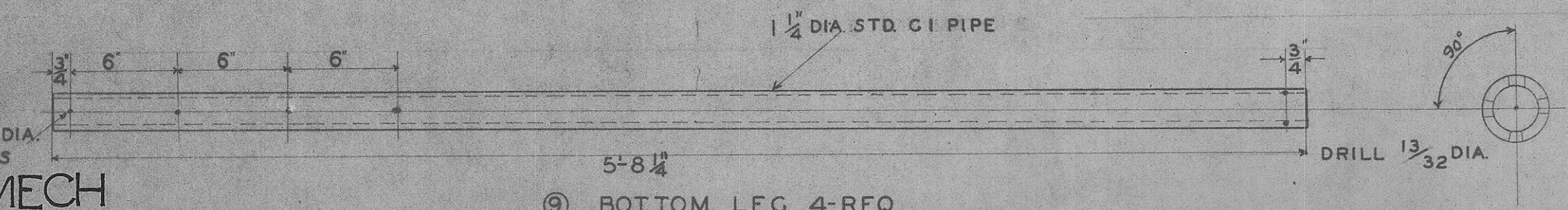
SECTION EE

④ CENTRE POST MS. 1-REQ.

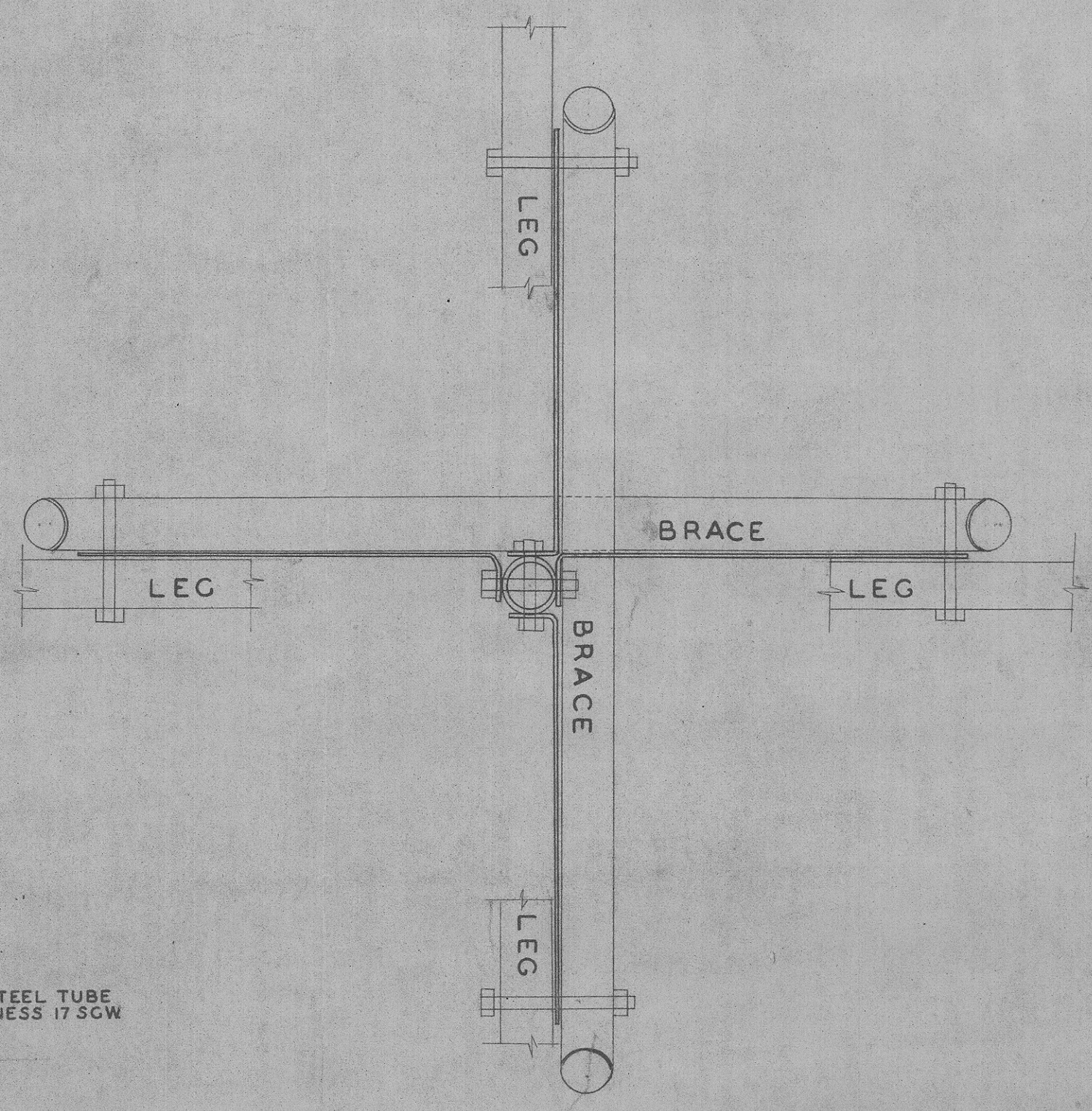


SECTION D-D

⑦ TOP LEG MS 2-REQ K 9'  
⑧ TOP LEG MS. 2-REQ K 9 5/16'



⑨ BOTTOM LEG 4-REQ



13	MS	10	3/8 BSW BOLT X 3/2	FOR ITEMS 5.6.10.
12	MS	42	3/8 BSW BOLT 2 1/4	FOR ITEMS 2.3.
11	MS	14	3/8 BSW BOLTS X 2 1/2	FOR ITEMS 1.5.6.9.
10	MS	4	ANCHOR	1 1/2 STD. PIPE
9	MS	4	BOTTOM LEG.	1 1/2 STD. PIPE
8	MS	2	TOP LEG	1 1/2 WELDLESS ST TUBE
7	MS	2	TOP LEG.	1 1/2 WELDLESS ST TUBE
6	MS	1	BRACE	1 1/2 WELDLESS ST TUBE
5	MS	1	BRACE	1 1/2 WELDLESS ST TUBE
4	MS	1	CENTRE POST	1 1/2 WELDLESS ST TUBE
3	MS	2	VANE	
2	MS	2	VANE	
1	MS	4	JOINT PLATE	

THE HYDRO-ELECTRIC COMMISSION, TASMANIA

SURVEY BEACON

COLLAPSIBLE

Placed	Surveyed by	Scale
Checked	Date	1" = 1'-0"
		1 1/2" = 1'-0"
		3" = 1'-0"

B2331