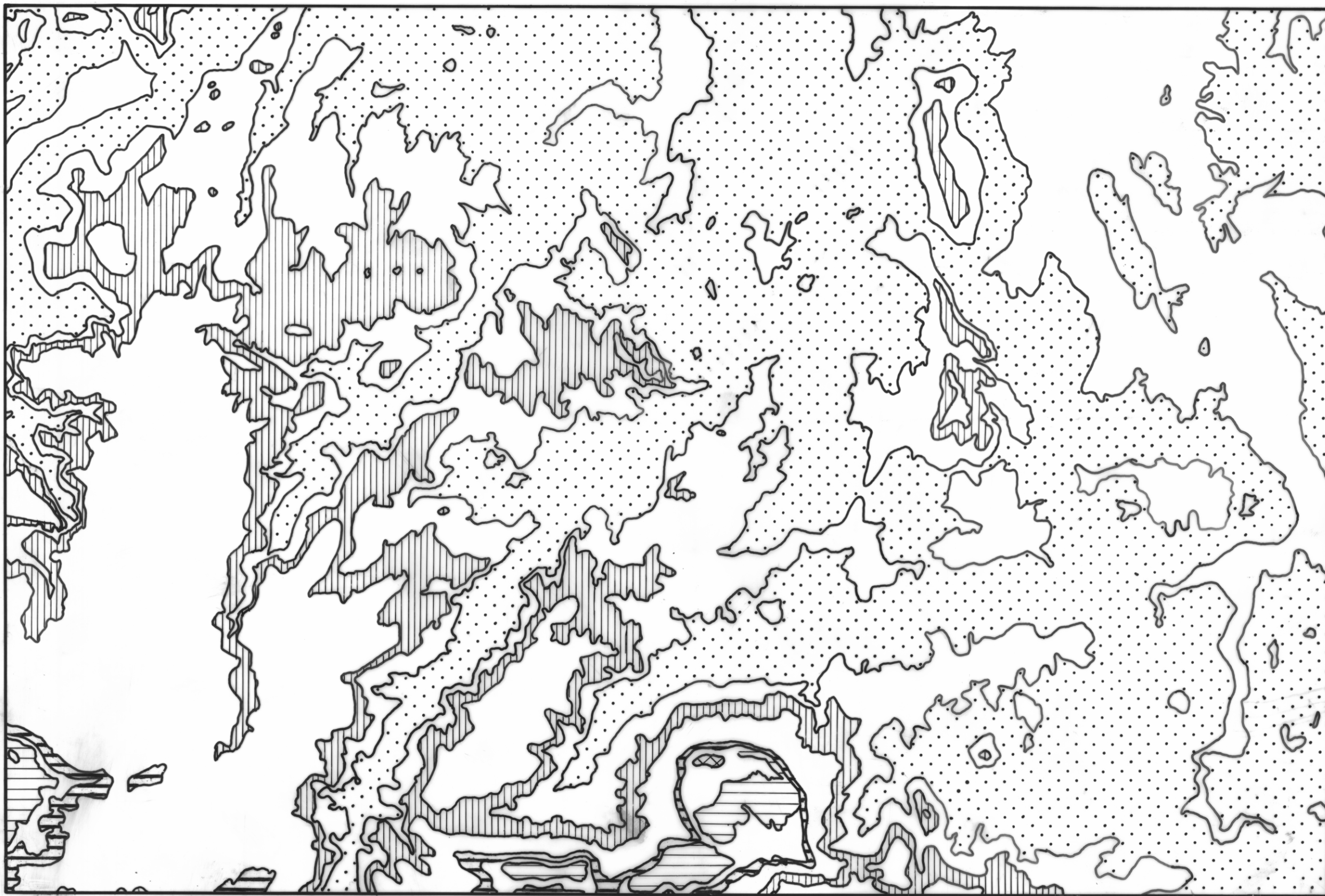


2044




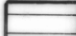

116

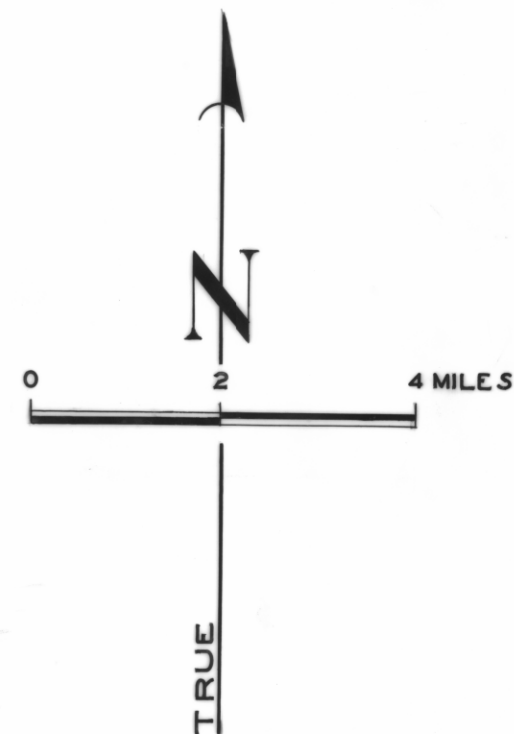
5 cm

HIGH LEVEL EROSIONAL SURFACES — SHEFFIELD



LEGEND

-  300-900
LOWER COASTAL SURFACE
-  1200-1500
HIGHER COASTAL SURFACE
-  2400-2700
ST CLAIR SURFACE
-  3000-3500
LOW PLATEAU SURFACE
-  3900-4400
HIGH PLATEAU SURFACE



I. B. JENNINGS
SEN. GEOLOGIST
1962