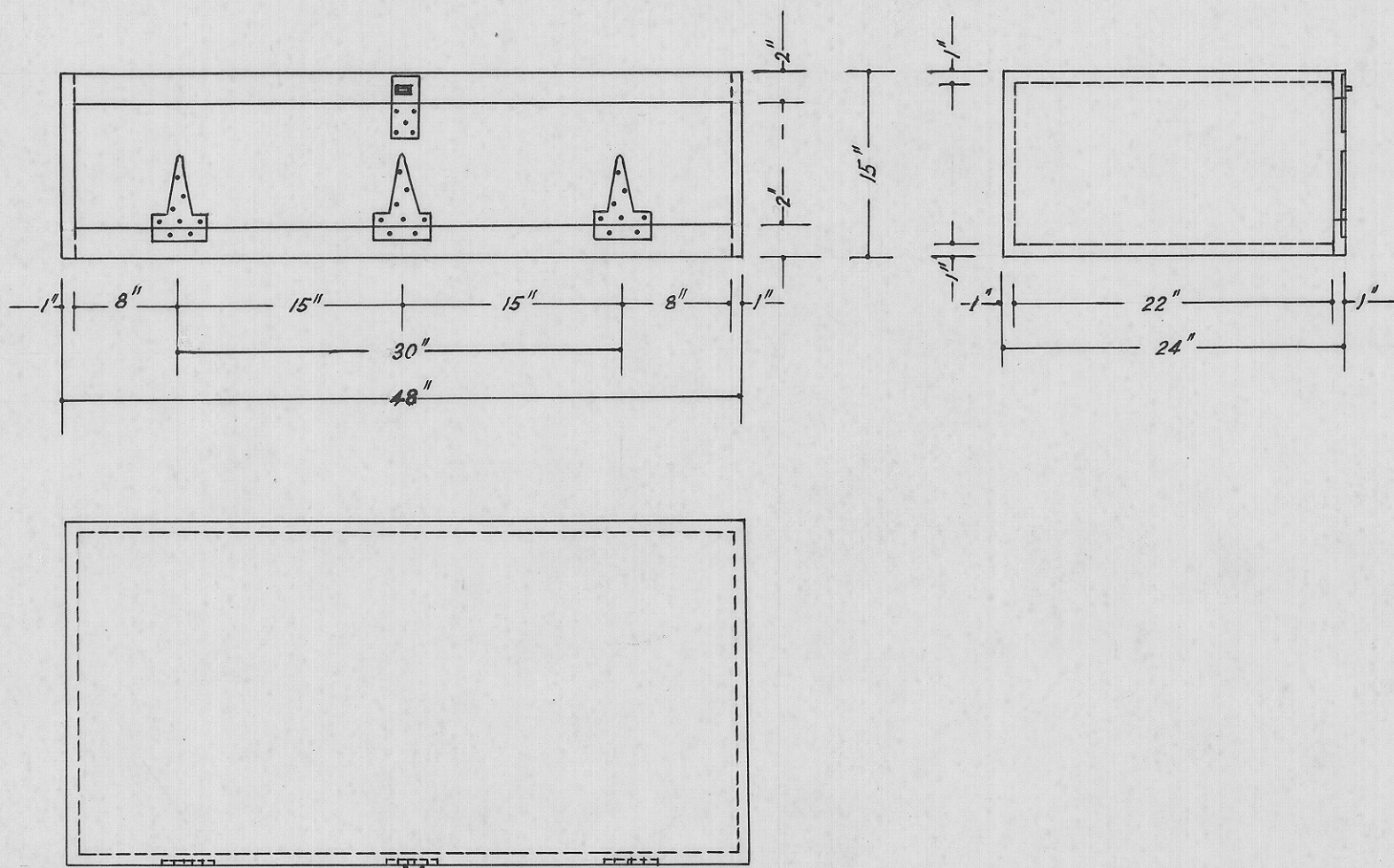
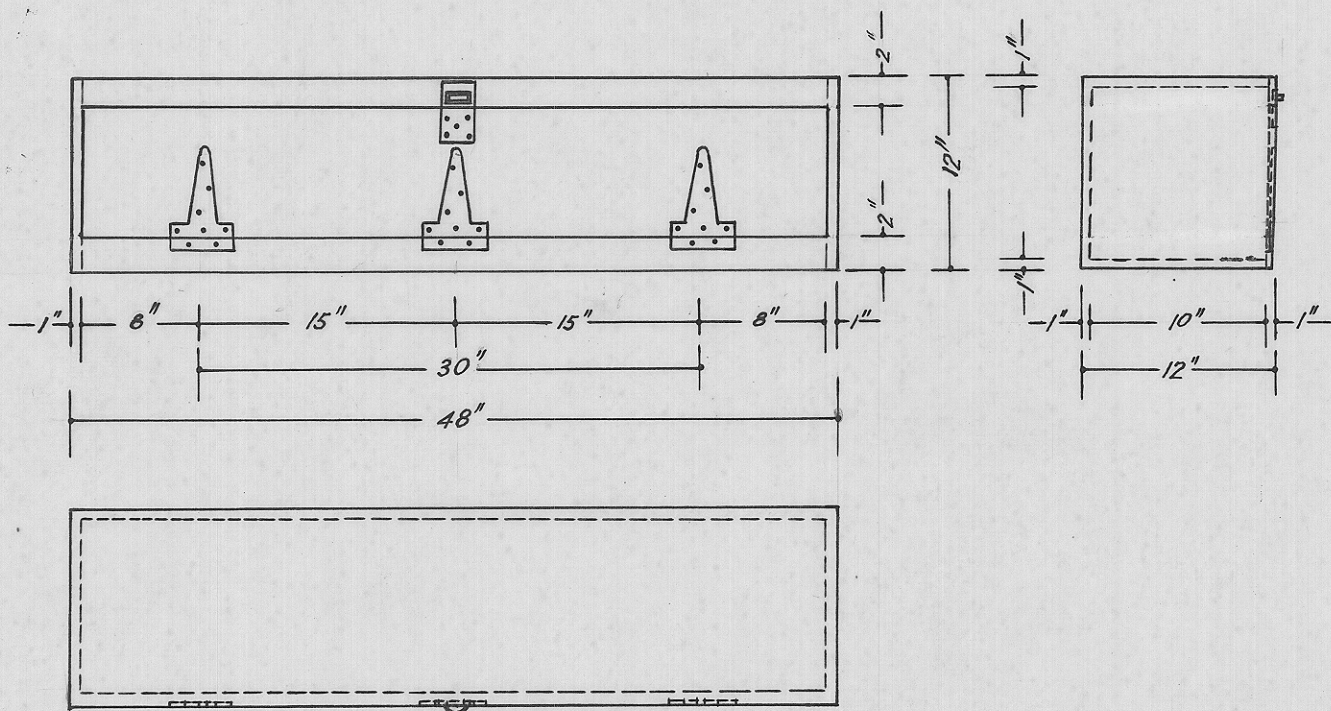


2536

573

5 cm



DEPARTMENT OF MINES — TASMANIA

WOODEN FREIGHT BOXES FOR DEPARTMENTAL VEHICLES

DATE *June 1965.* SCALE *Feet.* 0 1/2 1

ENGINEER *P.M. Johnstone*

DRAUGHTSMAN *J.S. Pepper.*

REVISIONS

FILE NO 2536-M