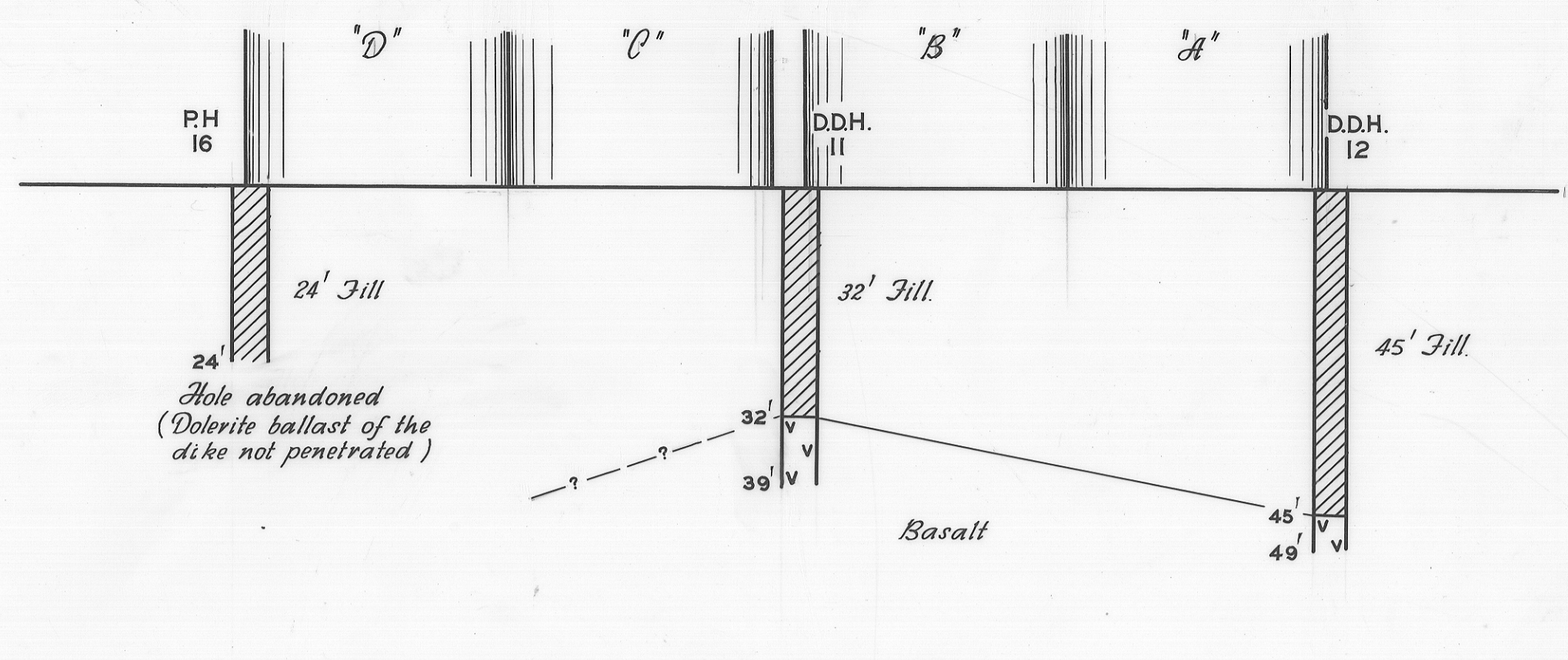
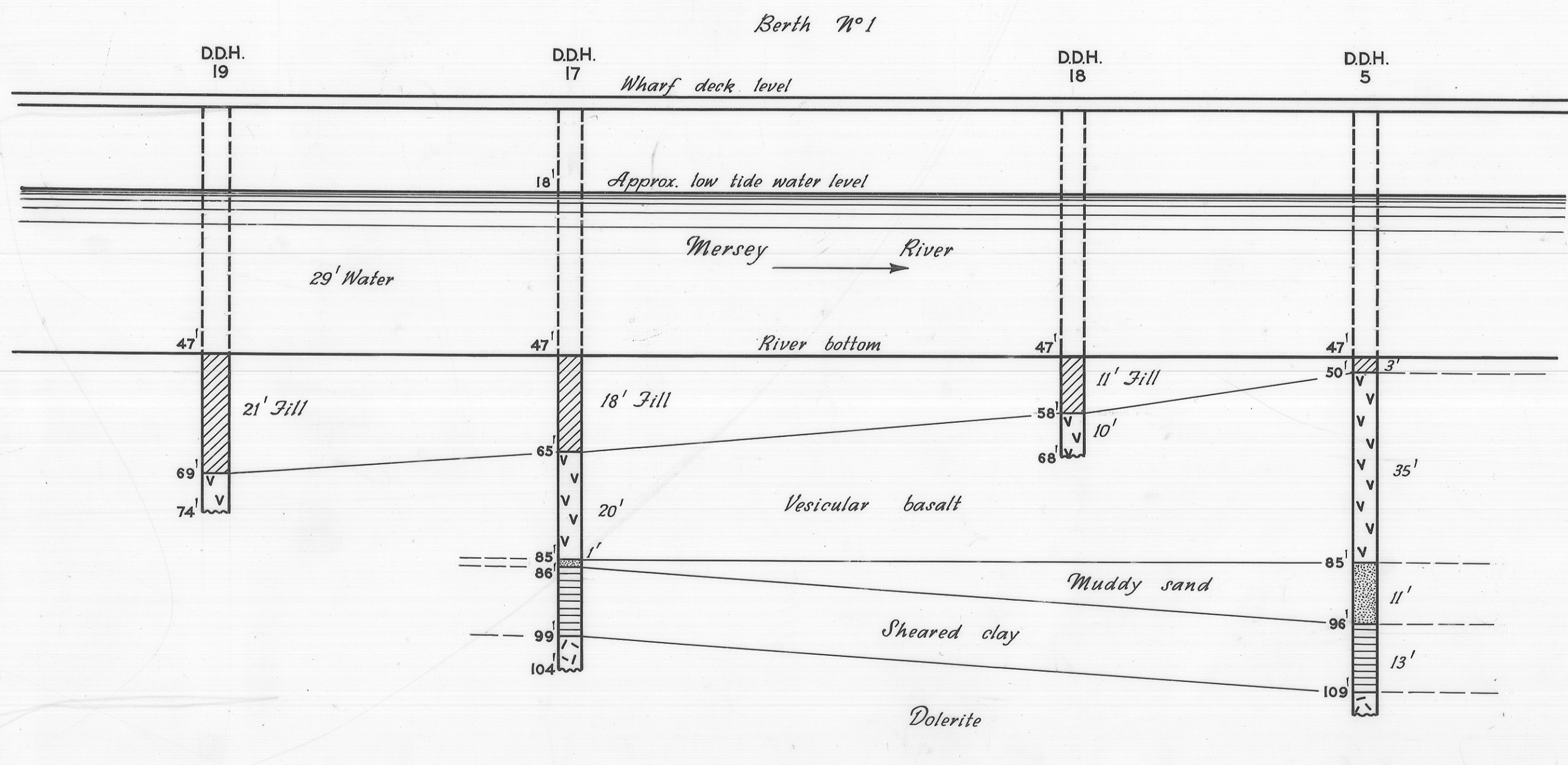


CROSS SECTION A

CROSS SECTION C



CROSS SECTION B



CROSS SECTION D

N.B. For location of sections see Mines Dept. plan N° 2884.

DEPARTMENT OF MINES - TASMANIA	
N-S CROSS SECTIONS CEMENT SILOS SITE - DEVONPORT	
DATE June 1966	Scale of Feet 0 10 20 30
GEOLOGIST W.R. Moore	MAP SHEET & N° D'port 29.
DRAUGHTSMAN P. Mankivell	FILE N° 2885
REVISIONS	

Reduce to 4"

2885

726