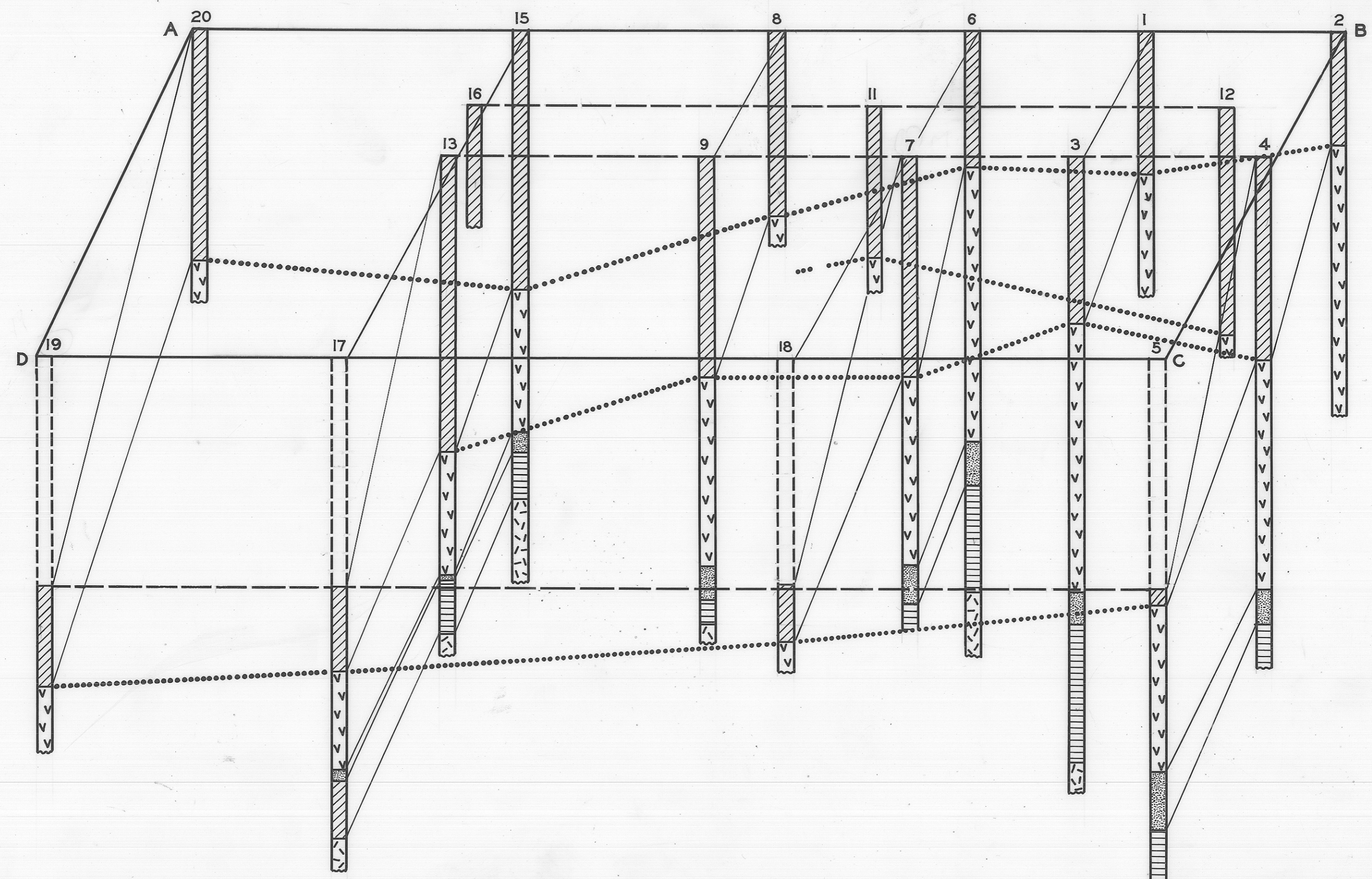

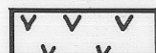
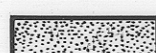
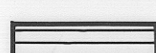
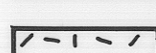




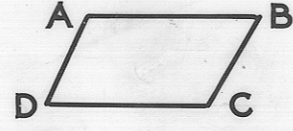

2887

728

5 cm



-  Fill
-  Tertiary basalt
-  Tertiary sand
-  Jurassic clay
-  Jurassic dolerite.

-  Top of fill.
-  Top of basalt
-  Ground and wharf surface.
-  Drill hole No.

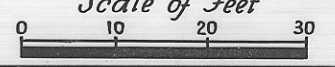
DEPARTMENT OF MINES — TASMANIA	
BORING CORRELATION CHART CEMENT SILOS SITE — DEVONPORT	
DATE <i>July 1966</i>	Scale of Feet 
GEOLOGIST <i>W. R. Moore</i>	MAP SHEET & No <i>D'port 29.</i>
DRAUGHTSMAN <i>P. Nankivell</i>	FILE No 2887
REVISIONS	

Fig 27

Reduce to 4"