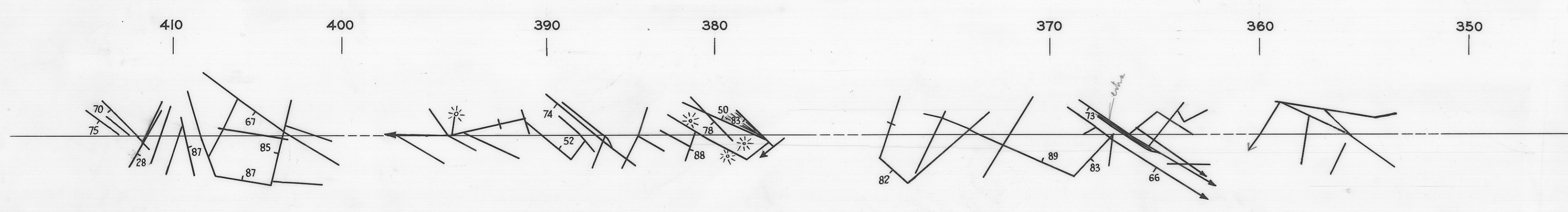
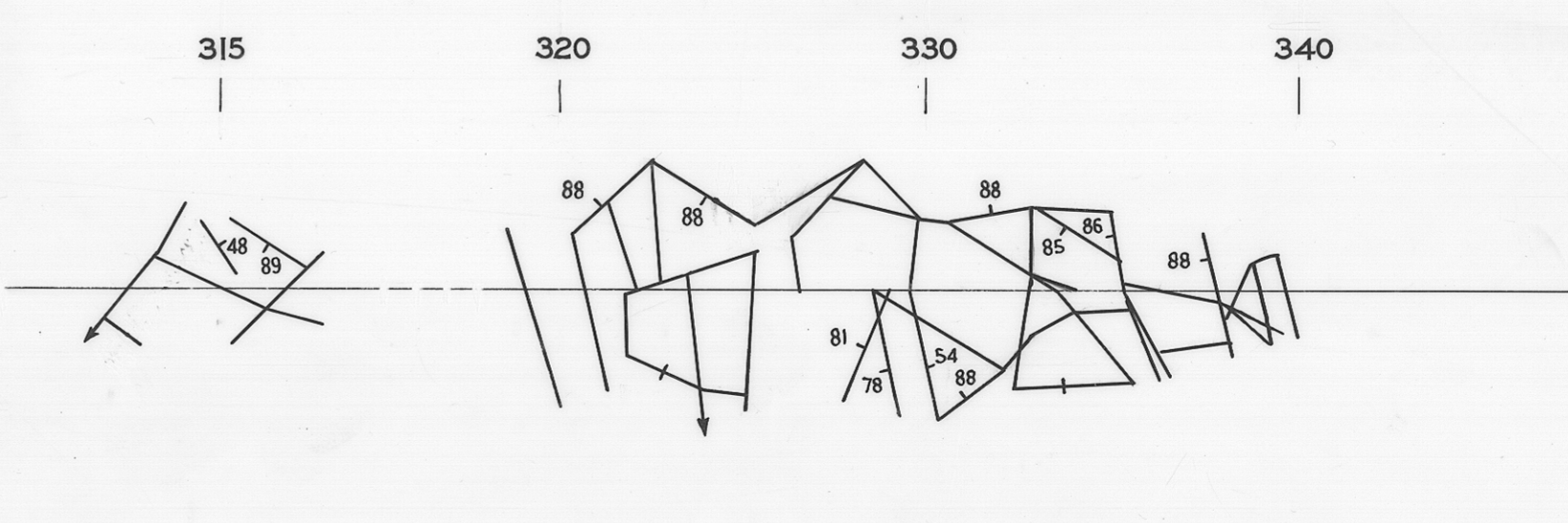
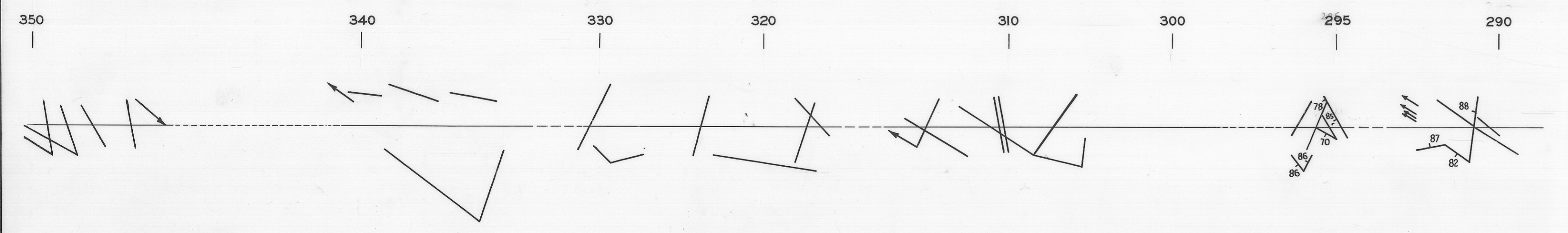
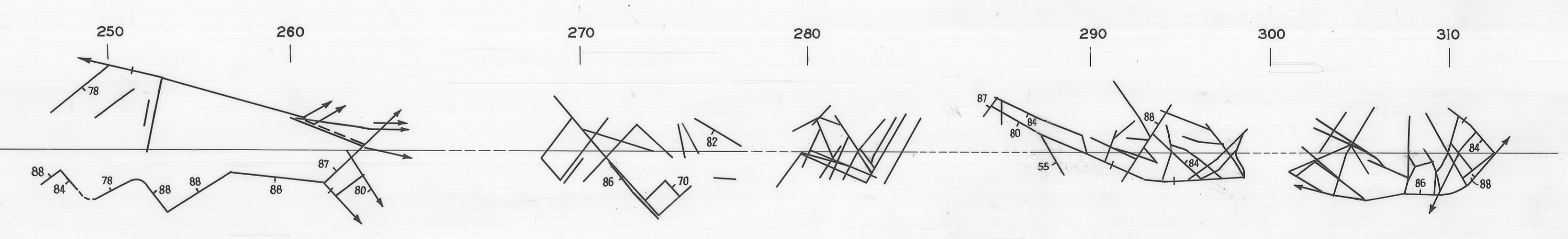
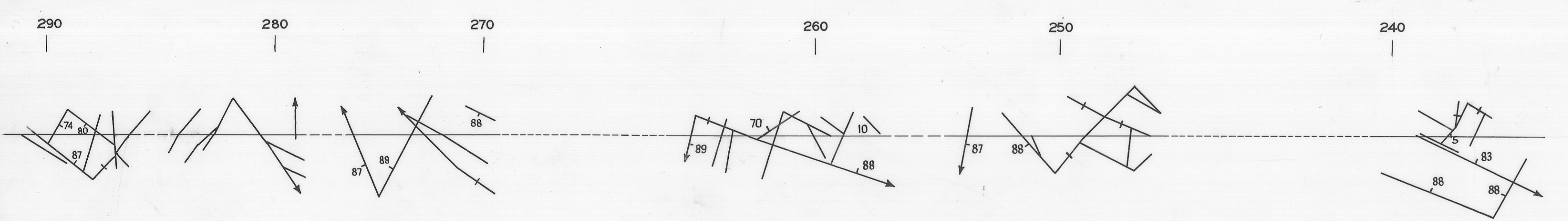
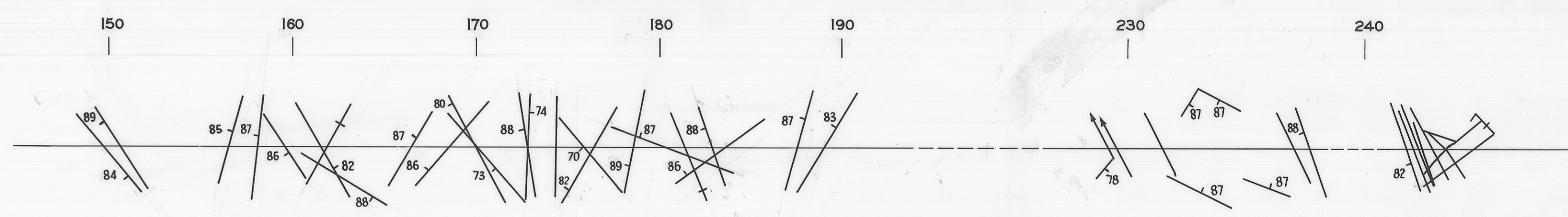
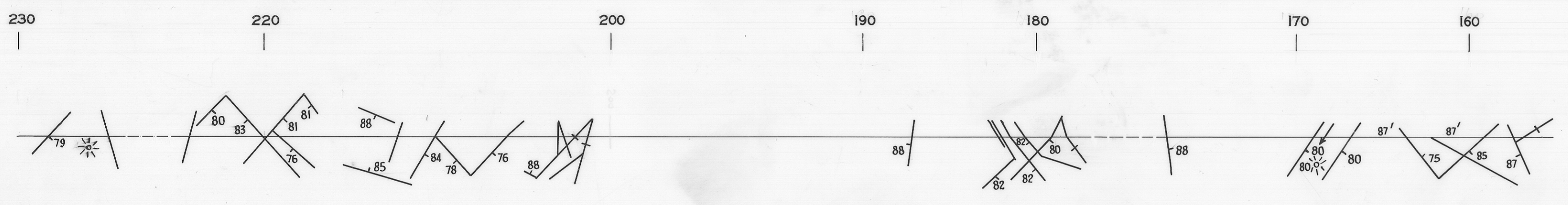
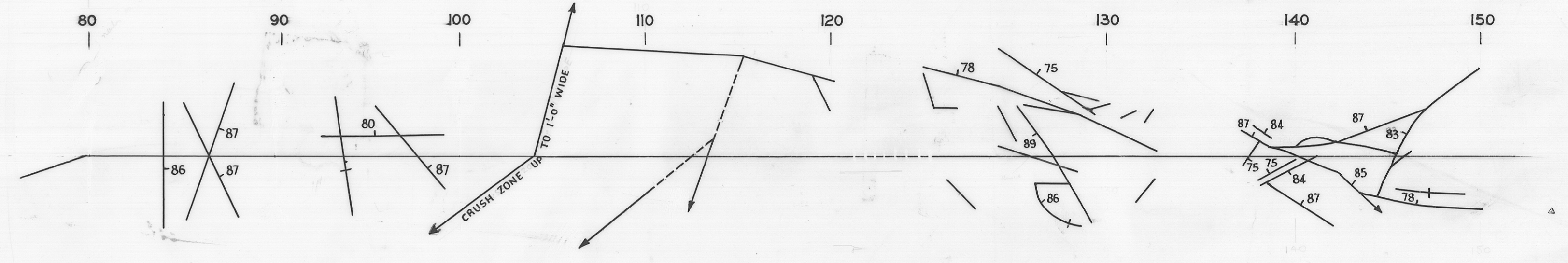
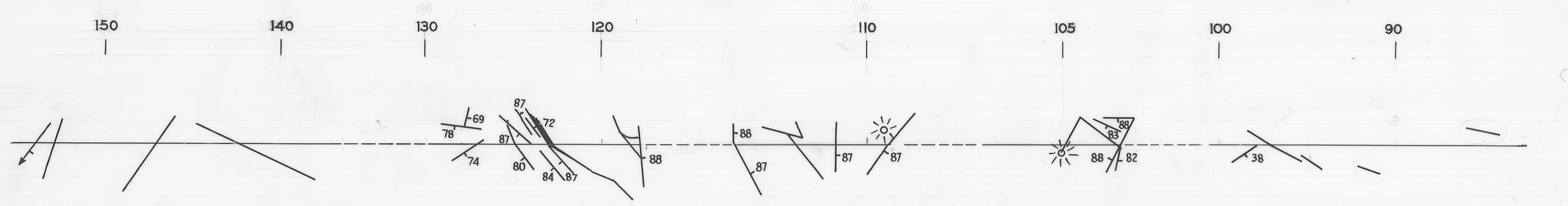


WEST SIDE

EAST SIDE



- Joint with dip indicated.
- Vertical joint.
- Joint (dip not measured)
- - - Joint weakly developed.
- - - Continues out of section.
- * Blasting shatter.

Note :- Chainages 190-230 E and 190-200 W not investigated as concrete poured before trench visited.

DEPARTMENT OF MINES — TASMANIA	
JOINT DIAGRAM — CUT OFF TRENCH RISDON BROOK DAM	
DATE	JULY 1966
GEOLOGIST	M. LONGMAN
DRAUGHTSMAN	P. NANKIVELL
REVISIONS	FILE N°
	2899

