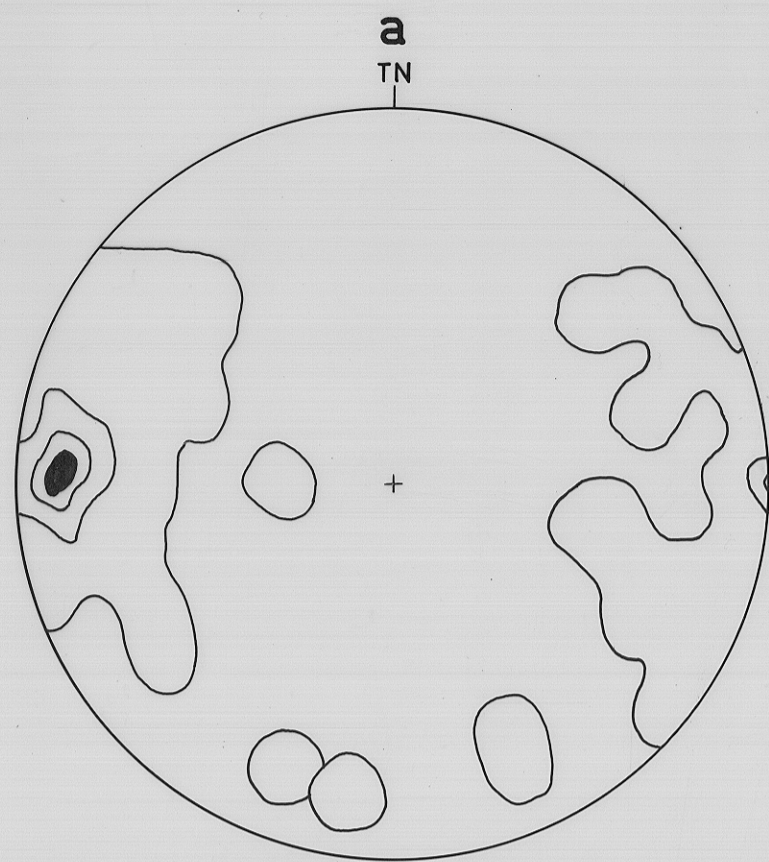
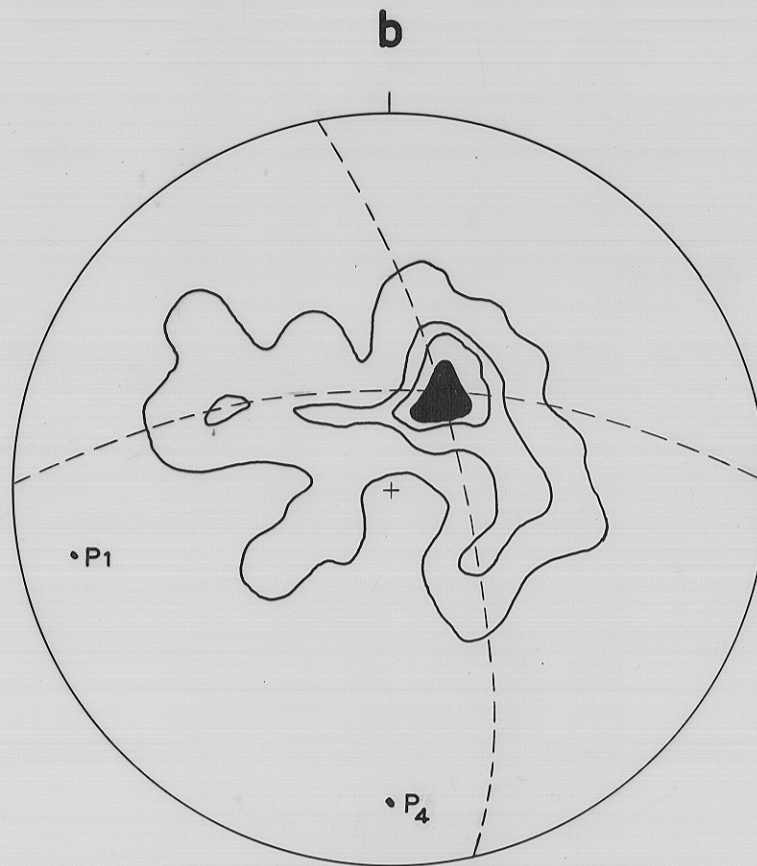


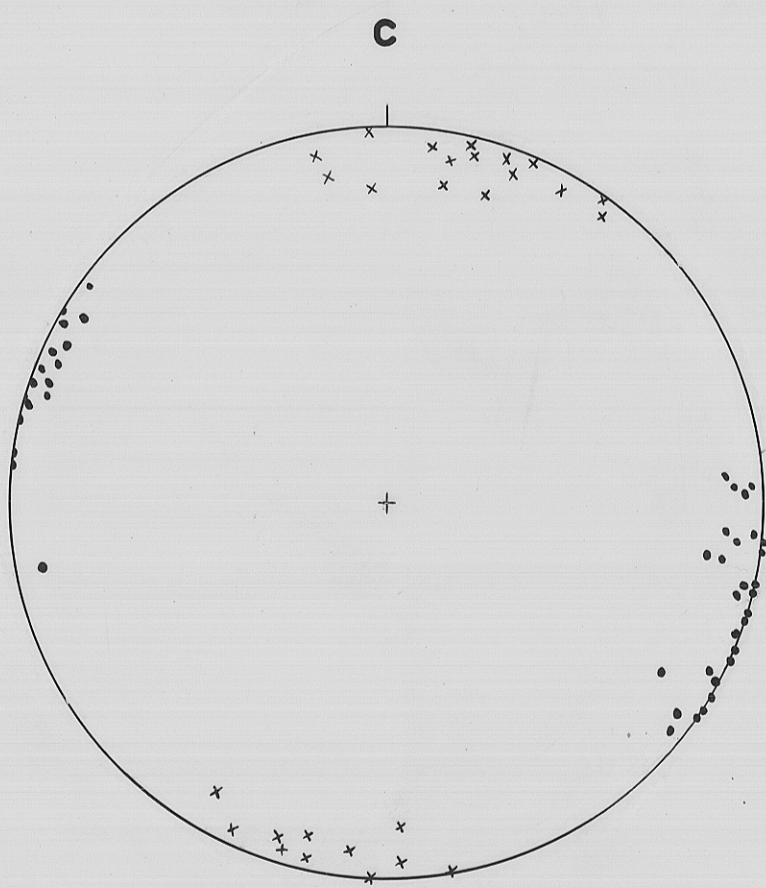
5 cm



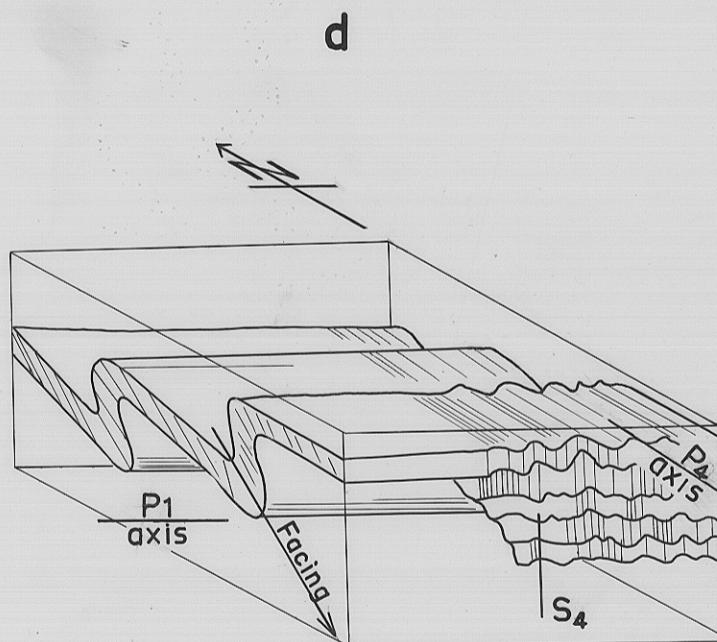
75 poles of P<sub>1</sub> fold axes  
contours 1-3-6-9%  
mean axis 258/14°



75 poles to P<sub>1</sub> axial surfaces  
Showing position of P<sub>1</sub> and P<sub>4</sub>  
axes.  
contours 1-3-6-9%



• 44 poles to P<sub>4</sub> strain-slip cleavage  
× 27 poles of P<sub>4</sub> fold axes



Diagrammatic representation of  
vergence and facing of P<sub>1</sub> folds.

STRUCTURAL DATA  
SOMERSET OVERTURNED BELT