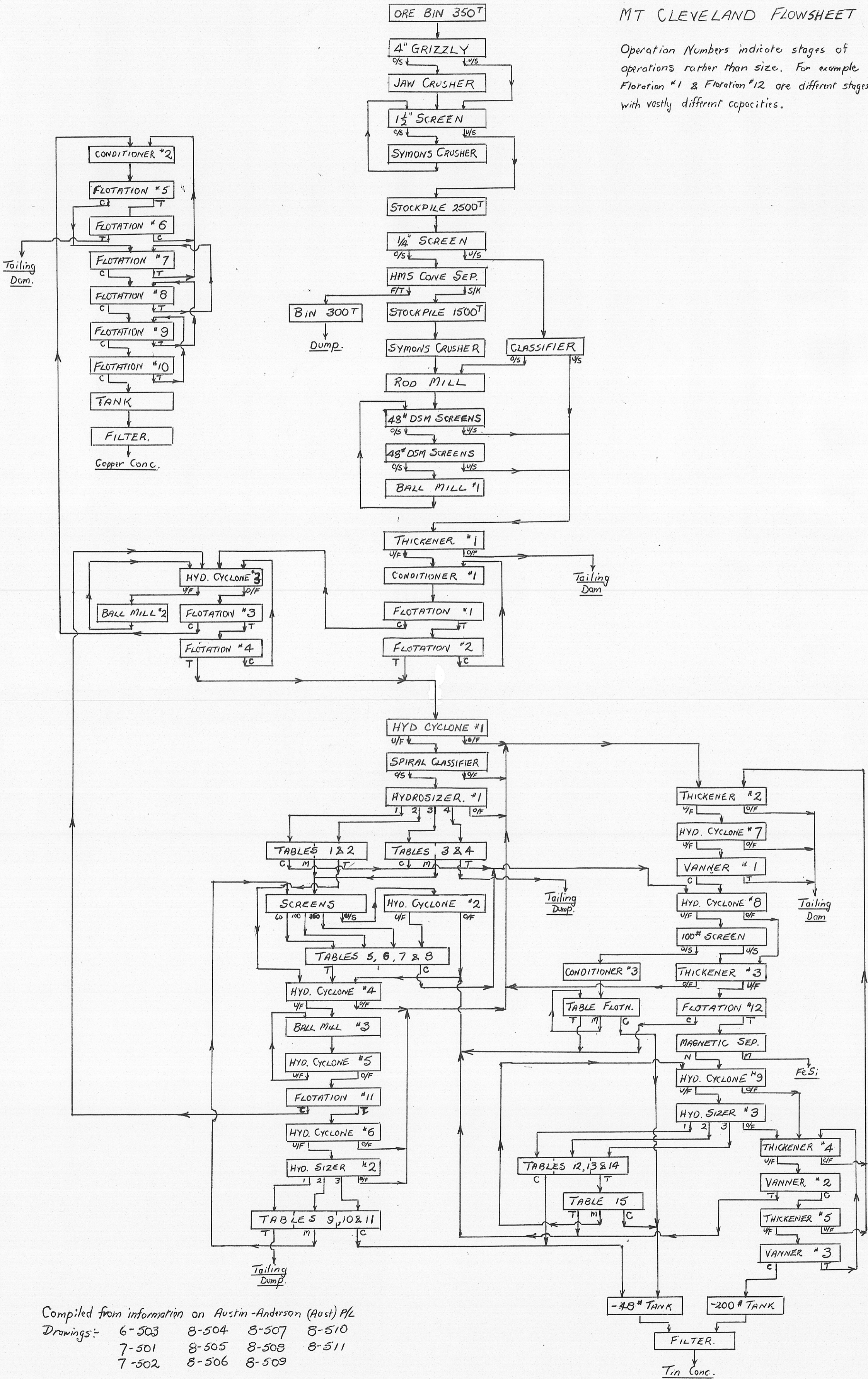


5 cm

MT CLEVELAND FLOWSHEET

Operation Numbers indicate stages of operations rather than size. For example Flotation #1 & Flotation #12 are different stages with vastly different capacities.



Compiled from information on Austin-Anderson (Aust) PL

- Drawings: 6-503 8-504 8-507 8-510
- 7-501 8-505 8-508 8-511
- 7-502 8-506 8-509

[Handwritten signature]