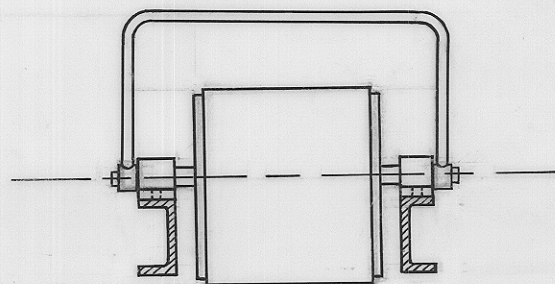
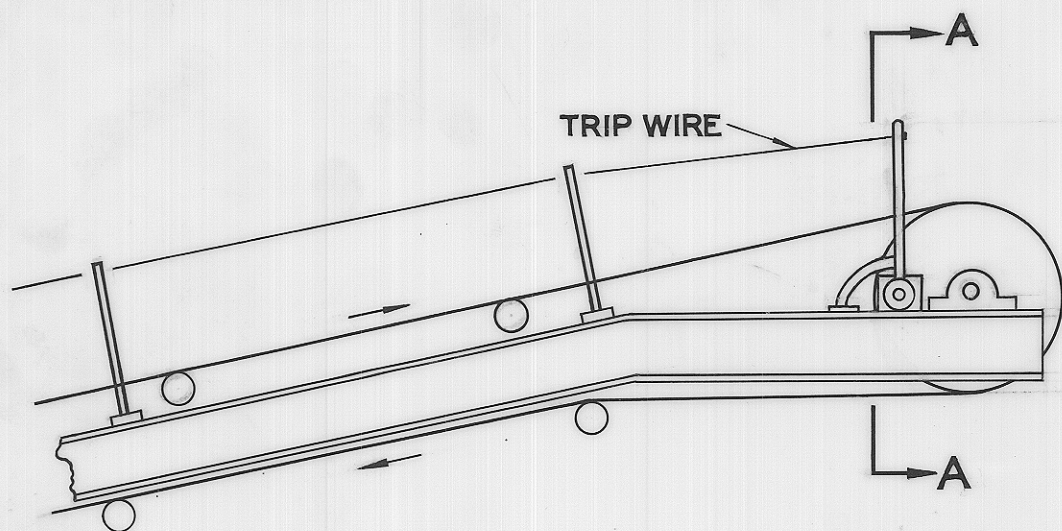


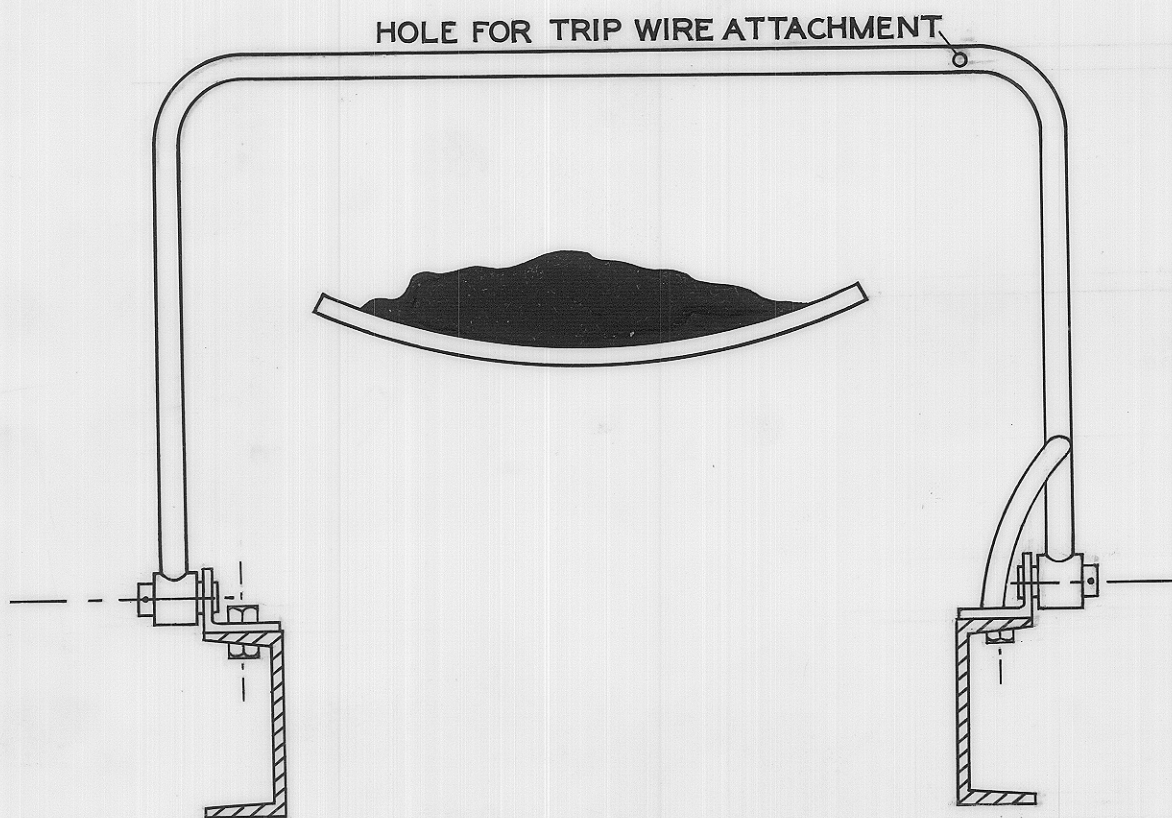
3247

252

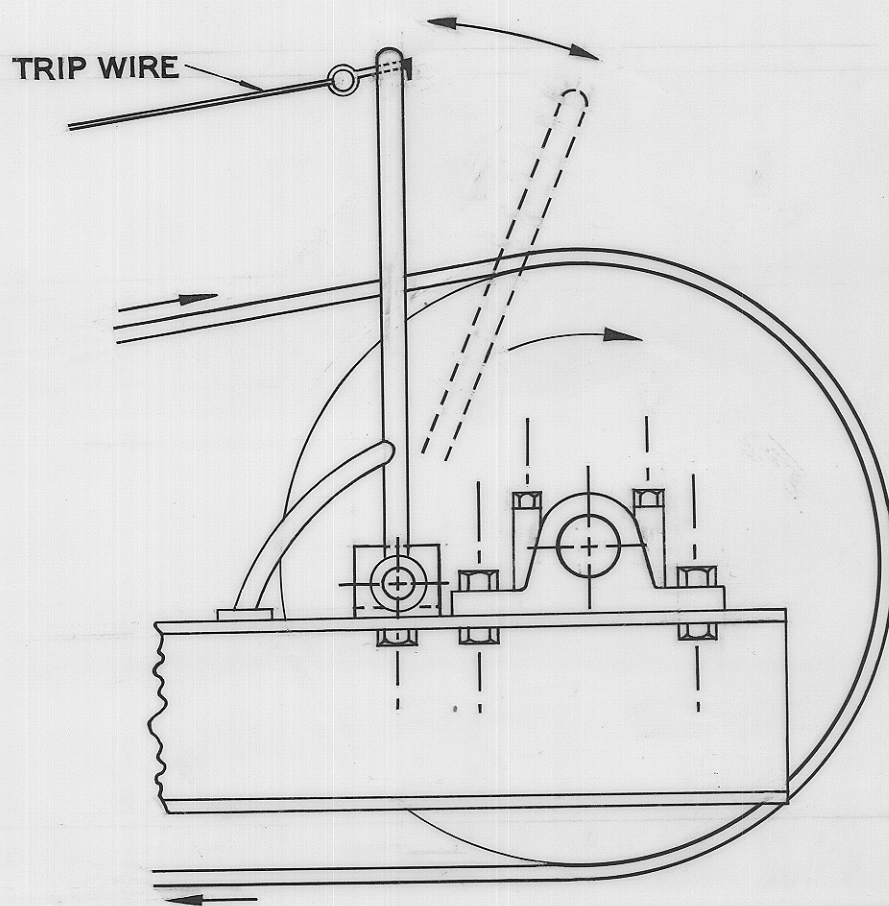
5 cm



SECTION AA



ENLARGED SECTION AA



DEPARTMENT OF MINES—TASMANIA
CONVEYOR HEAD PULLEY
SAFETY RELEASE

DATE MAY 1969
ENGINEER W. HODGSON
D'MAN H. MACKINNON
REVISIONS

DIAGRAMMATIC
FILE N° 3247