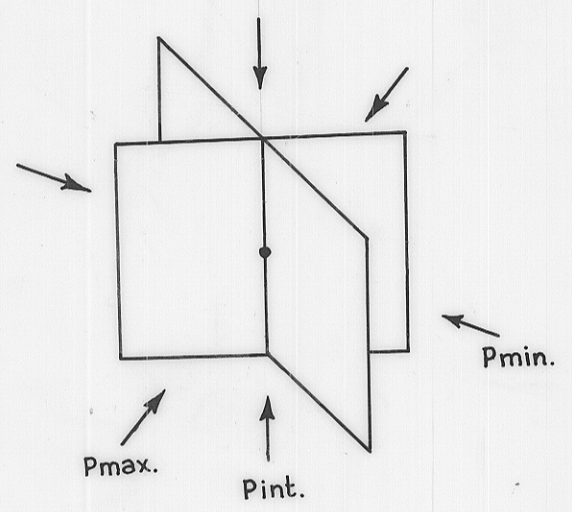
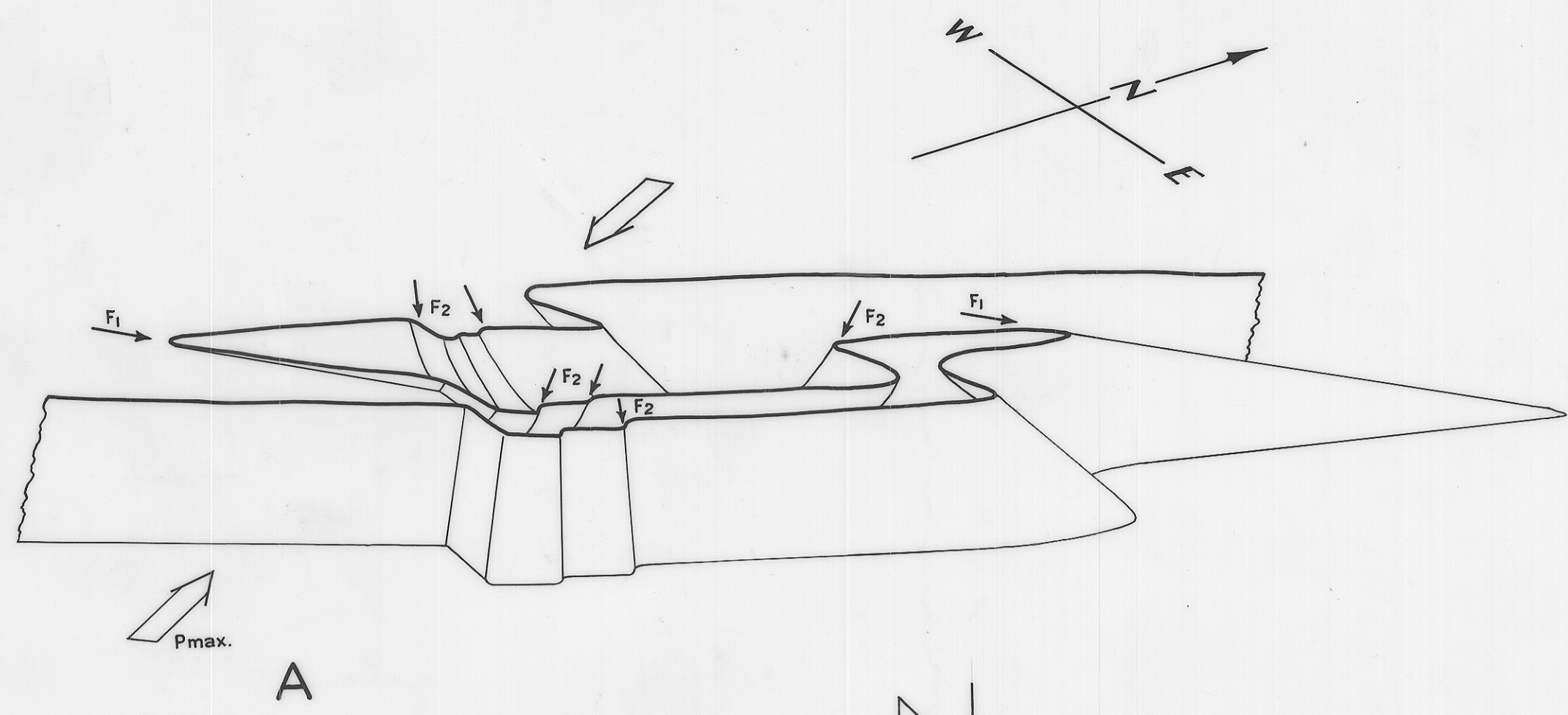
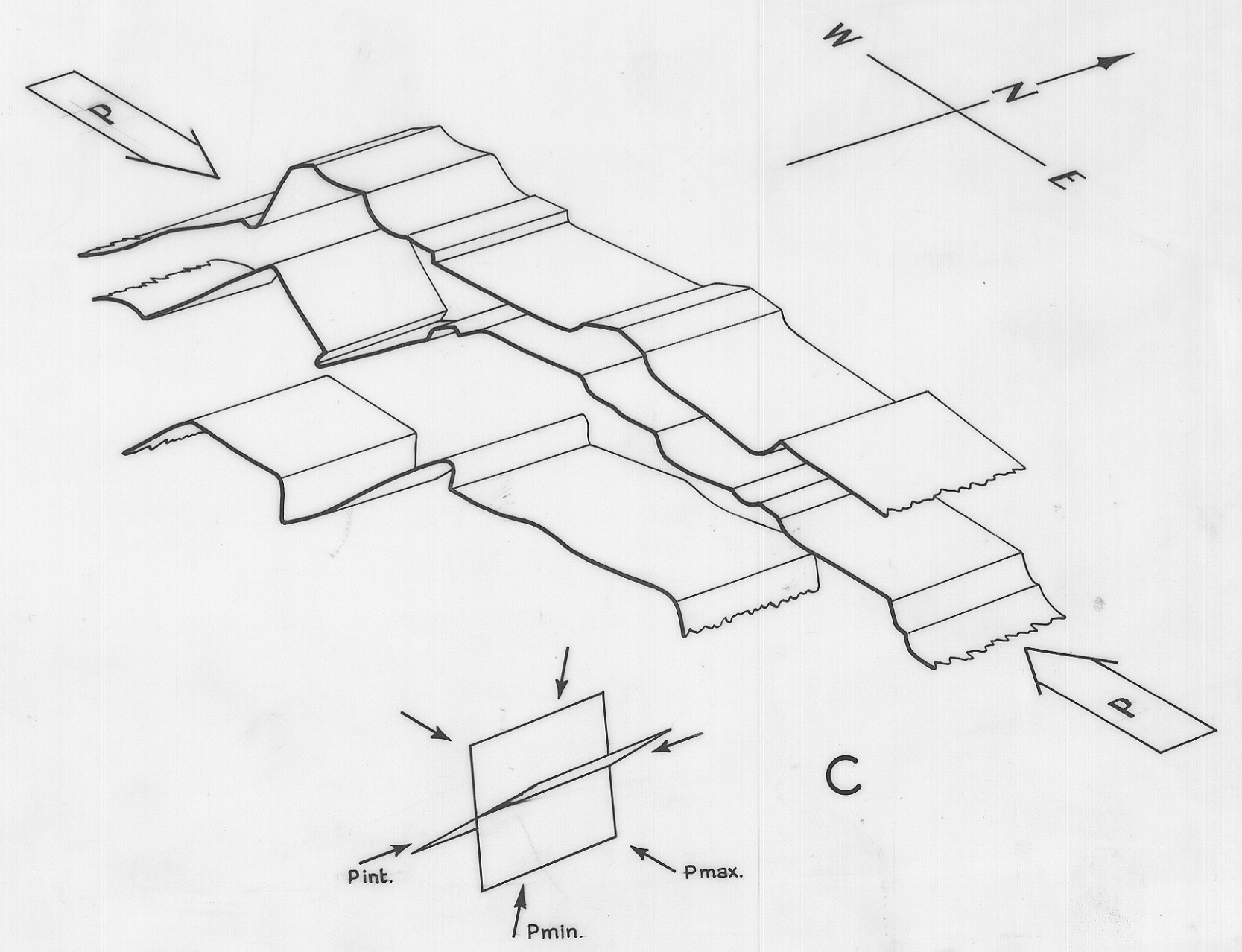
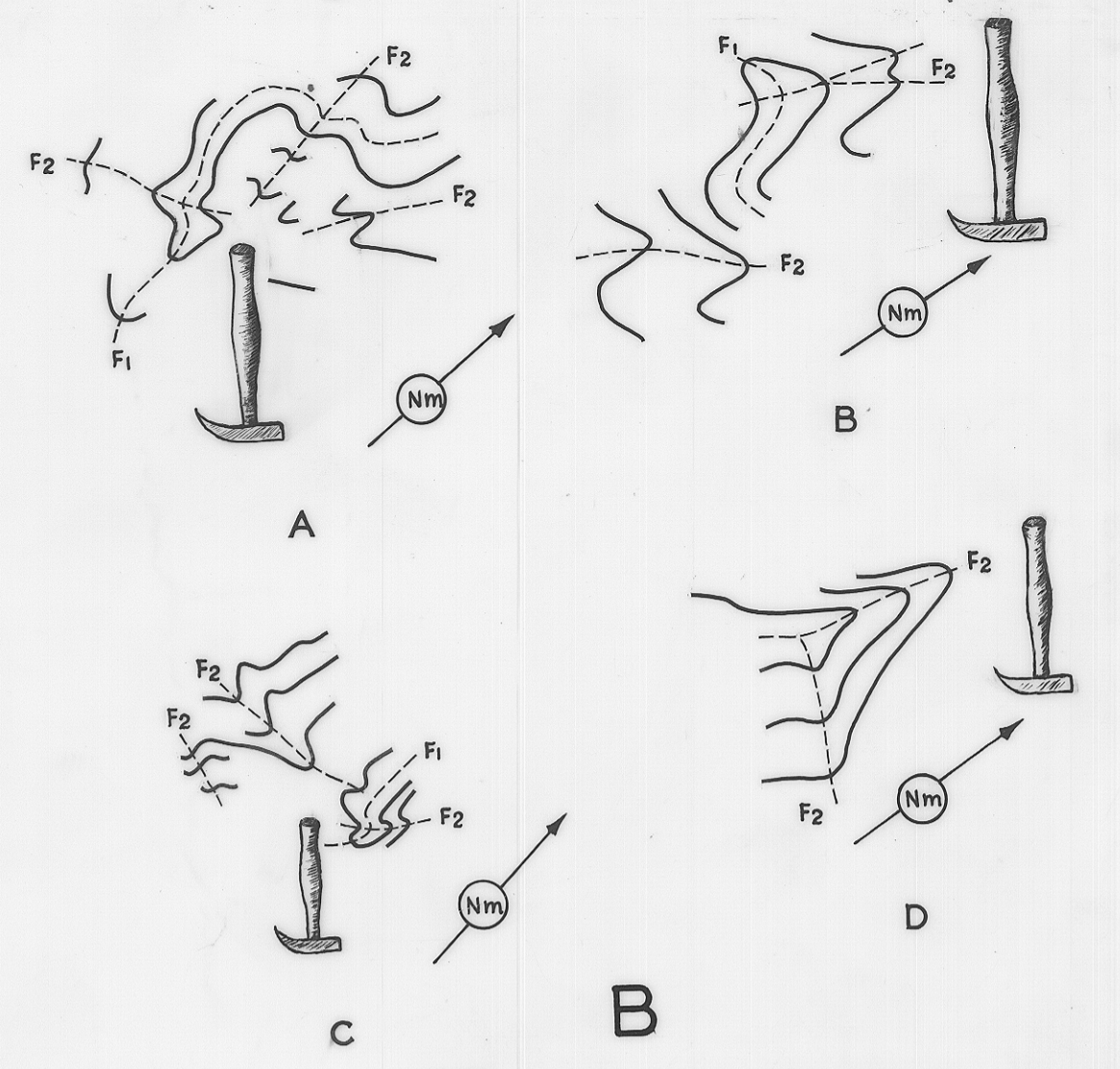


3360

015



DIAGRAMMATIC REPRESENTATION  
OF FOLDING - DON HILL -  
MT. BISCHOFF



5 cm