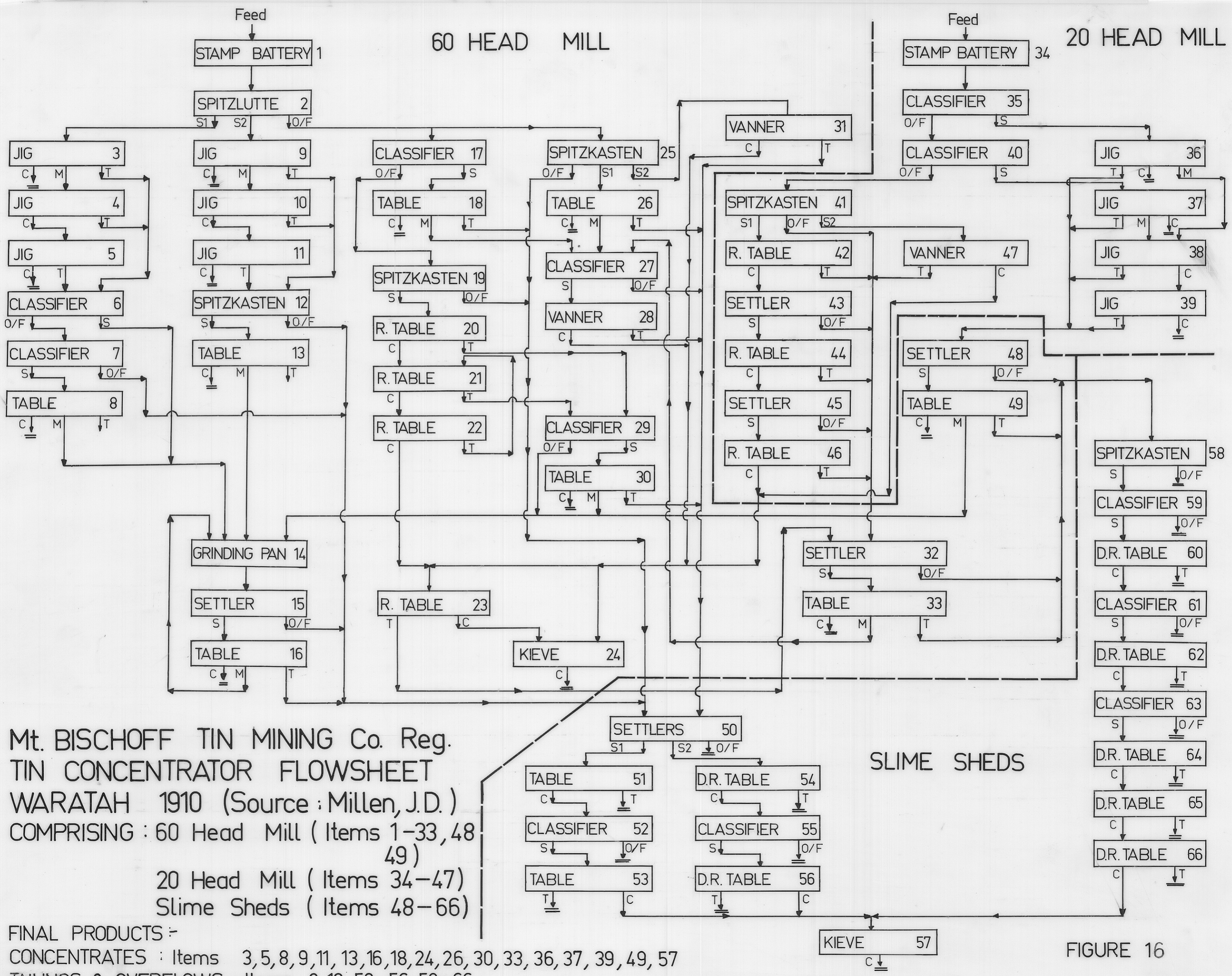
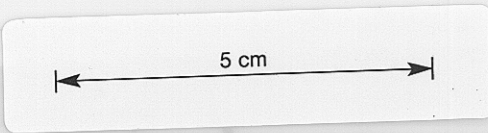


3446 E
(FIG 16)

473



Mt. BISCHOFF TIN MINING Co. Reg.
 TIN CONCENTRATOR FLOWSHEET
 WARATAH 1910 (Source : Millen, J.D.)
 COMPRISING : 60 Head Mill (Items 1-33, 48
 49)
 20 Head Mill (Items 34-47)
 Slime Sheds (Items 48-66)

FINAL PRODUCTS :-
 CONCENTRATES : Items 3, 5, 8, 9, 11, 13, 16, 18, 24, 26, 30, 33, 36, 37, 39, 49, 57
 TAILINGS & OVERFLOWS : Items 8, 13, 50-56, 58-66

FIGURE 16