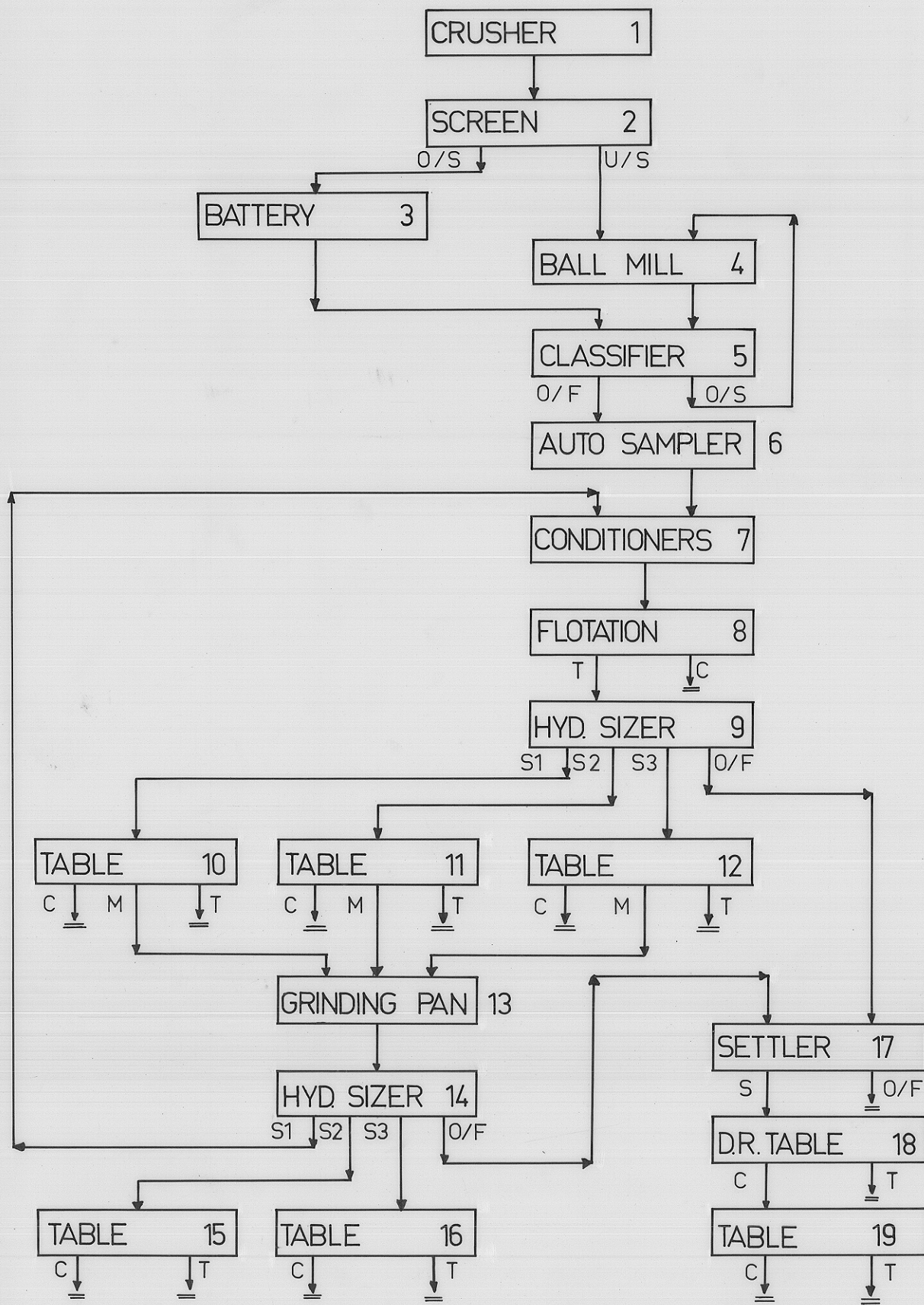


3451C

(FIG 28)

485

5 cm



FLOWSHEET - RENISON BELL TEST

Oct. 1945 - R143

FIGURE 28