

5 cm

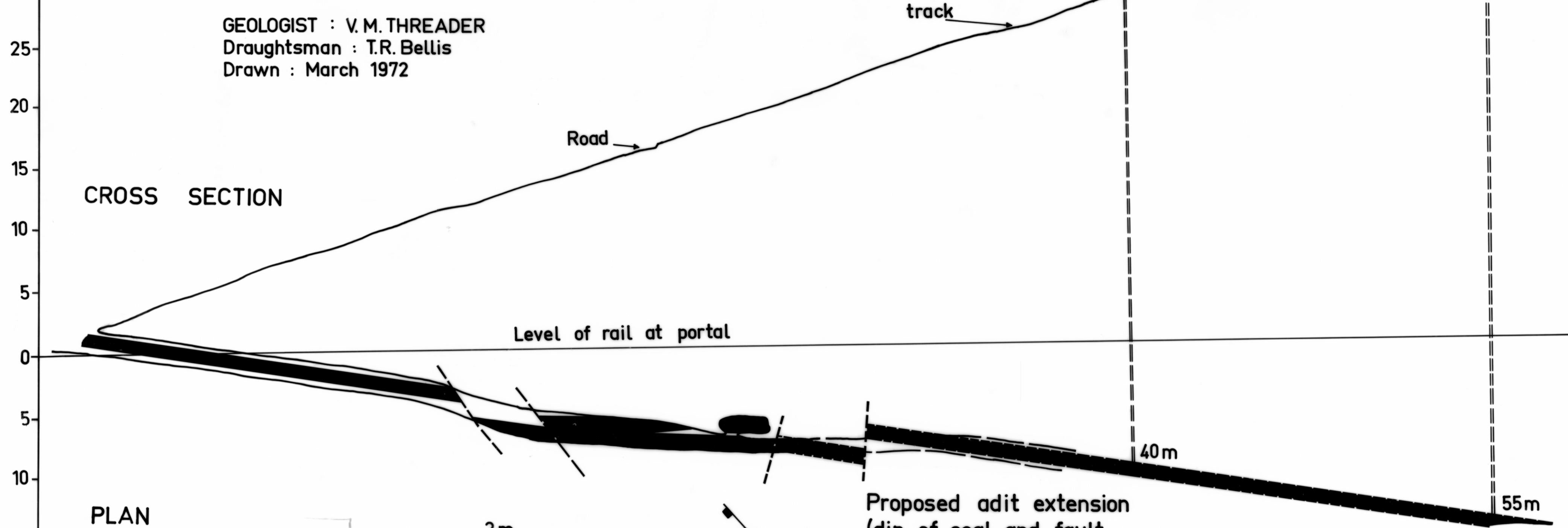
# ADIT N°4 SANDFLY COAL MINE

Showing proposed extensions and boreholes

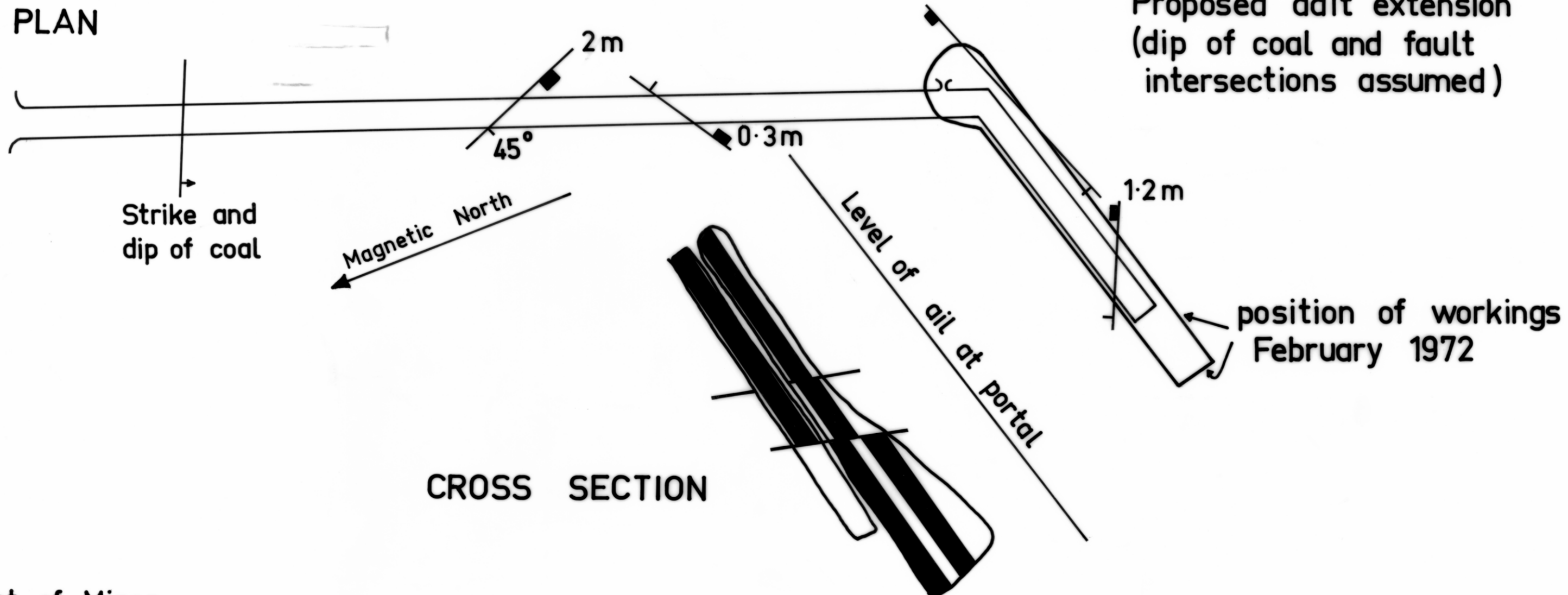
0 5 10 20metres

30 metres

GEOLOGIST : V. M. THREADER  
Draughtsman : T.R. Bellis  
Drawn : March 1972



PLAN



CROSS SECTION