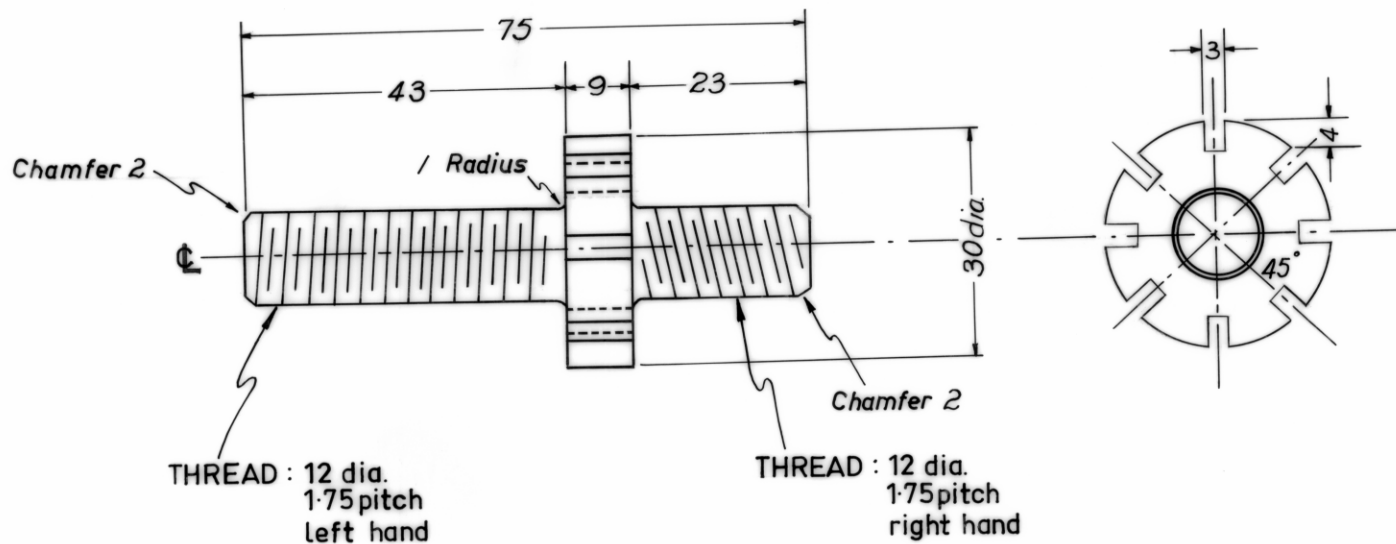


3625

666

5 cm



THREAD : 12 dia.
1.75 pitch
left hand

THREAD : 12 dia.
1.75 pitch
right hand

Material R4 steel

All dimensions in millimetres

Scale : full size

SIEB GRINDER—HANDLE ADJUSTING SCREW

DEPT OF MINES — METALLURGICAL LAB. LAUNCESTON JUNE 1972

Drawn :- H. Mackinnon

3625 -M