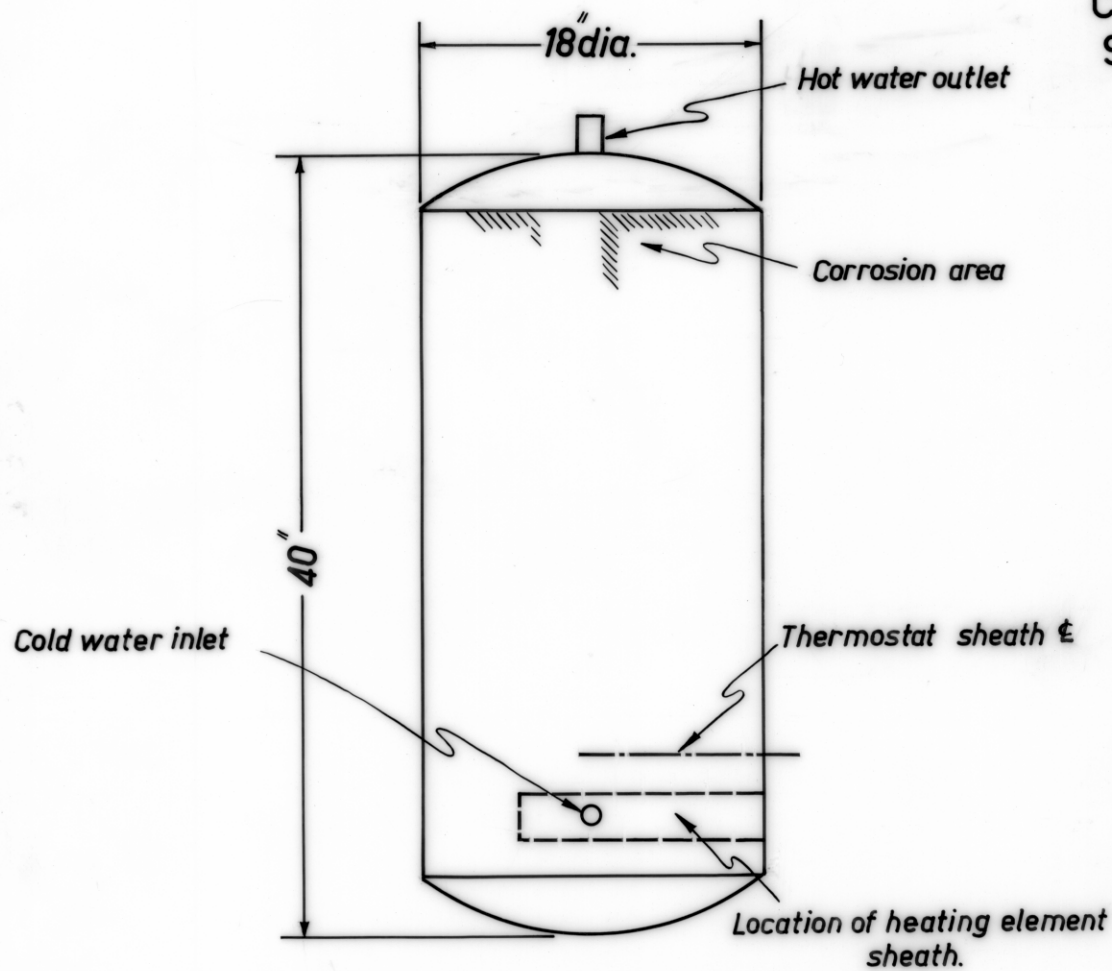


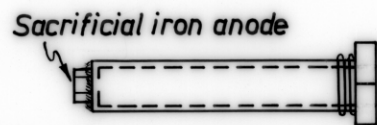
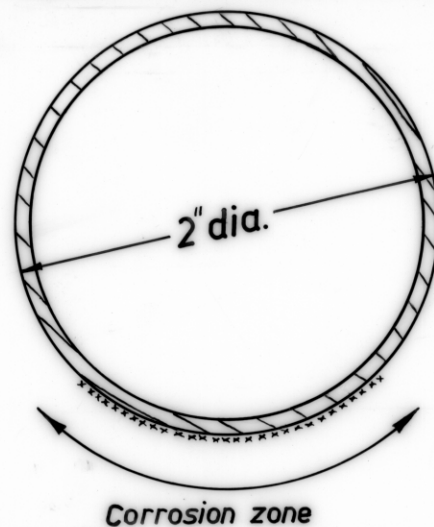
5 cm

R548 — HOT WATER TANK & HEATING ELEMENT SHEATH — Figure 2



VIEW OF HOT WATER TANK SHOWING LOCATION OF PARTS & CORROSION AREAS ON TANK.

CROSS SECTION OF SHEATH SHOWING CORROSION ZONE.



VIEW OF SHEATH FITTED WITH SACRIFICIAL IRON ANODE.

VIEW OF HOT WATER TANK SHOWING POSSIBLE LOCATION FOR HEATING ELEMENT.

