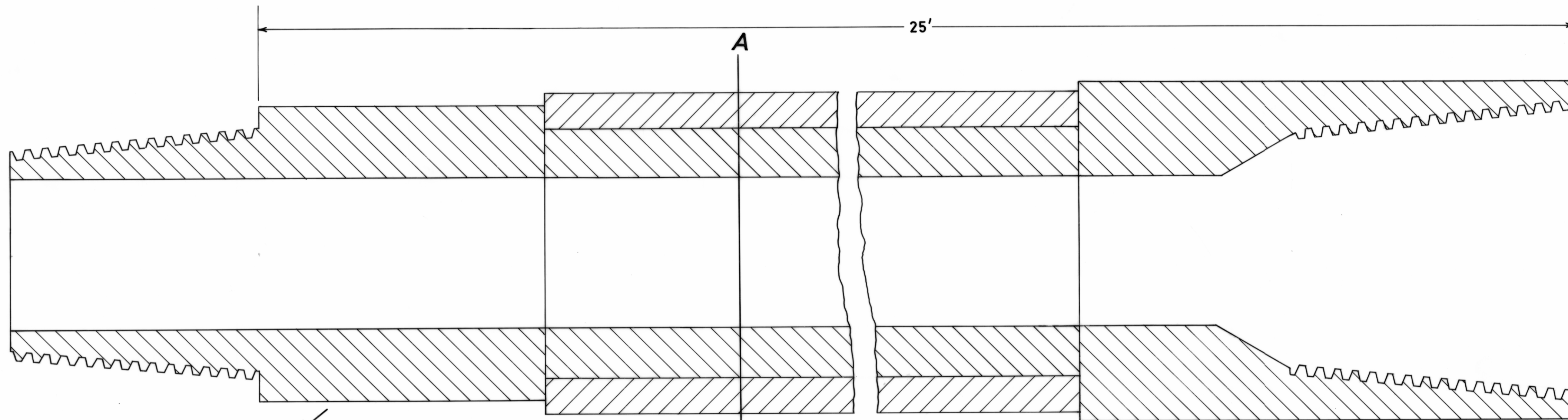
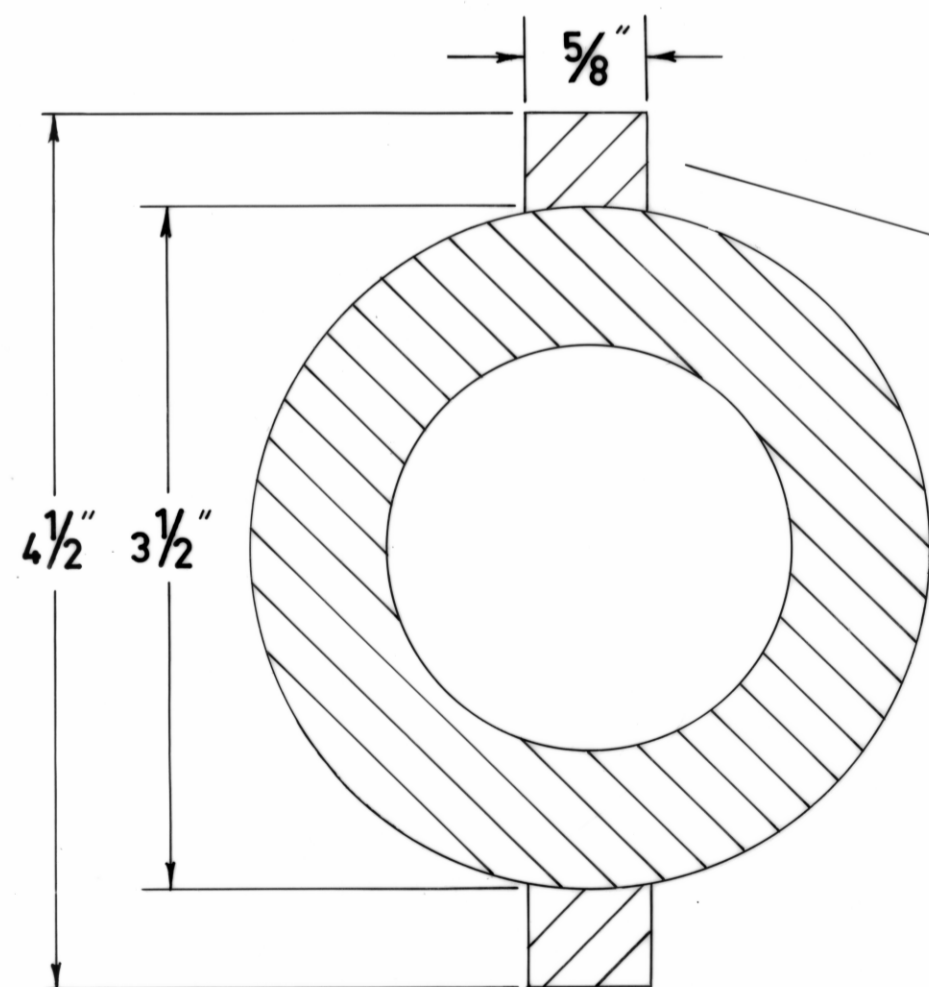


5 cm



2 7/8" API-IF  
R.H. PIN

3 1/2" API-IF  
L.H. BOX



1/2" x 5/8" Lugs welded for  
full length.

Sect. AA

DEPARTMENT OF MINES — TASMANIA	
<b>KELLY FOR USE IN 5" W.B. CASING</b>	
Date March 1973	Scale Full Size
Engineer J. Braithwaite	<b>3723</b>
Drawn P.J. Donnelly	