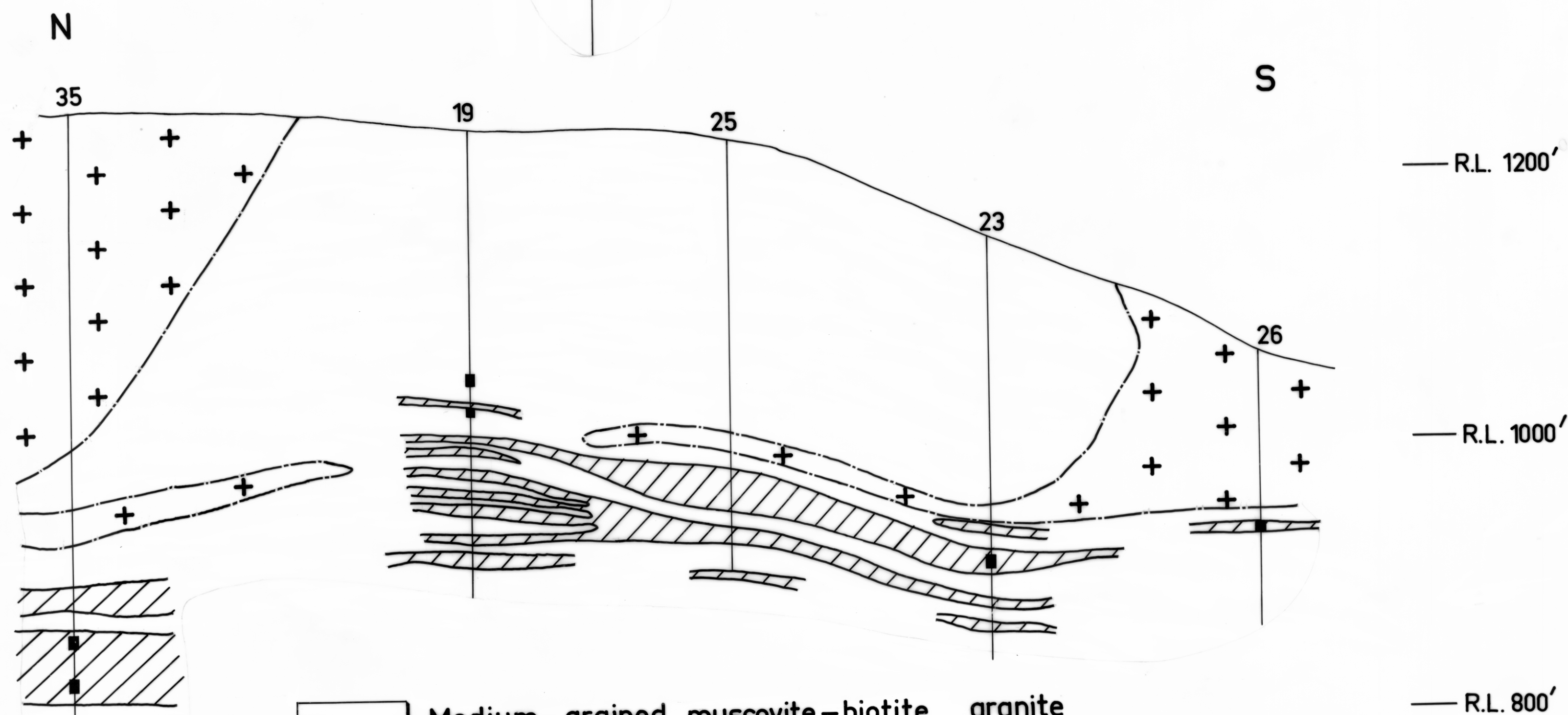
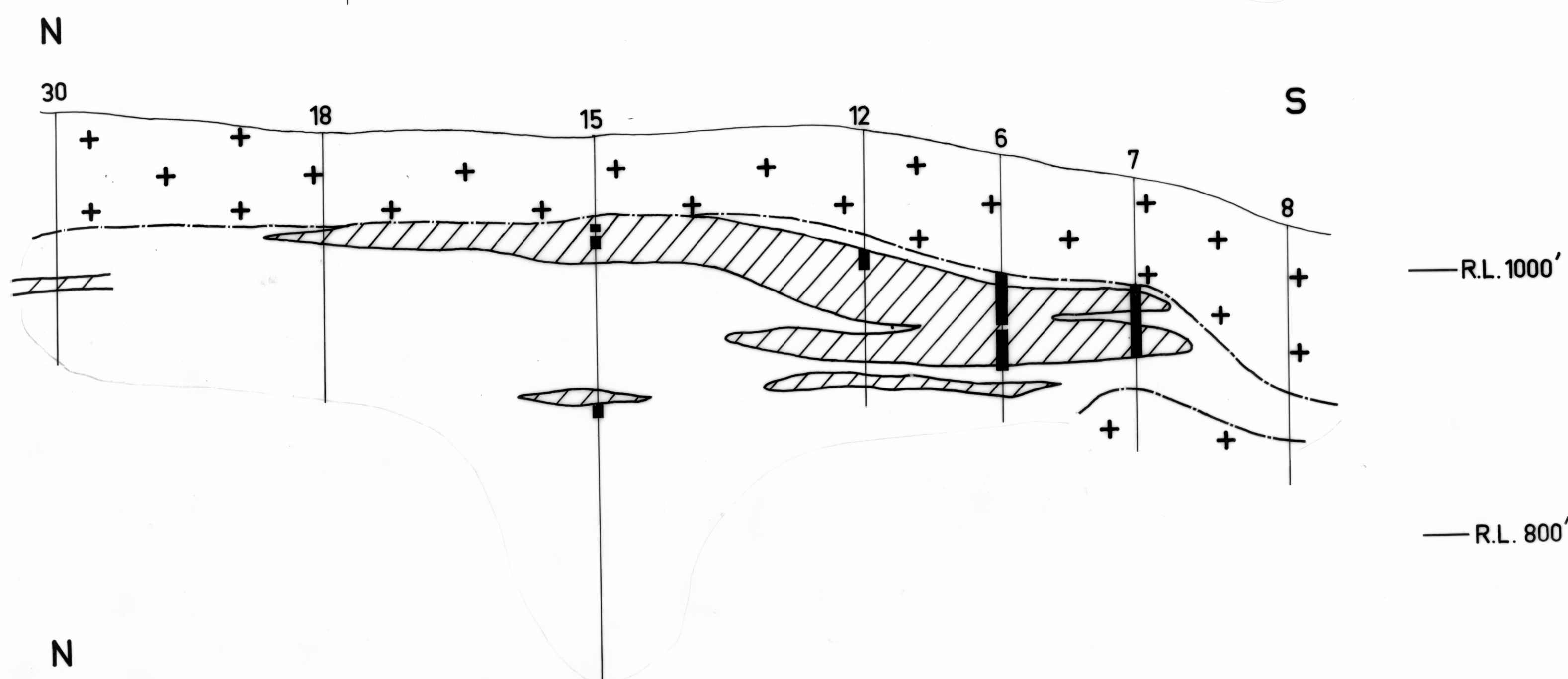
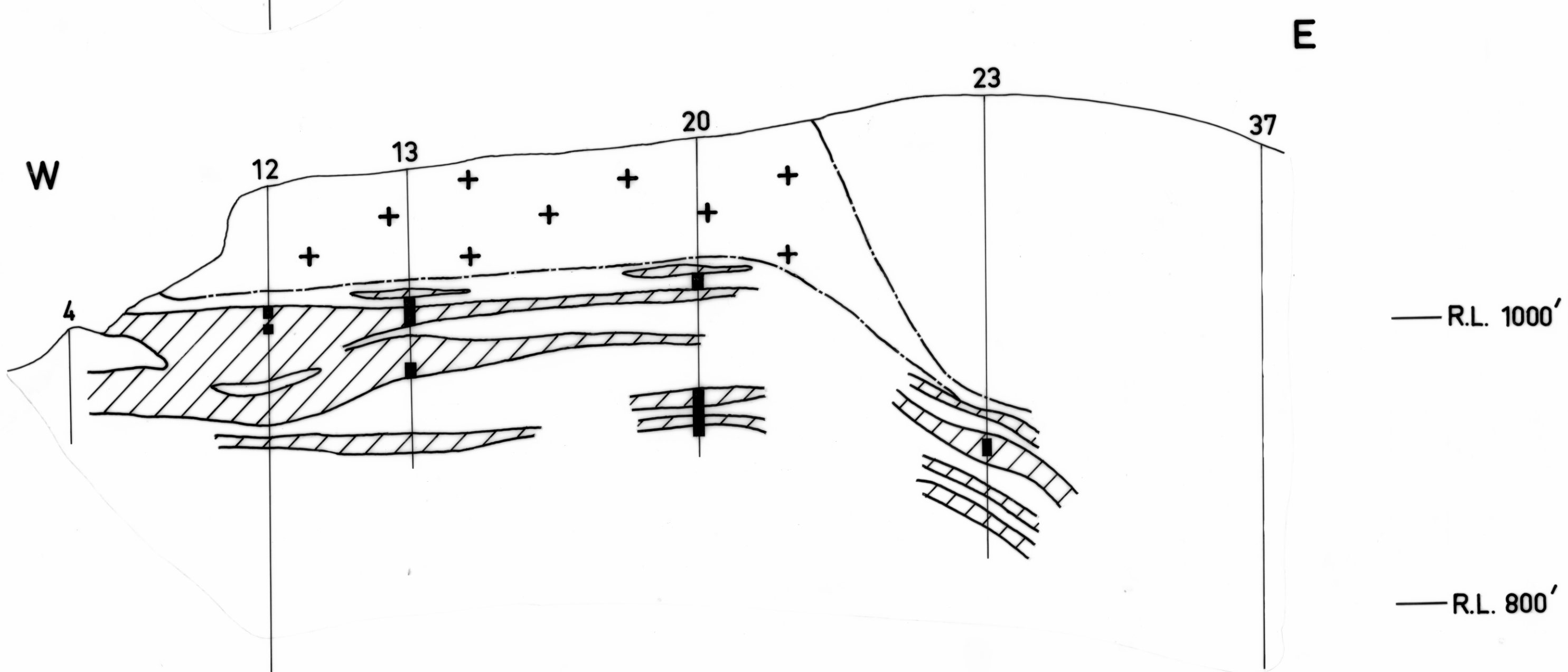
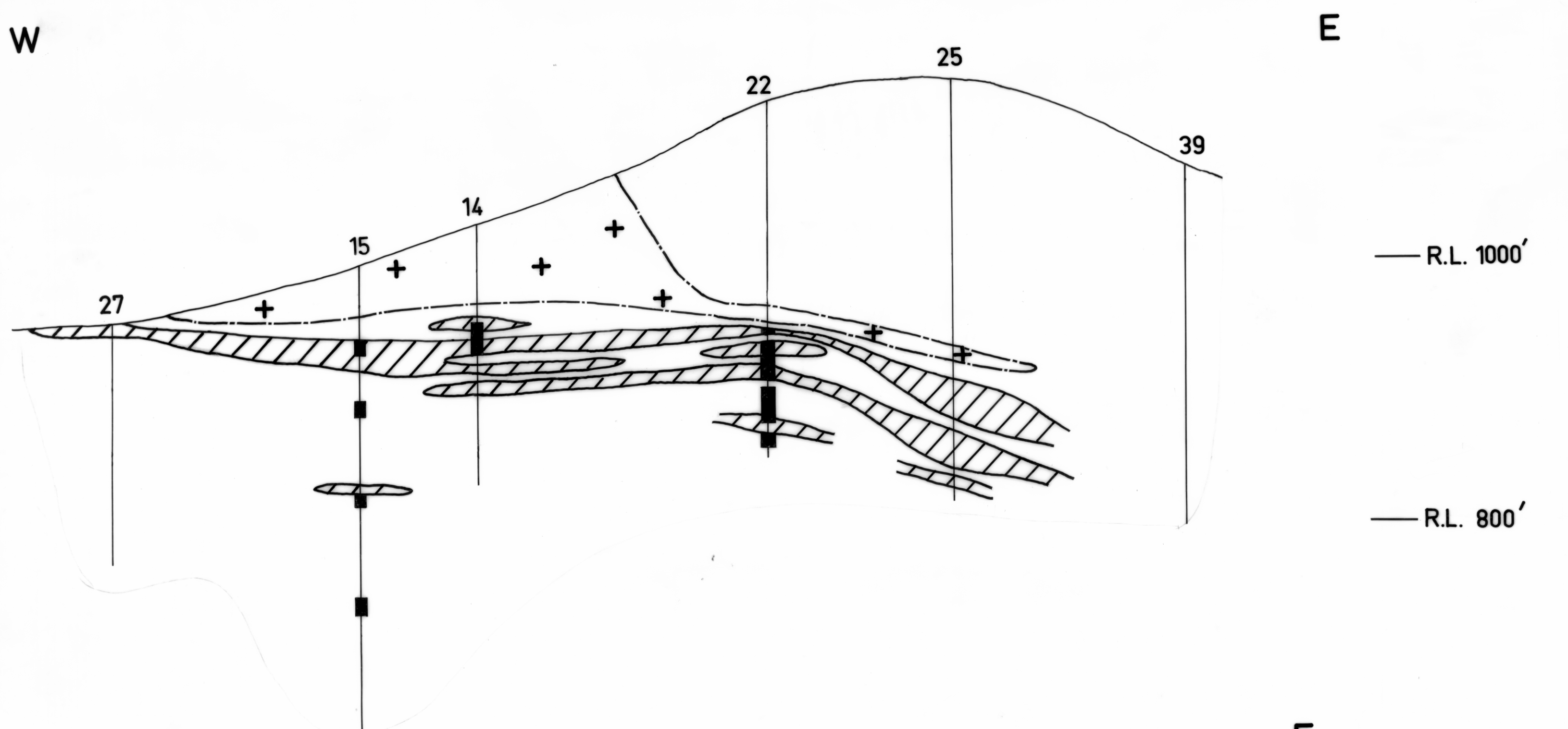
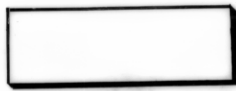
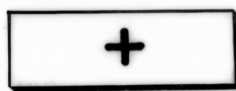






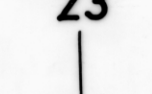
5 cm

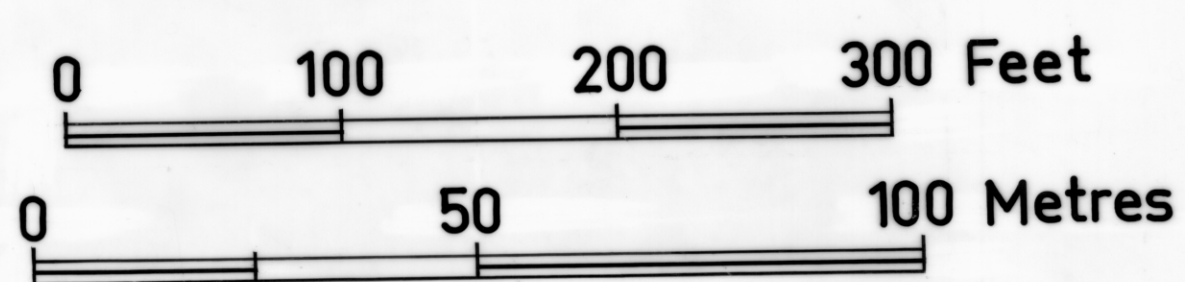
C

4



-  Medium-grained muscovite-biotite granite
-  Coarse-grained or porphyritic biotite granite/adamellite
-  Greisen band in drill core
-  Zones in excess of 0.1% Sn

-  Approximate geological contact
-  Approximate boundary
-  Diamond drill hole



X