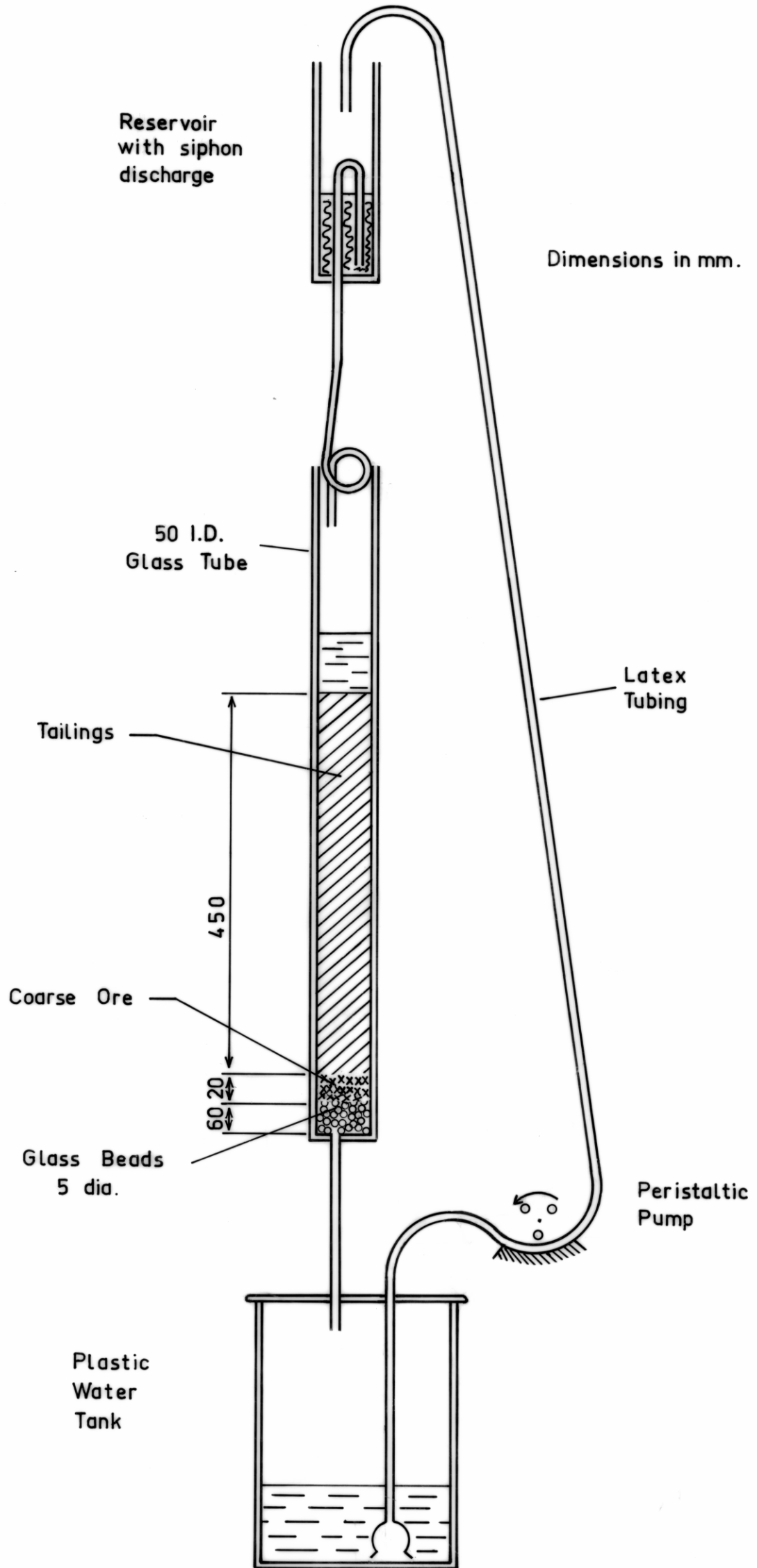


R 715 QUE RIVER TAILING STUDY
SKETCH OF APPARATUS — NOT TO SCALE



4185

464

5 cm