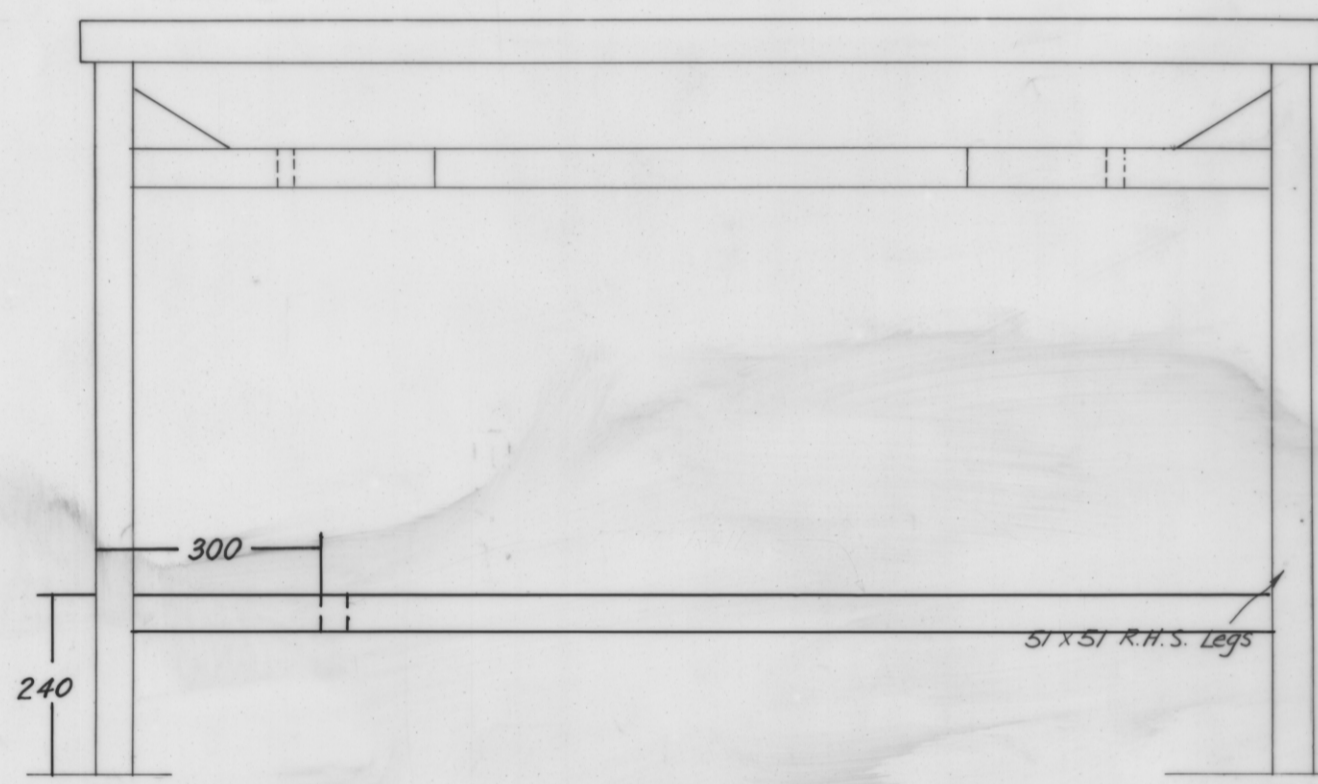
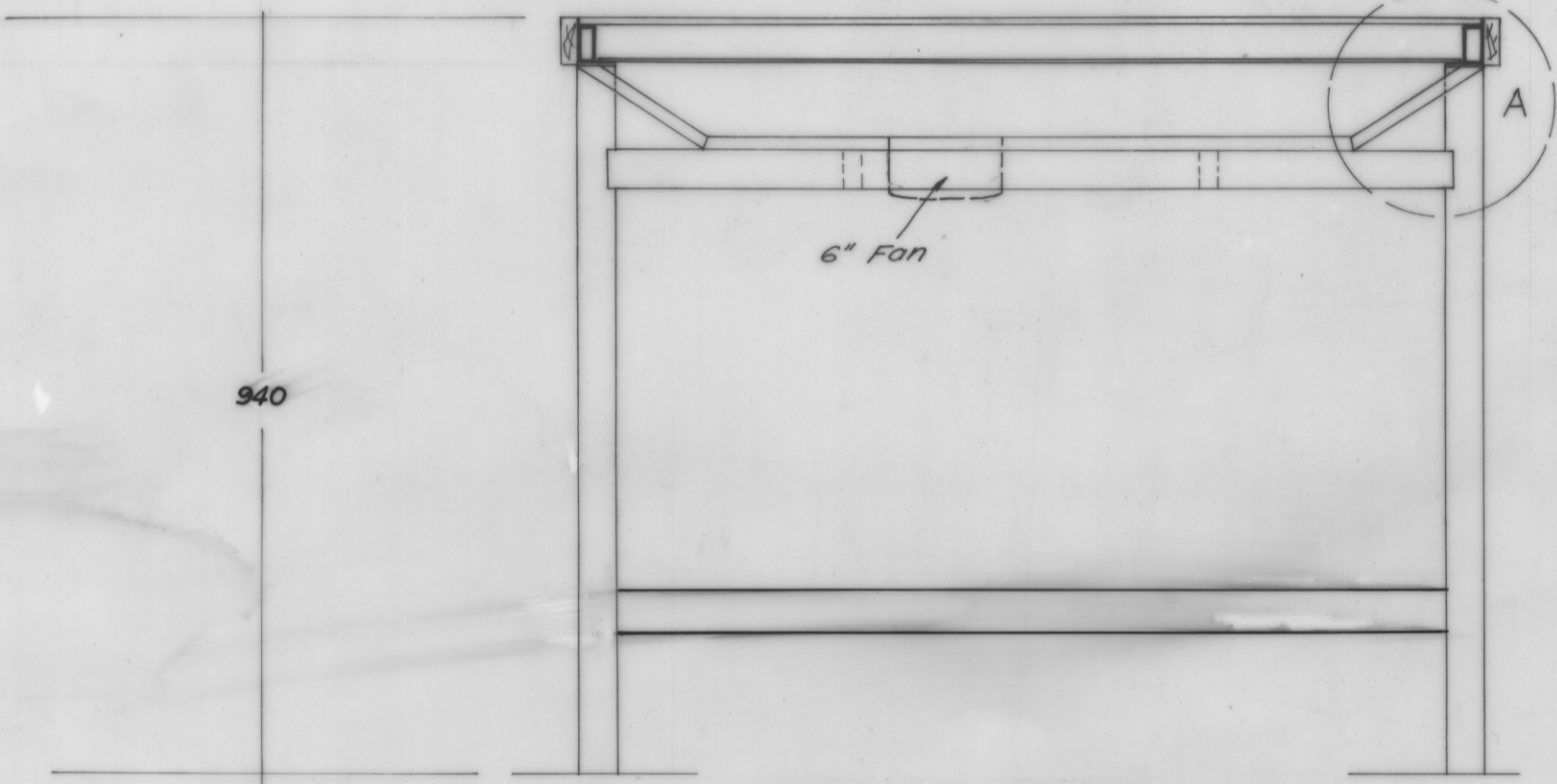


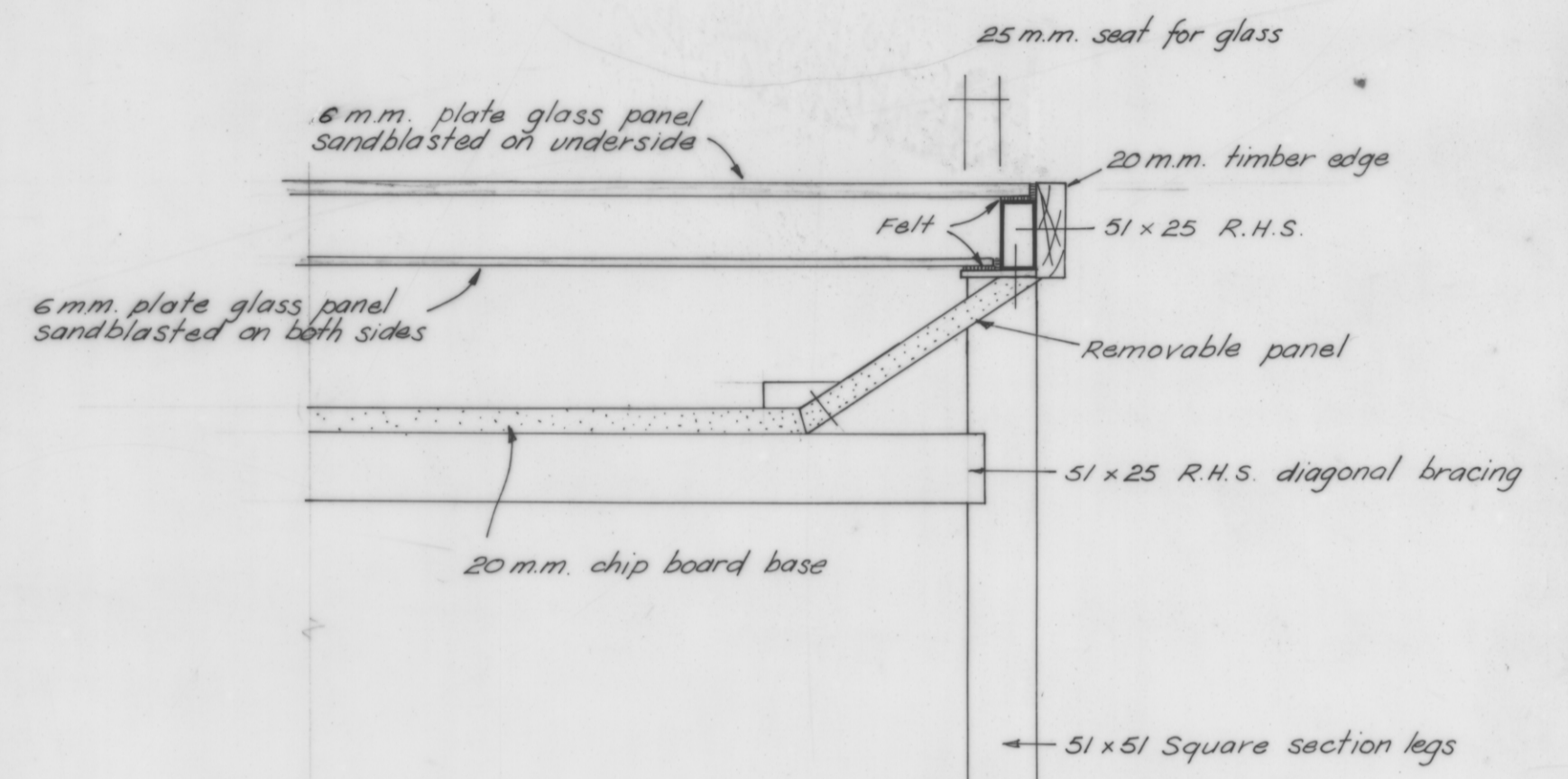
5 cm



ELEVATION

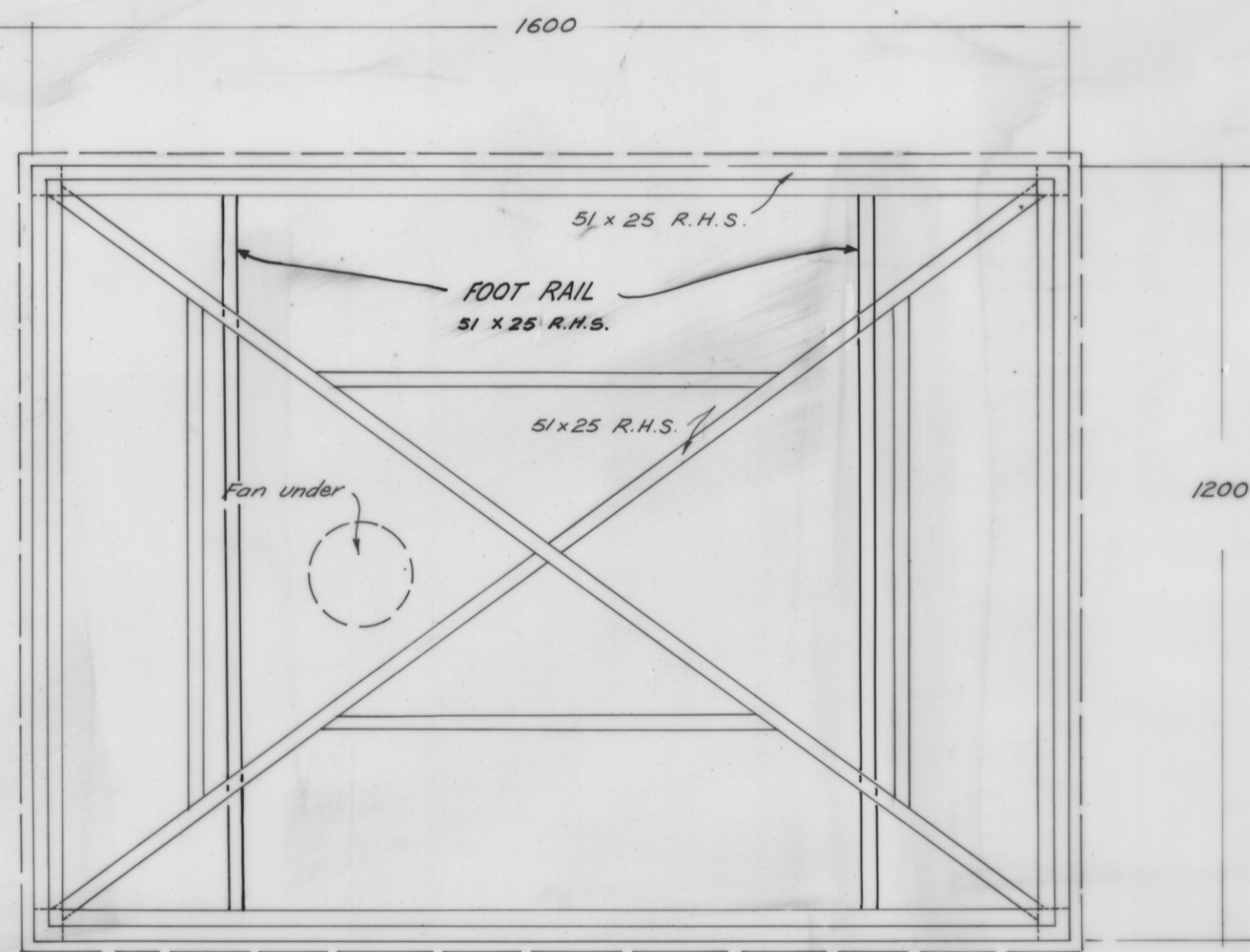


SECTION

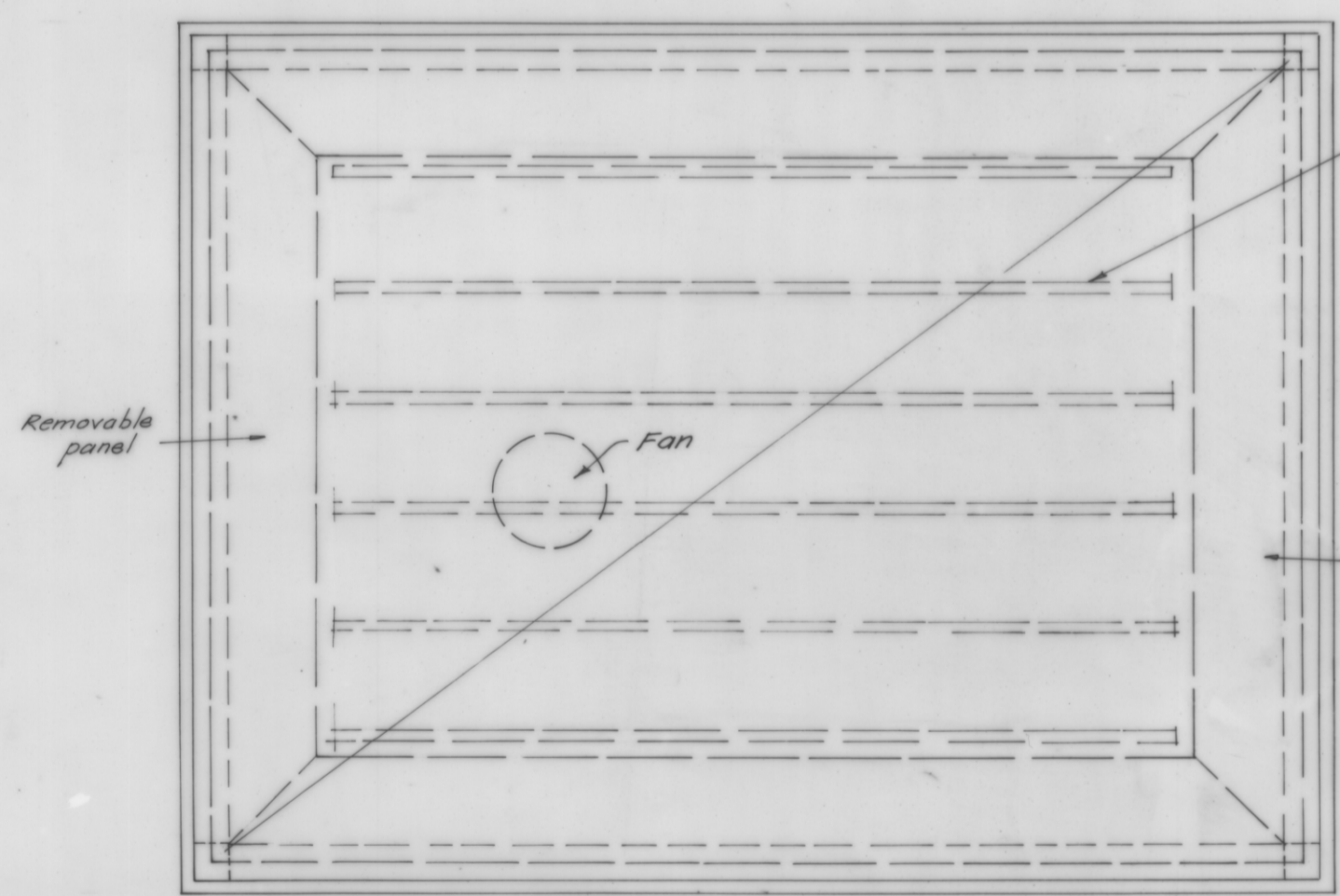


DETAIL AT A

SCALE 1:5



PLAN OF FRAME



PLAN

Six fluorescent fittings 1x40 W, suitable for dimming.
G.E.C. L4531/DM
Dimmer - Osram Dial-a-lite 500 V.A.

Fan - 6" Vent Axia (panel model) with control switch near dimmer.

NOTE

1. "Light well" is to be painted inside with two coats of flat white enamel. Provide ventilation holes to both compartments
2. Allow for providing 3 M. long flex to each table

DEPT. OF MINES

DETAIL OF LIGHT TABLE

DRAWN: D.A.B. DATE: 12.11.81
 CHECKED: D.H. DATE: 12.11.81
 SCALE: 1:10 All dimensions in m.m.