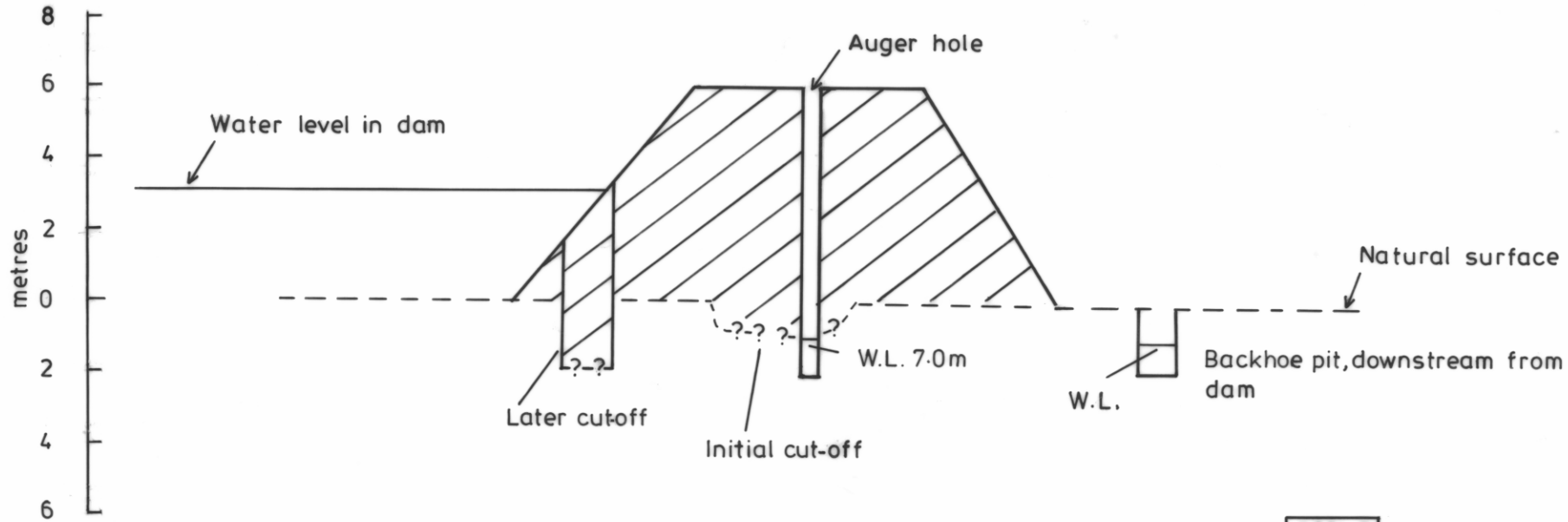


SKETCH CROSS SECTION - CRAIGOW DAM



80

5 cm