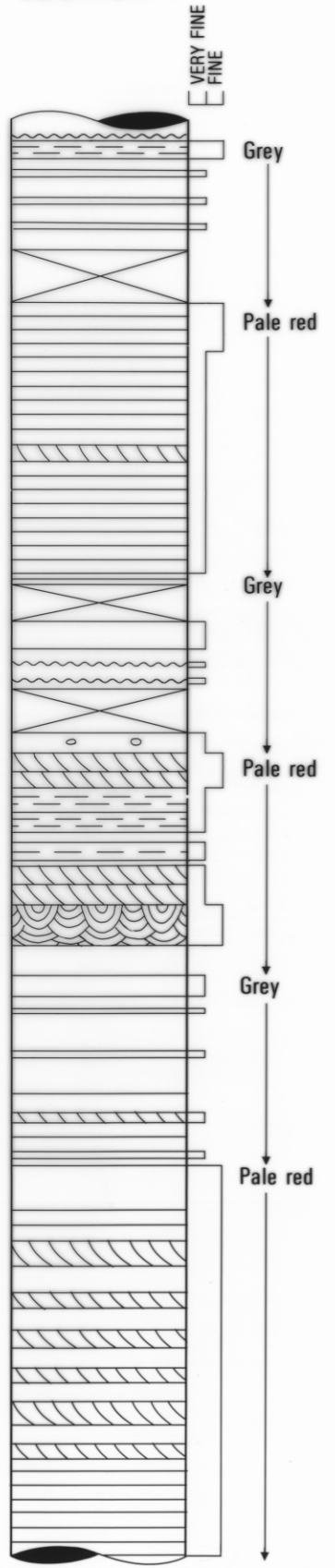


5267 B

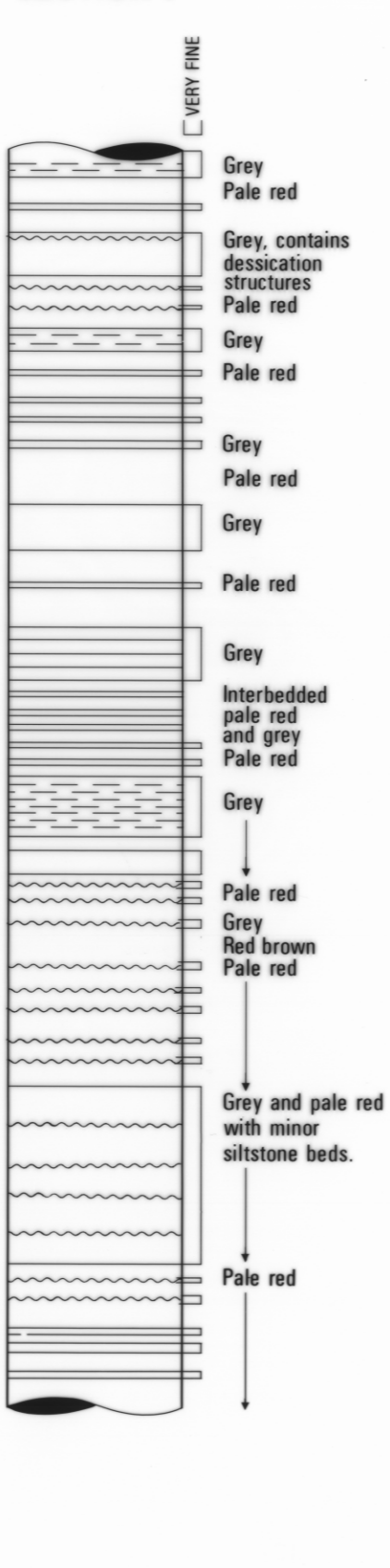
696



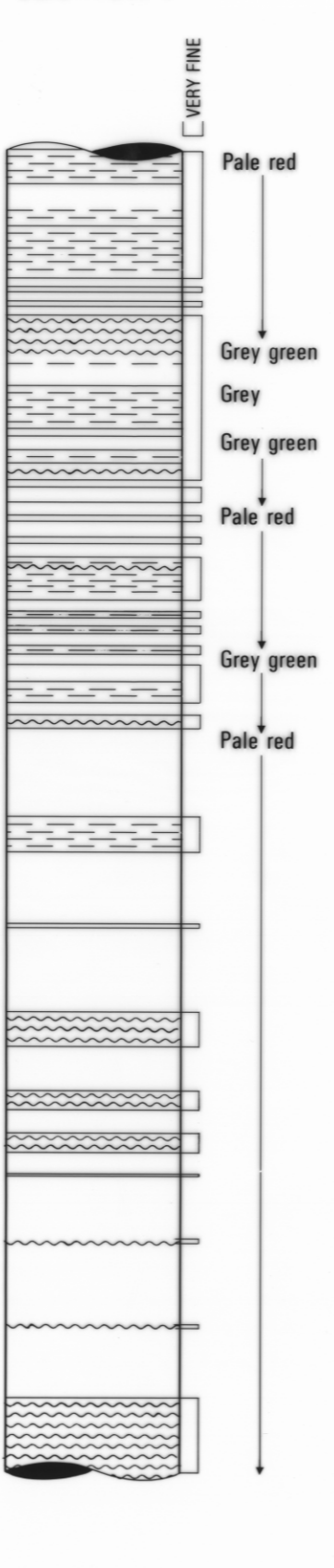
SECTION 4



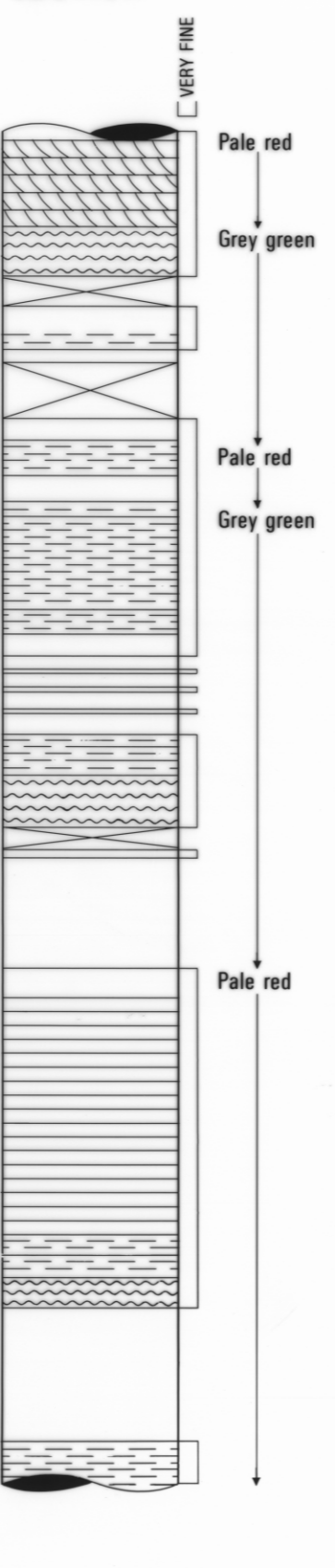
SECTION 5



SECTION 6



SECTION 7



5267 A (Fig 3)
B (Fig 5)
C (Fig 6)