

CAROUSEL MOTOR CONTROL CIRCUIT

FIGURE No.

U/R 1989/35

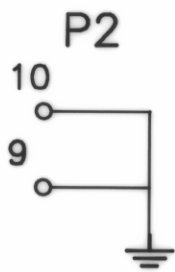
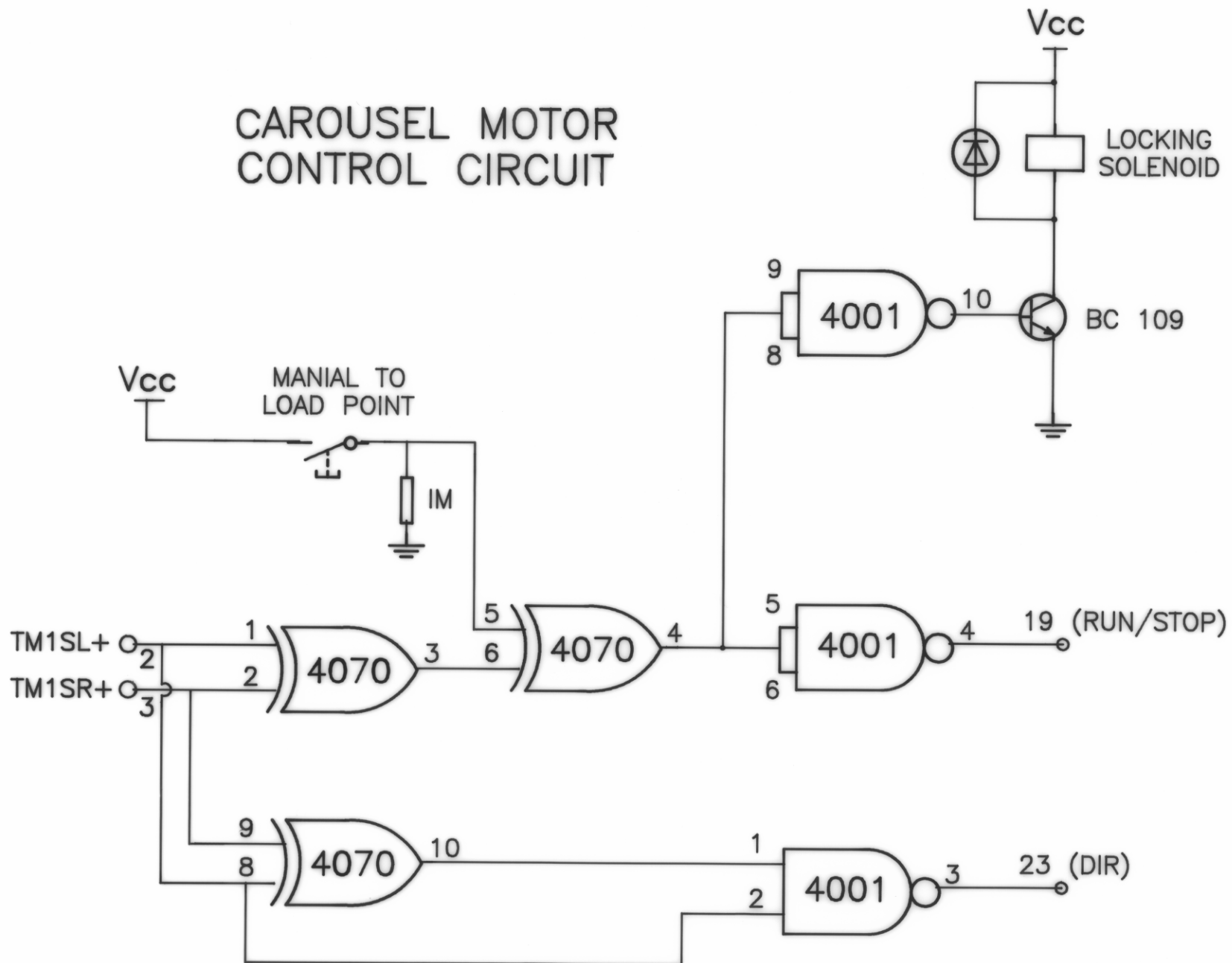
AUTHOR: R. SEDGMAN

TASMANIA DEPARTMENT OF MINES,

DRAFTSPERSON: ASM 09/10/89

5310B

CAROUSEL MOTOR CONTROL CIRCUIT



P2 "D" 15 CONNECTOR

1	NO CONNECTION	-	-
2	NO CONNECTION	-	-
3	NO CONNECTION	-	-
4	NO CONNECTION	-	-
5	END OF TRAY	GREEN	COMMON
6	END OF TRAY	RED	N/O
7	END OF TRAY	GRAY	N/C
8	GROUND	GREEN	-
9	DIRECTION	RED	CCW
10	DIRECTION	GRAY	CW
11	MANUAL TO LOAD POINT	YELLOW	-
12	MANUAL TO LOAD POINT	BLUE	-
13	TRAY DETECT	BLACK	COMMON
14	TRAY DETECT	YELLOW	N/O
15	TRAY DETECT	BLUE	N/C

5 cm

62

5310B