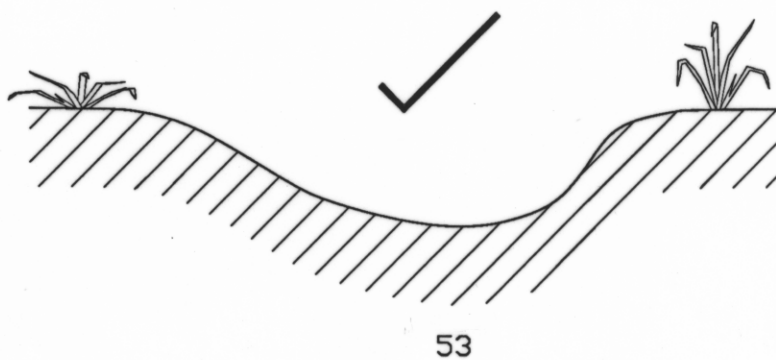
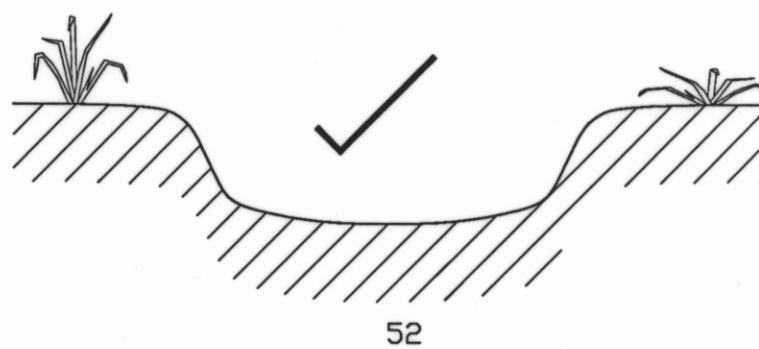
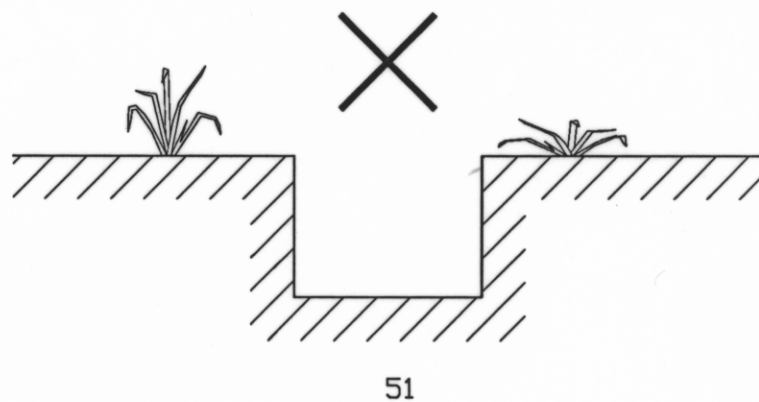
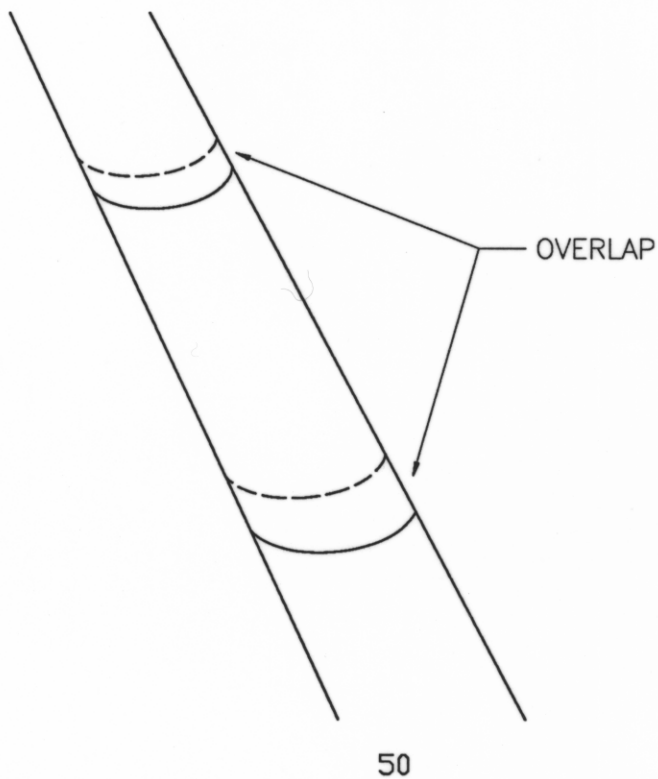
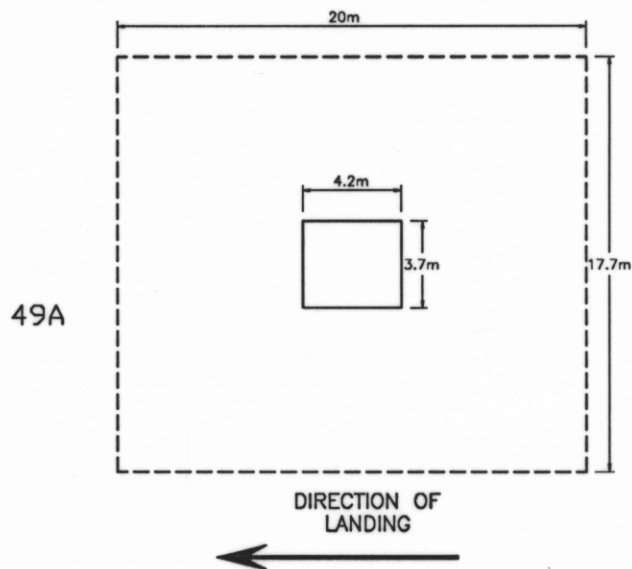
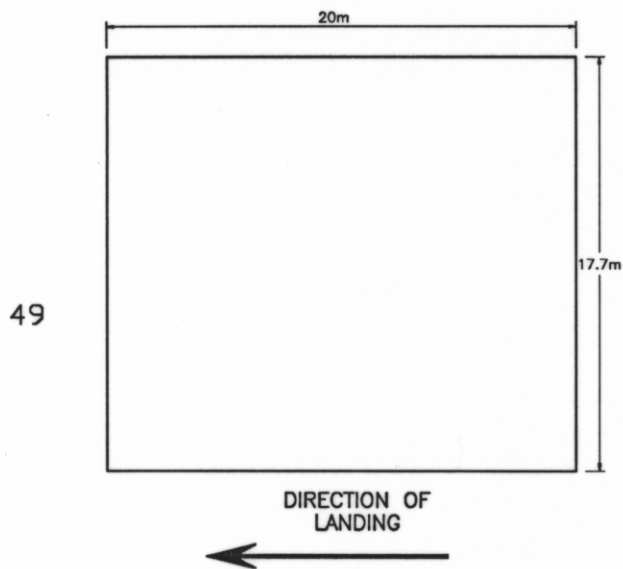


5 cm

167



HELIPAD SIZES; DRAINAGE & PITS
 PUBLICATION: MINERAL EXPLORATION PRACTICE
 AUTHOR: C.A. BACON
 DRAFTSMAN: A.S.McGUINNESS
 DATE: MARCH 1990