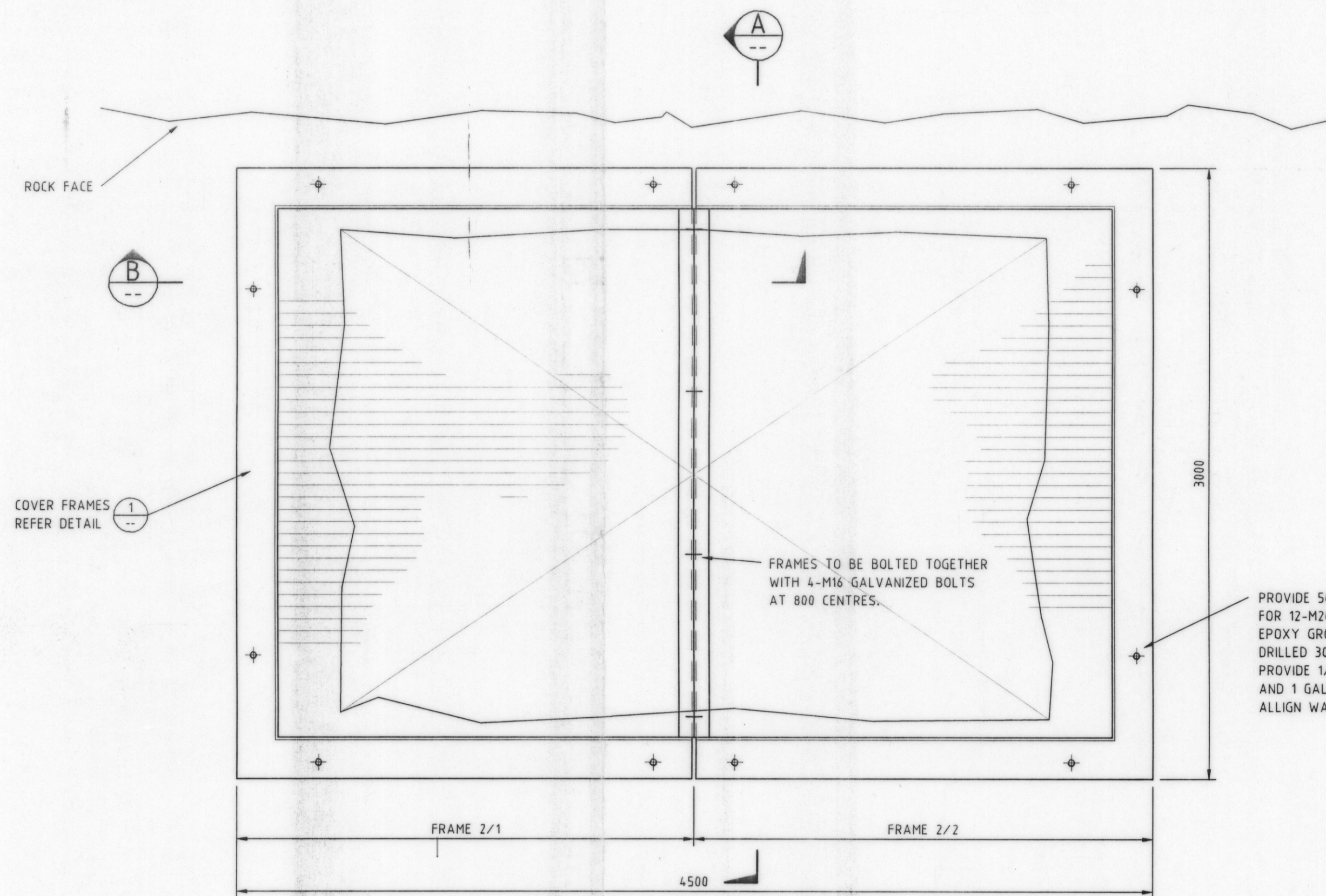


5845B

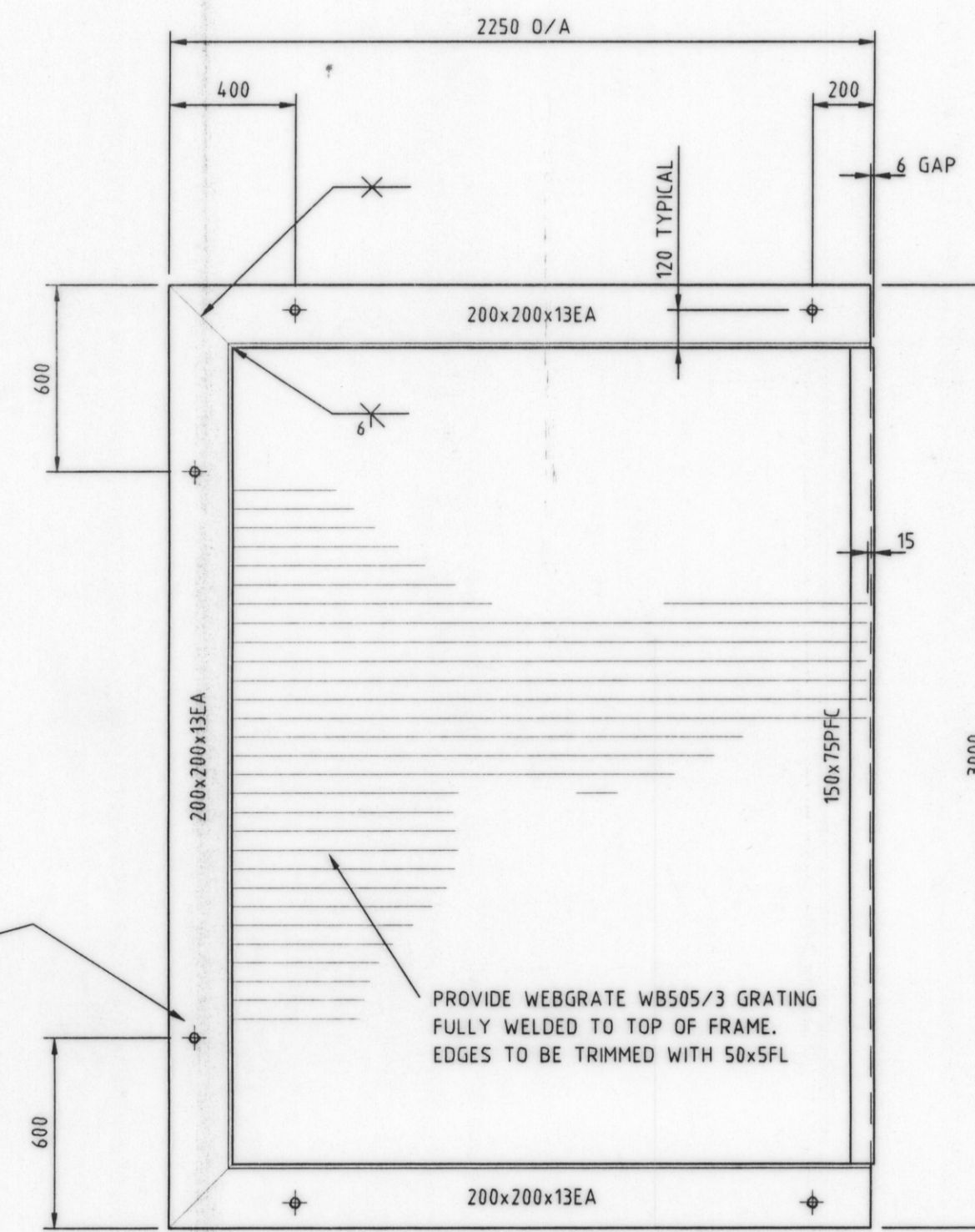
603

DETAILS 2/3

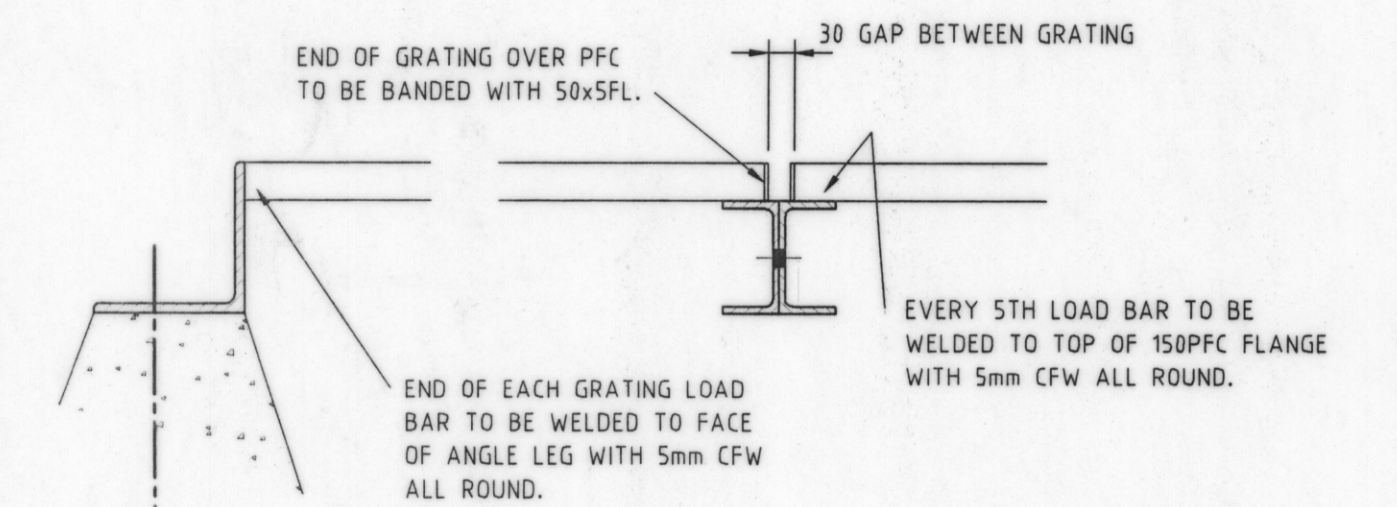
5 cm



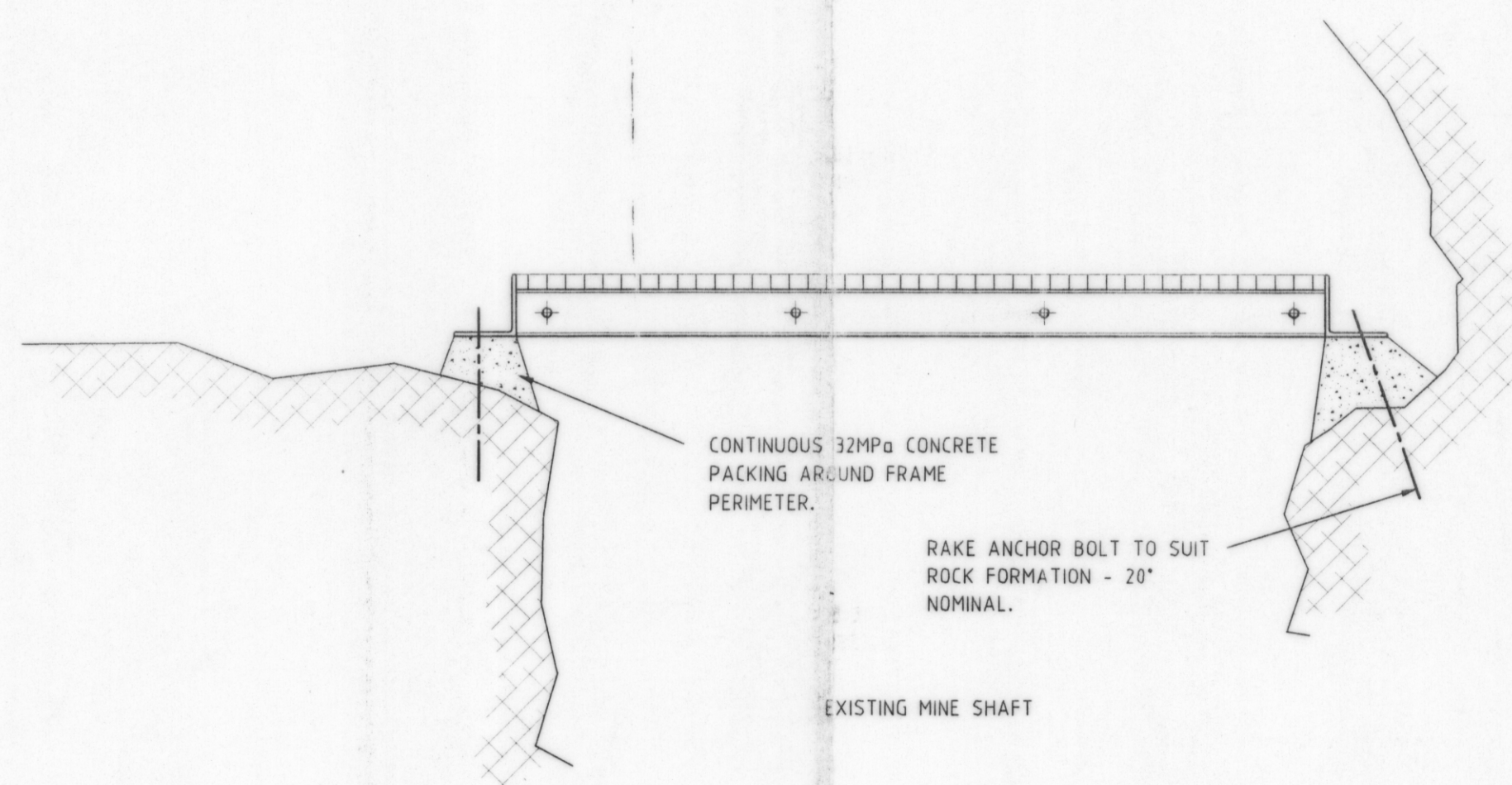
SHAFT COVERS - PLAN
GREAT REPUBLIC MINE - No 2 UNDERLAY SHAFT



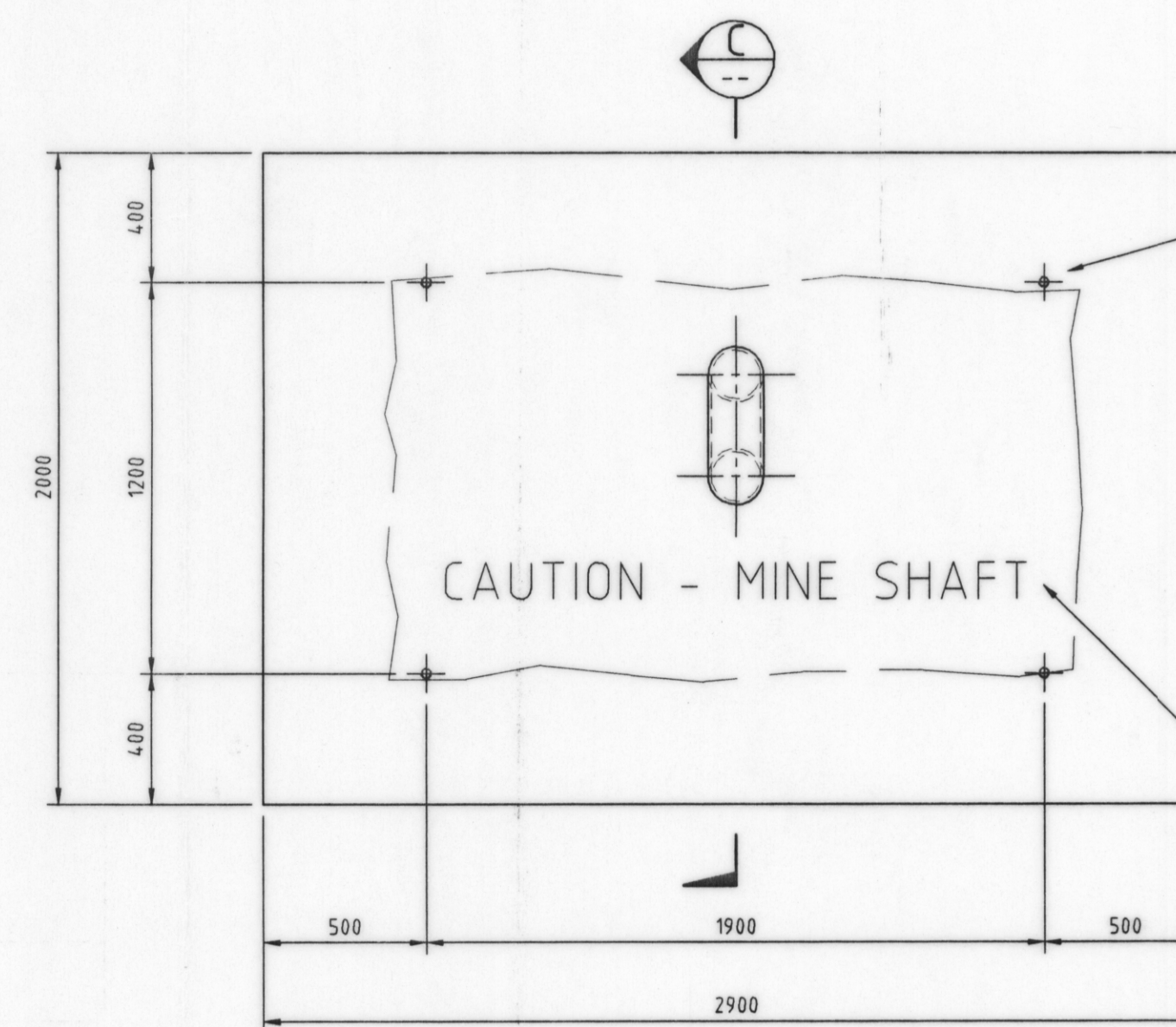
DETAIL 1
COVER FRAMES 1 AND 2
2 OFF AS DRAWN



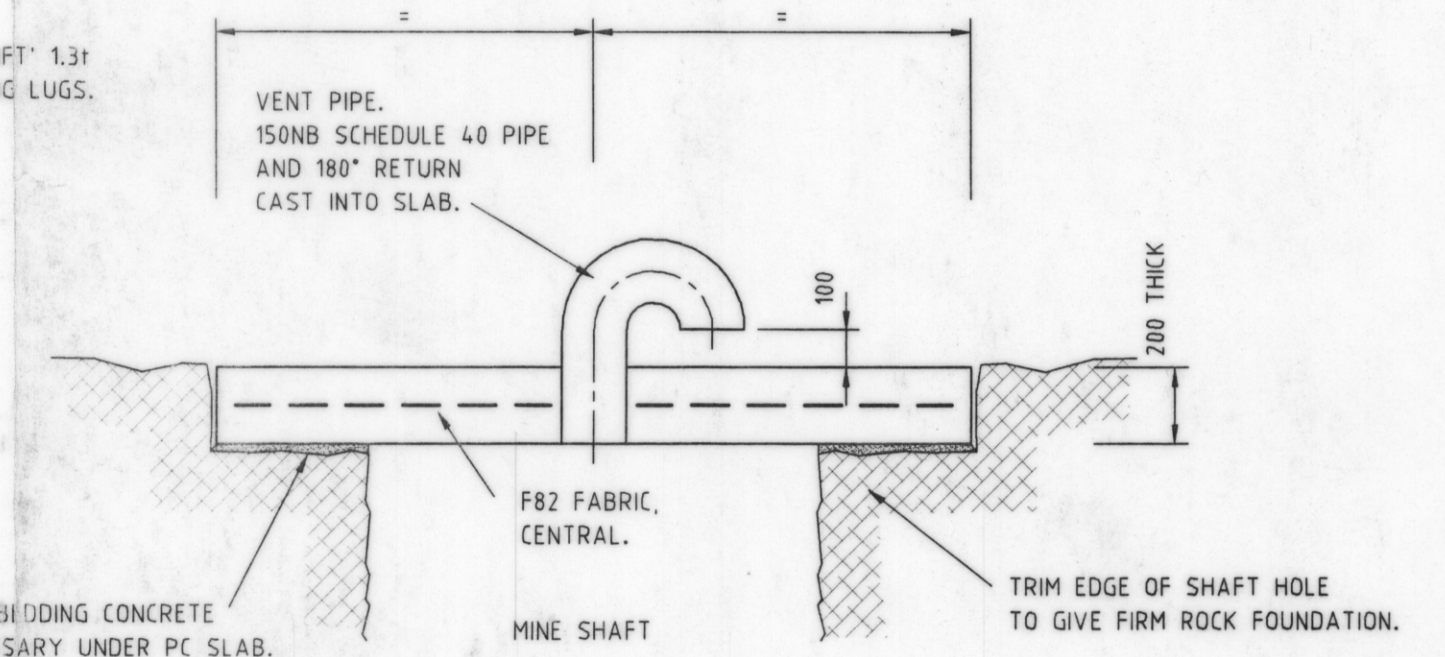
SECTION B
SCALE 1:10



SECTION A



MINE SHAFT 'X'
RC SHAFT COVER
SCALE 1:20



SECTION C
SCALE 1:20

NOTE:

1. CONCRETE STRENGTH - $f_c = 32MPa$ AT 28 DAYS.
2. ALL WELDS TO BE 6mm CFW UNLESS NOTED OTHERWISE.
3. ALL STEELWORK TO BE HOT DIP GALVANIZED AFTER FABRICATION.
4. ALL BOLTS TO BE GALVANIZED M12/4.6/5 UNLESS OTHERWISE NOTED.
5. ALL BOLTS TO BE WELL BURRED AFTER INSTALLATION.

REV. No	Date	Description

Thompson & Brett Pty. Ltd.
Consulting Engineers
6 Bayfield Street,
Roanby Park, 7018
Phone (03) 6244 6633
Fax. (03) 6244 6221
E-mail: tb@trump.net.au

Design	RC	Date	APR '99	Scale	1:20 UNO	A1
Drawn	MFL	Date	APR '99	File	MINES-09	
Design Check		Date		Controlled Document	Yes	No
Drawing Check		Date		Approved		Director

Client & Project
MINERAL RESOURCES TASMANIA
GIPPS CREEK OPEN SHAFTS

Drawing Title MINE SHAFT COVERS	
CONCRETE AND STEELWORK DETAILS - 2/3	
Acad Name 183002	Issue AS CONSTRUCTED
Geocomp No.	Drawing No. 99 - 1830 - 02

See file 68884 P74