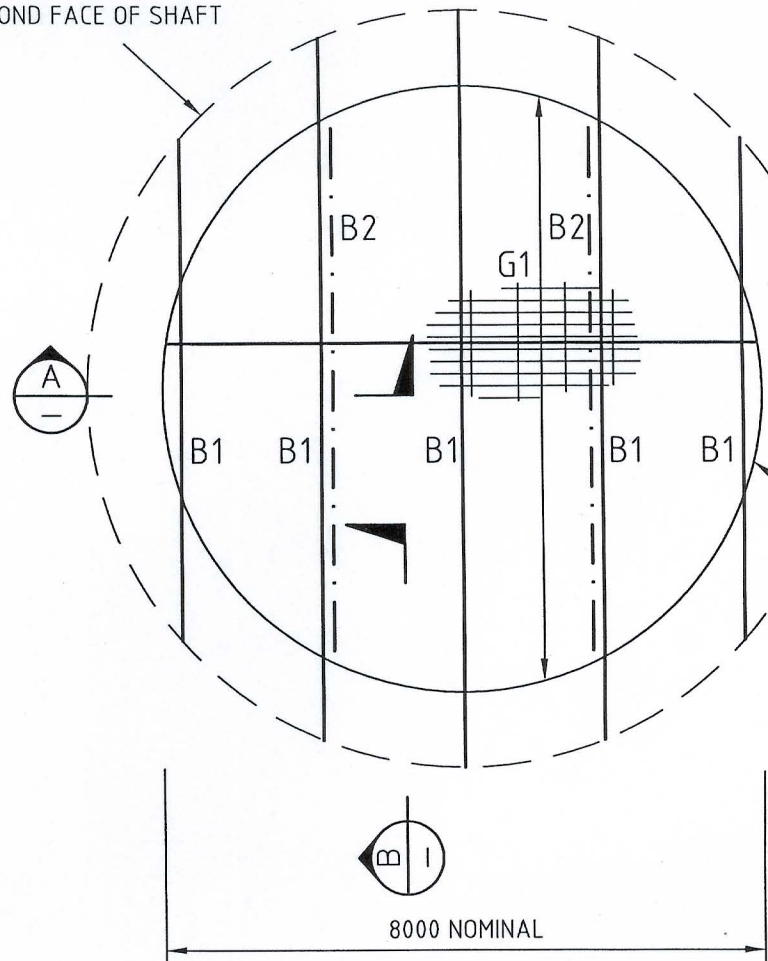


ALL STEELWORK TO EXTEND
1m BEYOND FACE OF SHAFT



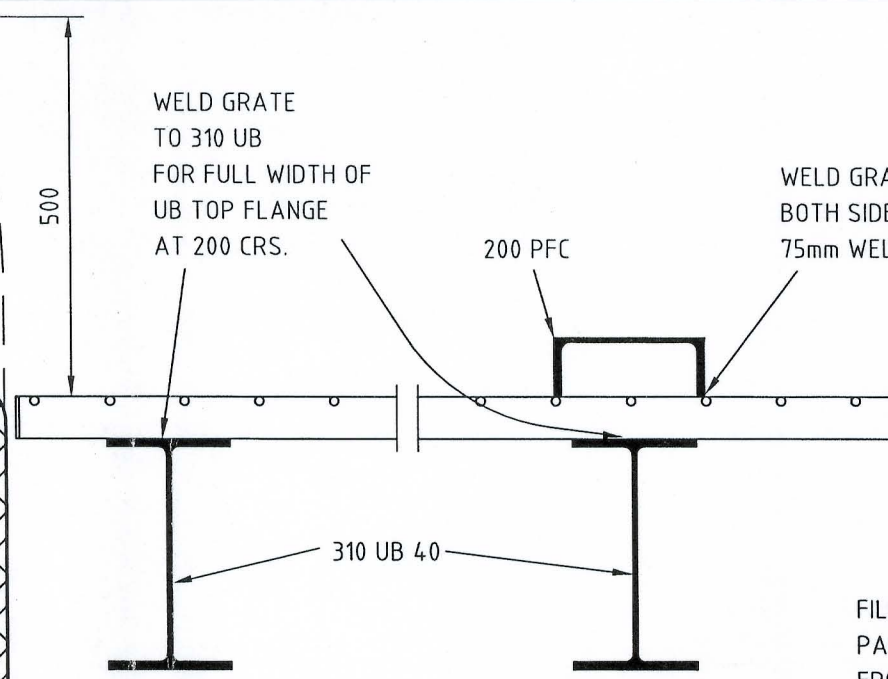
STEEL MARKING PLAN
SCALE 1:100

EXCAVATE EXISTING
SHAFT TO 500 x 600
BATTER.

EXISTING MINE
SHAFT TO BE COVERED
IN WITH STEEL FRAMING
AND WEBFORGE GRATING.

WELD GRATE
TO 310 UB
FOR FULL WIDTH OF
UB TOP FLANGE
AT 200 CRS.

WELD GRATE CROSS BARS
BOTH SIDES OF 200 PFC
75mm WELD AT 300 CRS



SECTION A
SCALE 1:20

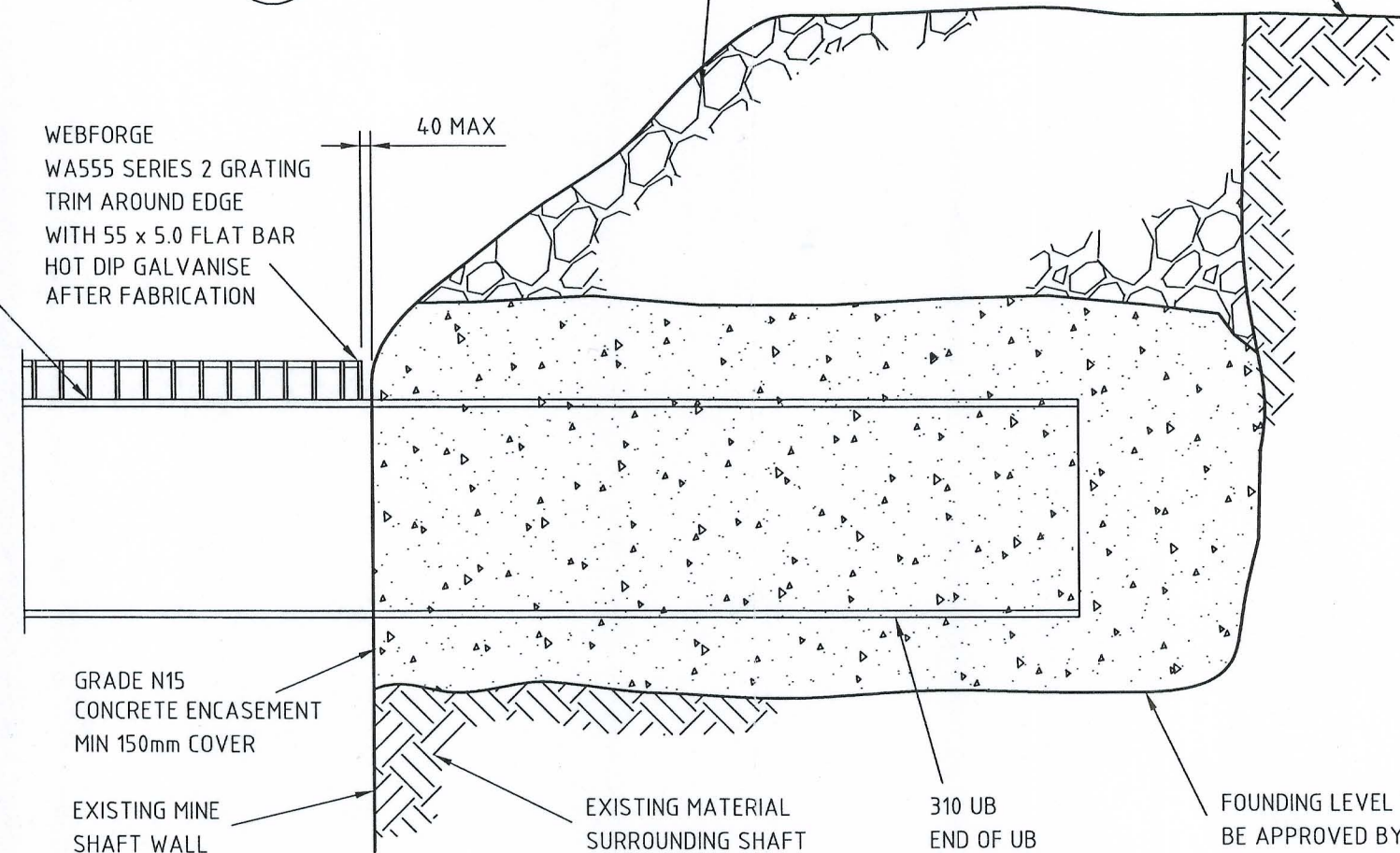
FILL OVER CONCRETE
PADS WITH SHALE
FROM SITE.

CLEAR AWAY
EXISTING VEGETATION.
AROUND EXISTING MINE SHAFT

WELD GRATE
TO 310 UB
FOR FULL WIDTH OF
PFC TOP FLANGE
AT 200 CRS.
MAKE GOOD GALVANIC
PROTECTION AFTER
SITE WELDING.

WEBFORGE
WA555 SERIES 2 GRATING
TRIM AROUND EDGE
WITH 55 x 5.0 FLAT BAR
HOT DIP GALVANISE
AFTER FABRICATION

40 MAX



GRADE N15
CONCRETE ENCASEMENT
MIN 150mm COVER

EXISTING MINE
SHAFT WALL

EXISTING MATERIAL
SURROUNDING SHAFT

310 UB
END OF UB
A MIN OF 1000mm
FROM NEAREST SURFACE
OF SHAFT.

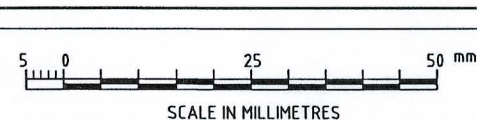
FOUNDING LEVEL TO
BE APPROVED BY
ENGINEER.

SECTION B
SCALE 1:20

MARK	DESCRIPTION	REMARKS
G1	WEBFORGE WA555 SERIES 2 GRATE	GALVANISED MAX CLEAR SPAN 2200
B2	200 PFC	GALVANISED
B1	310 UB 40	GALVANISED

STEELWORK SCHEDULE

REV	DETAILS	DATE
	ISSUED FOR APPROVAL	29/04/02



Copyright ©
THIS DOCUMENT IS AND SHALL REMAIN THE PROPERTY OF PITT & SHERRY CONSULTING ENGINEERS. THE DOCUMENT MAY ONLY BE USED FOR THE PURPOSE FOR WHICH IT WAS COMMISSIONED AND IN ACCORDANCE WITH THE TERMS OF ENGAGEMENT FOR THE COMMISSION. UNAUTHORISED USE OF THIS DOCUMENT IN ANY WAY IS PROHIBITED.

INITIALS	DATE
DESIGNED C.L.	24-4-02
DRAWN BRAYE	24-4-02
CHECKED BRAYE	24-4-02
REVIEWED N.B.	24-4-02
APPROVED	DATE

PITT & SHERRY
CONSULTING ENGINEERS
PROJECT MANAGERS
ENVIRONMENTAL SCIENTISTS
BUILDING SURVEYORS
ABN 77 009 586 083
LAUNCESTON TAS. PH. (03) 6323 1900
DEVONPORT TAS. PH. (03) 8424 1841
HOBART TAS. PH. (03) 6223 1900
MELBOURNE VIC. PH. (03) 9882 5280
MORNINGTON VIC. PH. (03) 5977 2407
DILI EAST TIMOR PH. INDIVIDUAL MOBILE

MINERAL RESOURCES TASMANIA
BANGOR SHAFT COVER
CONTRACT TITLE
SCALE AS SHOWN
A3 SIZE
SHEET NO. 1 OF 2

MARKING PLAN
STRUCTURAL DETAILS
DRAWING TITLE
CLIENT NO.
DRAWING NO. L02043-S1
REV.

FOR APPROVAL