

671

361

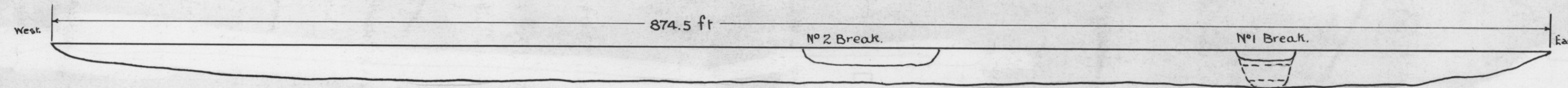
5 cm

# NATIVE LASS DAM

## PROPOSED REPAIRS

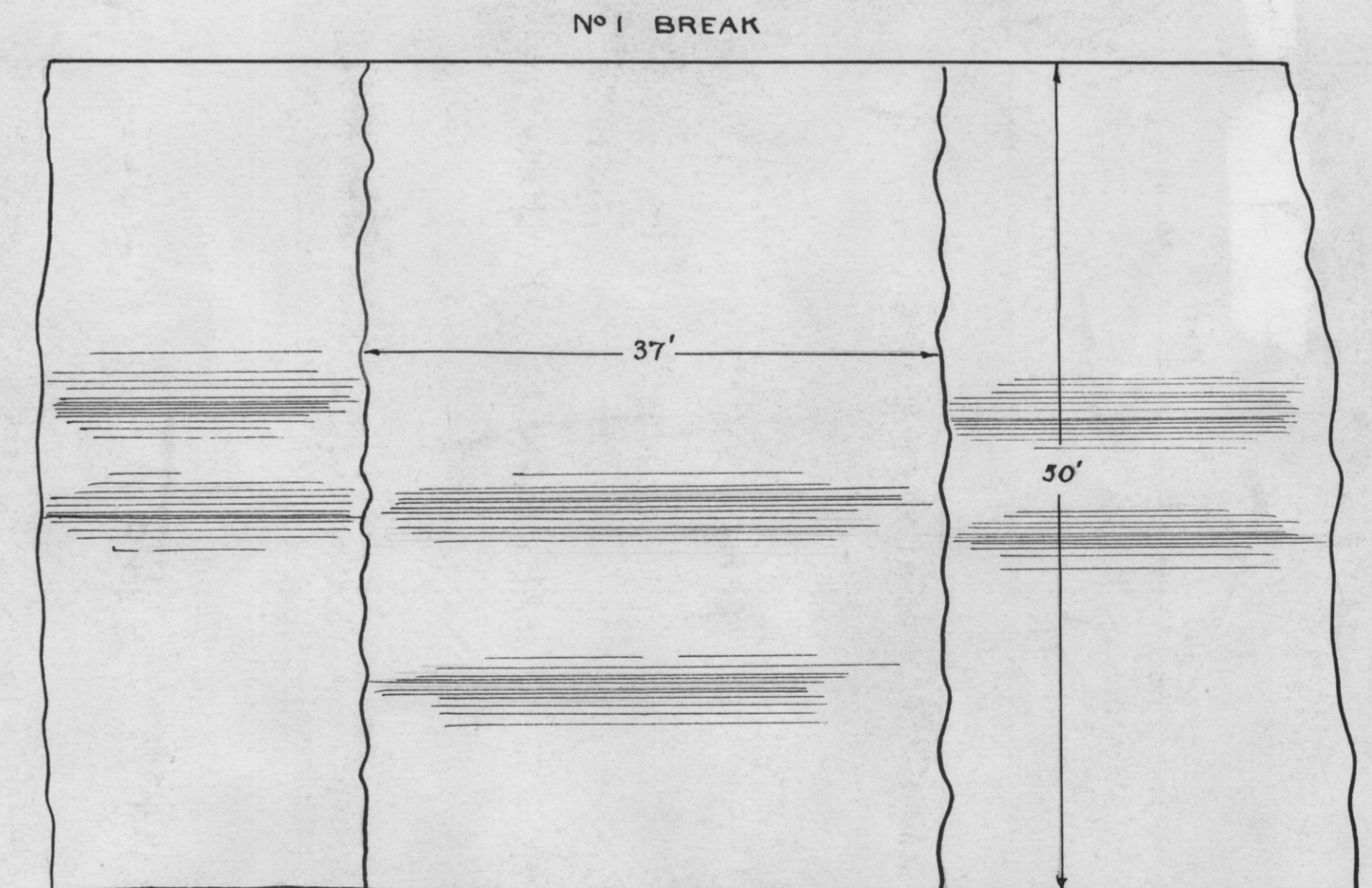
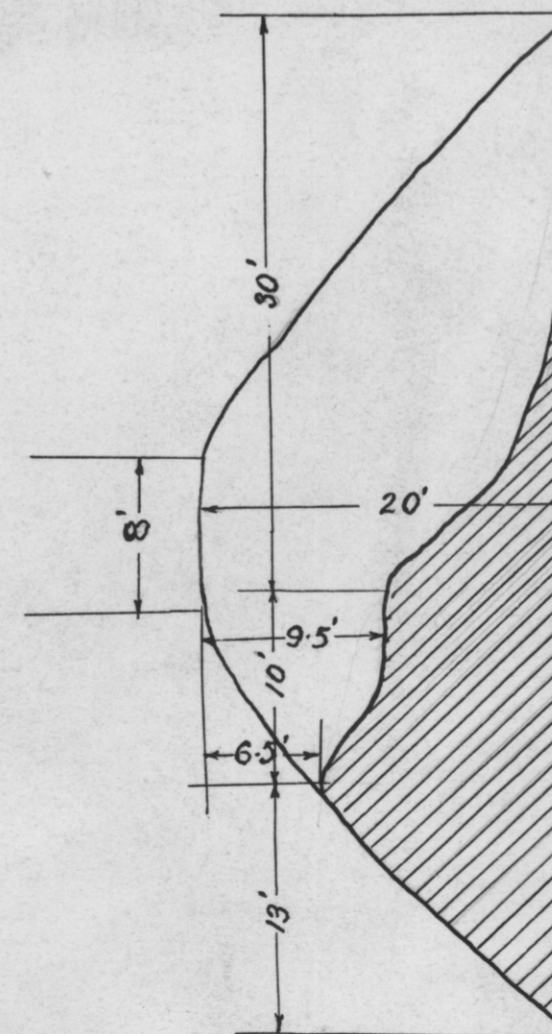
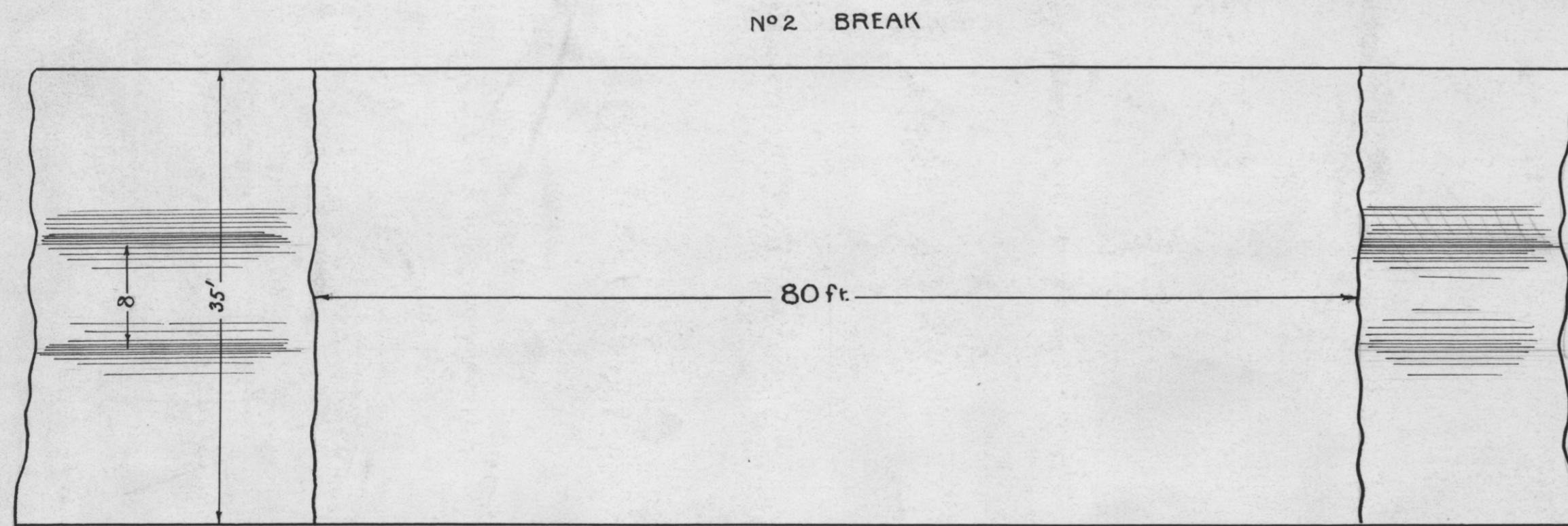
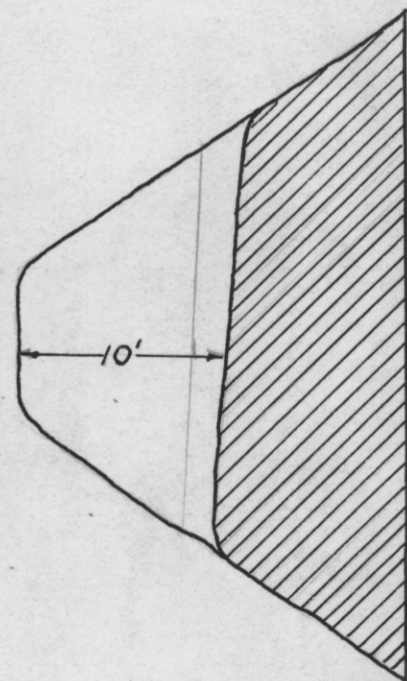
Scale lin = 50 feet.

Elevation



Plans & Sections

Scale lin = 10 ft.



*J. B. Scott*  
 State Mining Engineer.  
 21. 3. 29

671/24

7-671