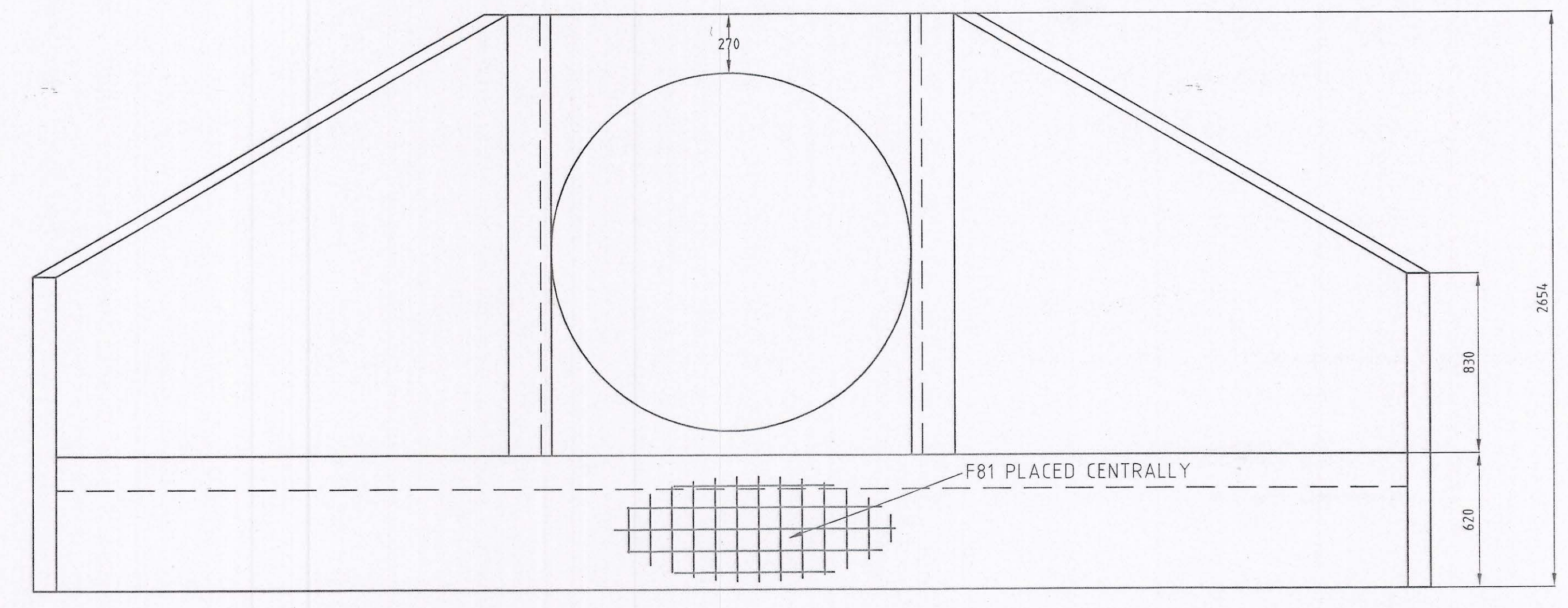
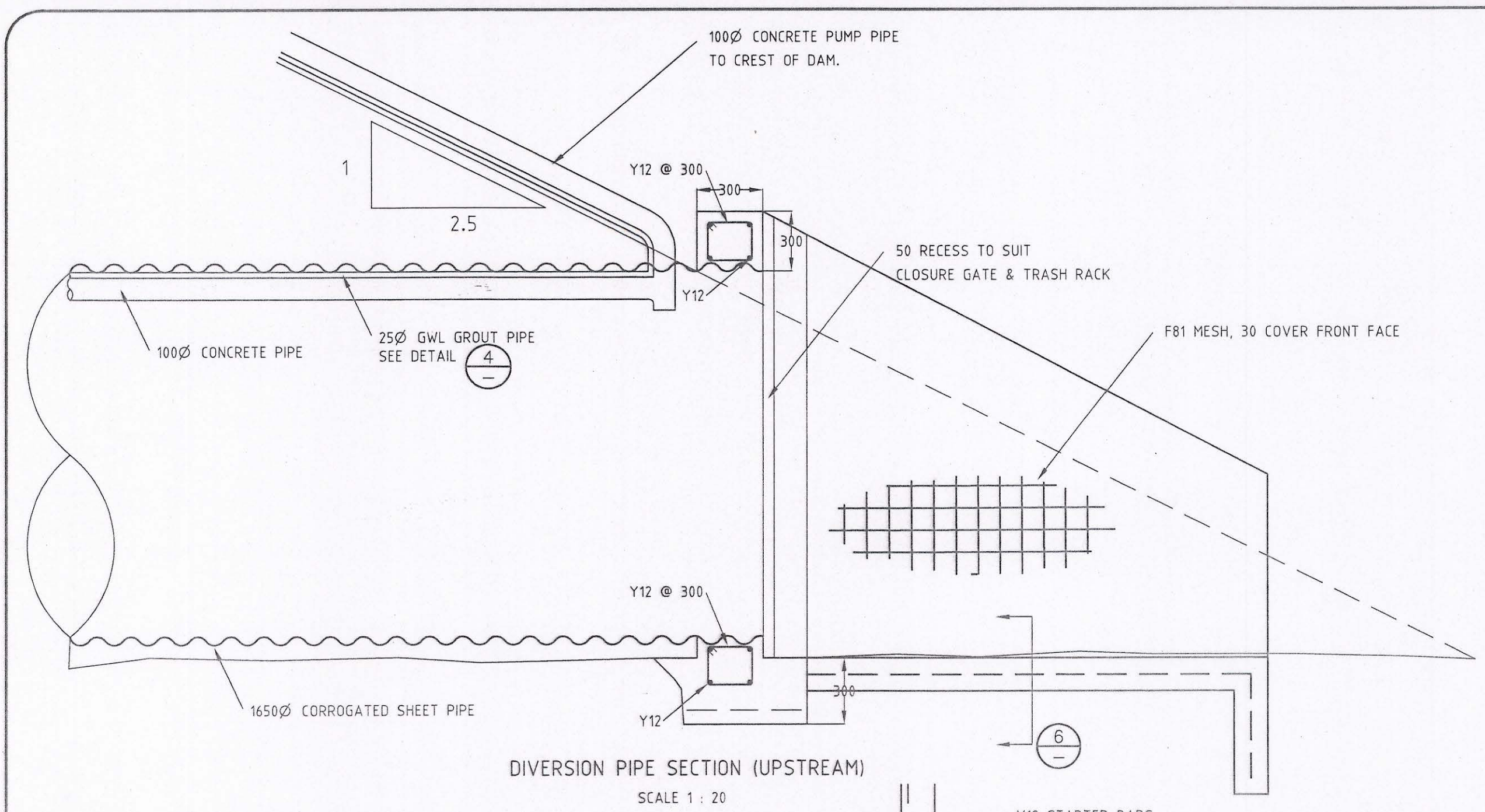
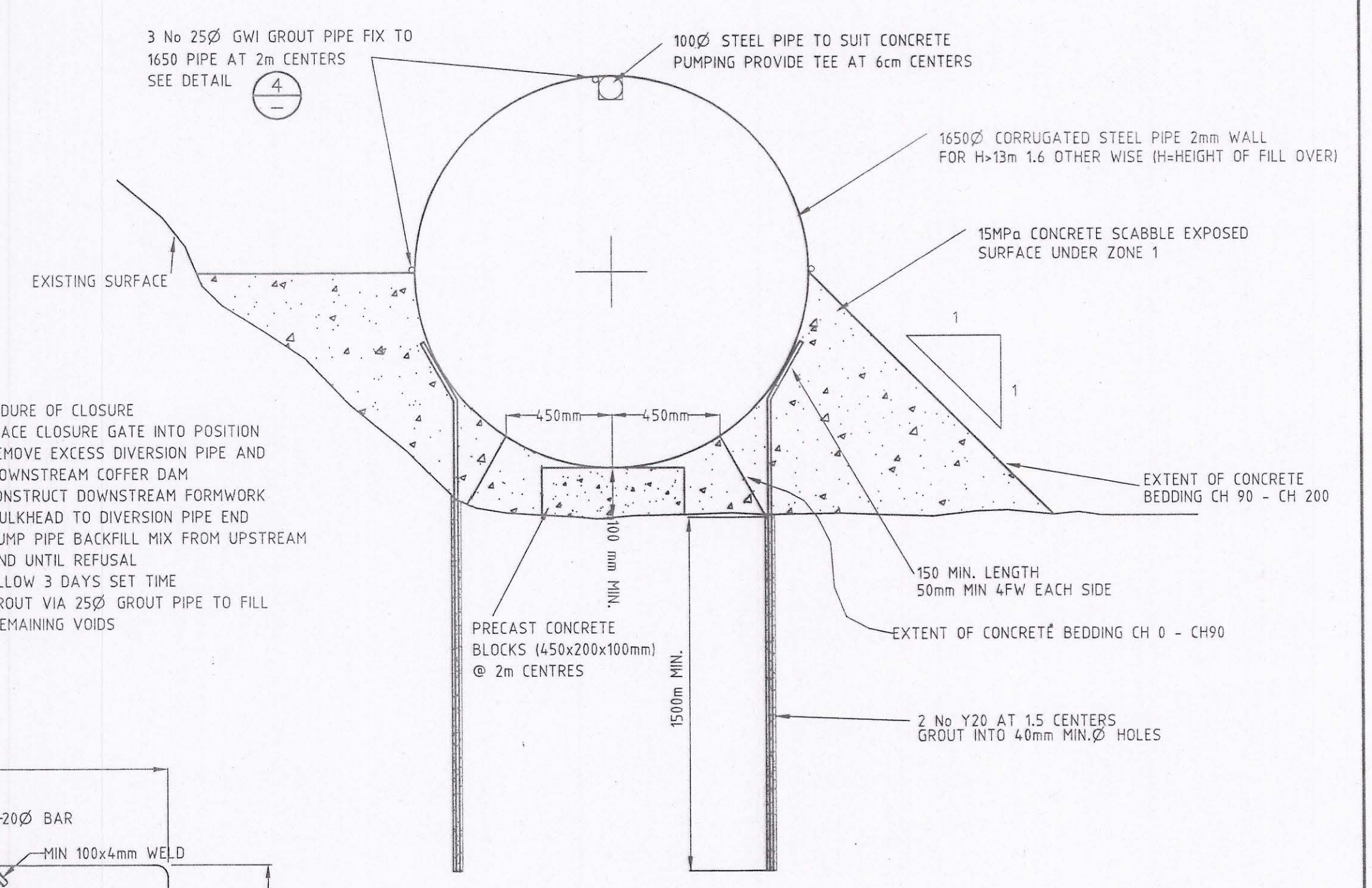
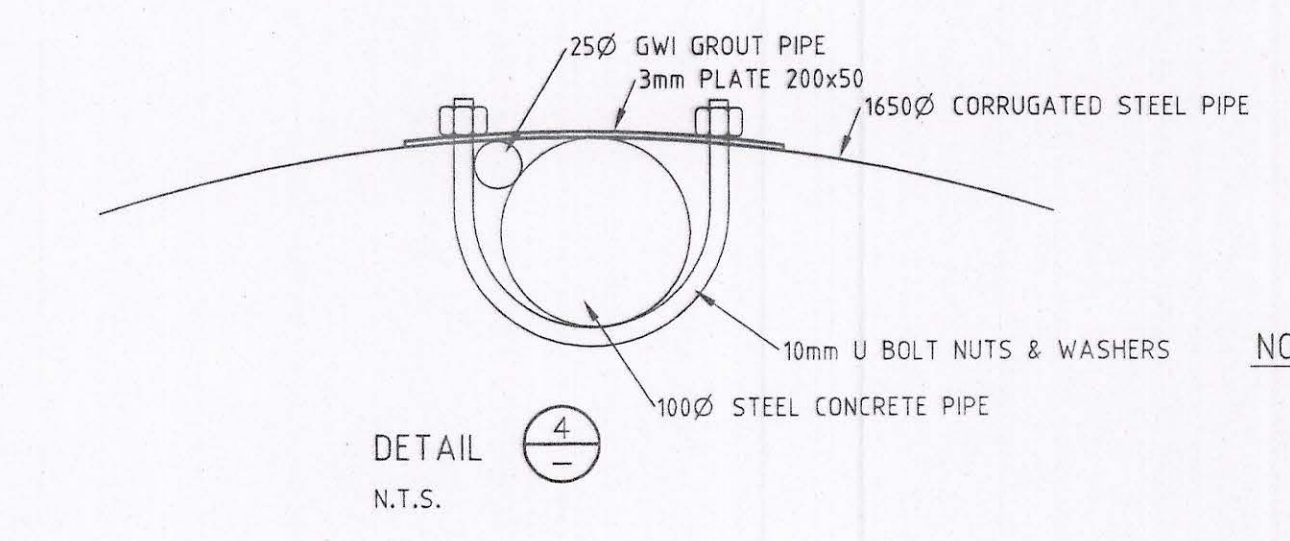
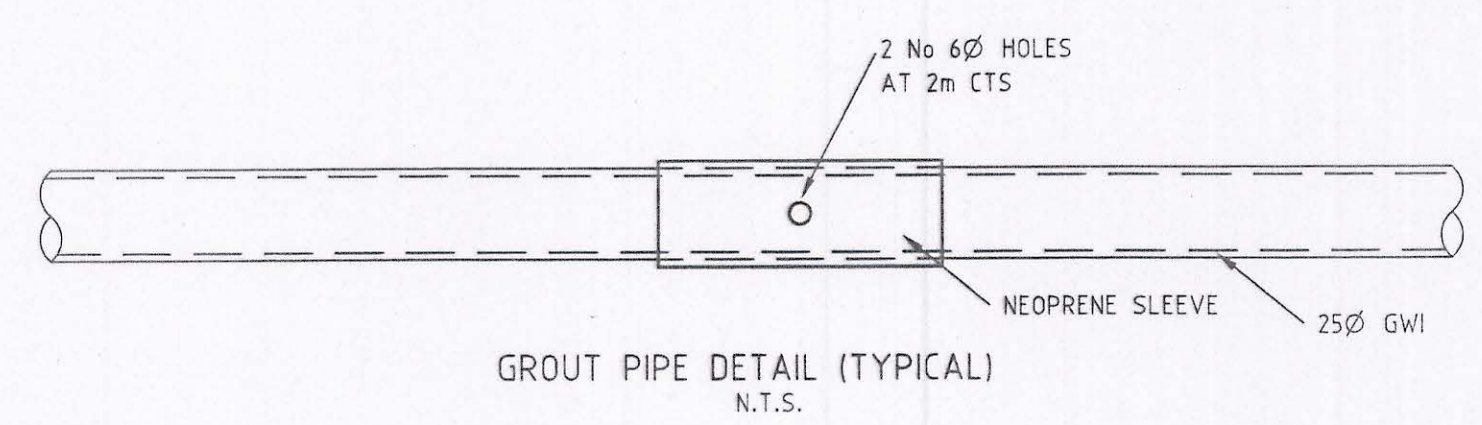
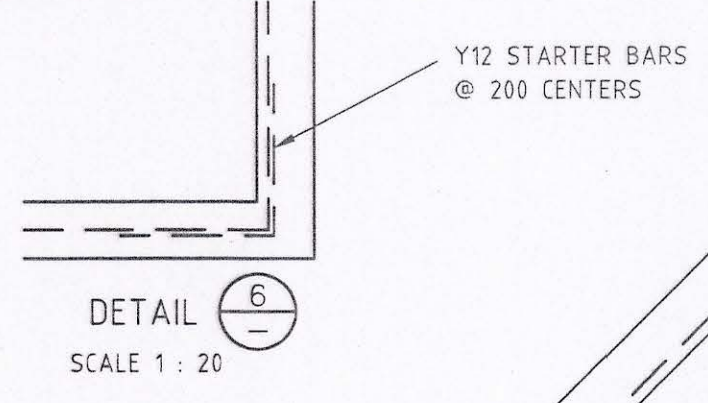


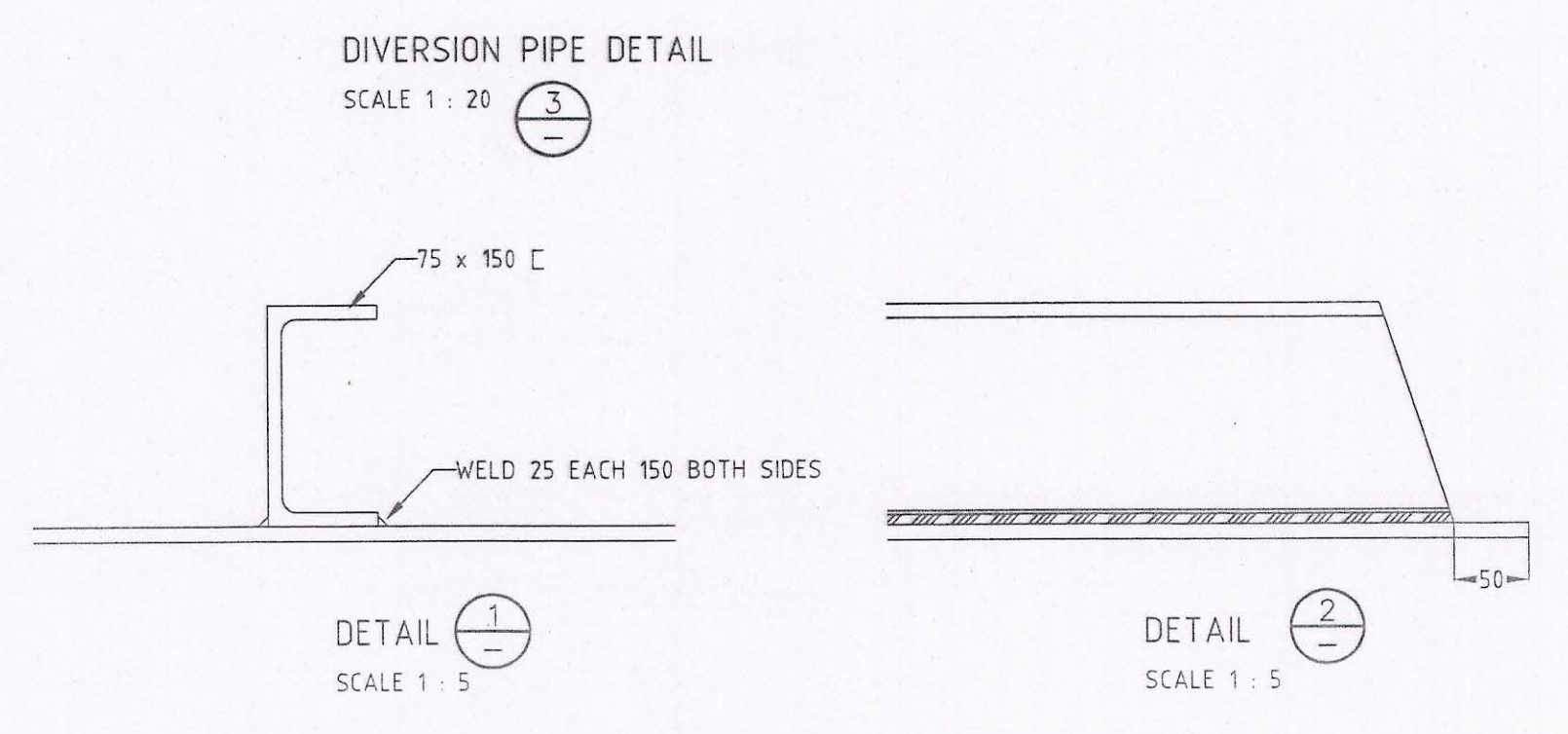
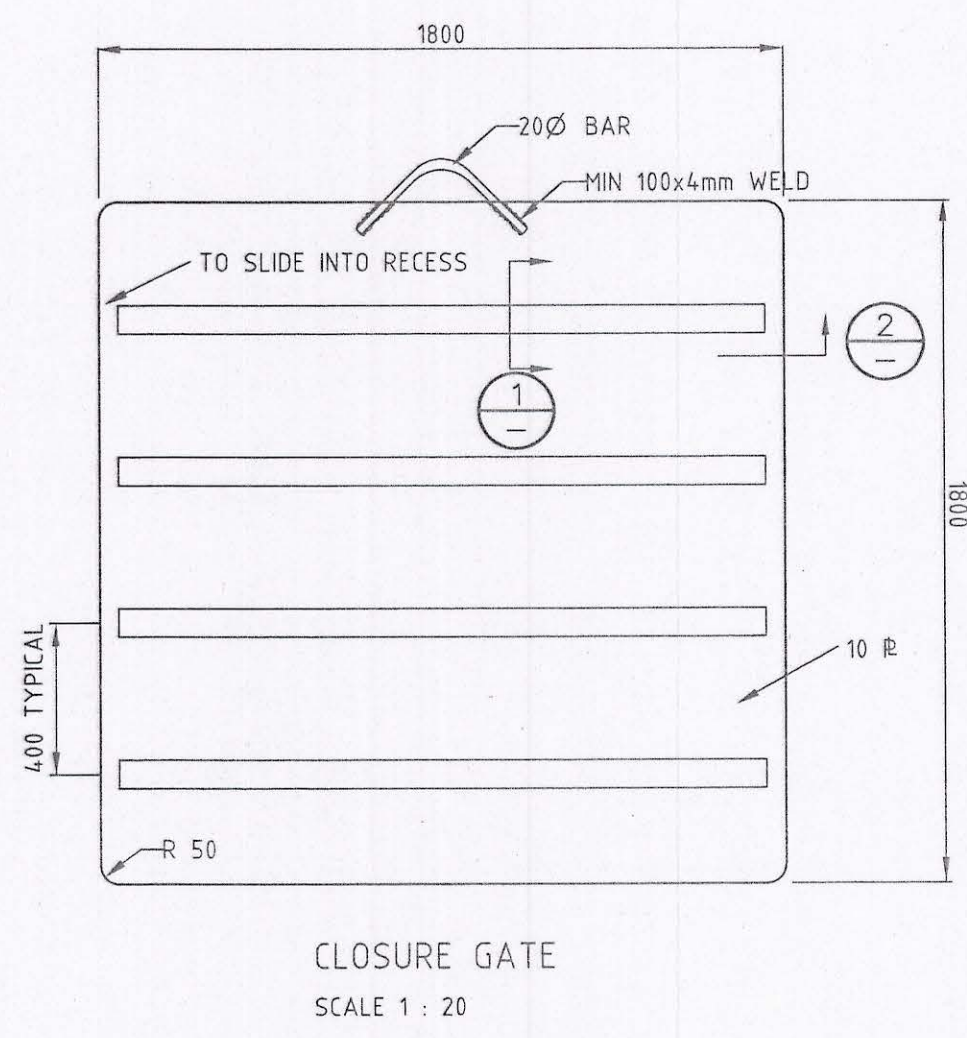
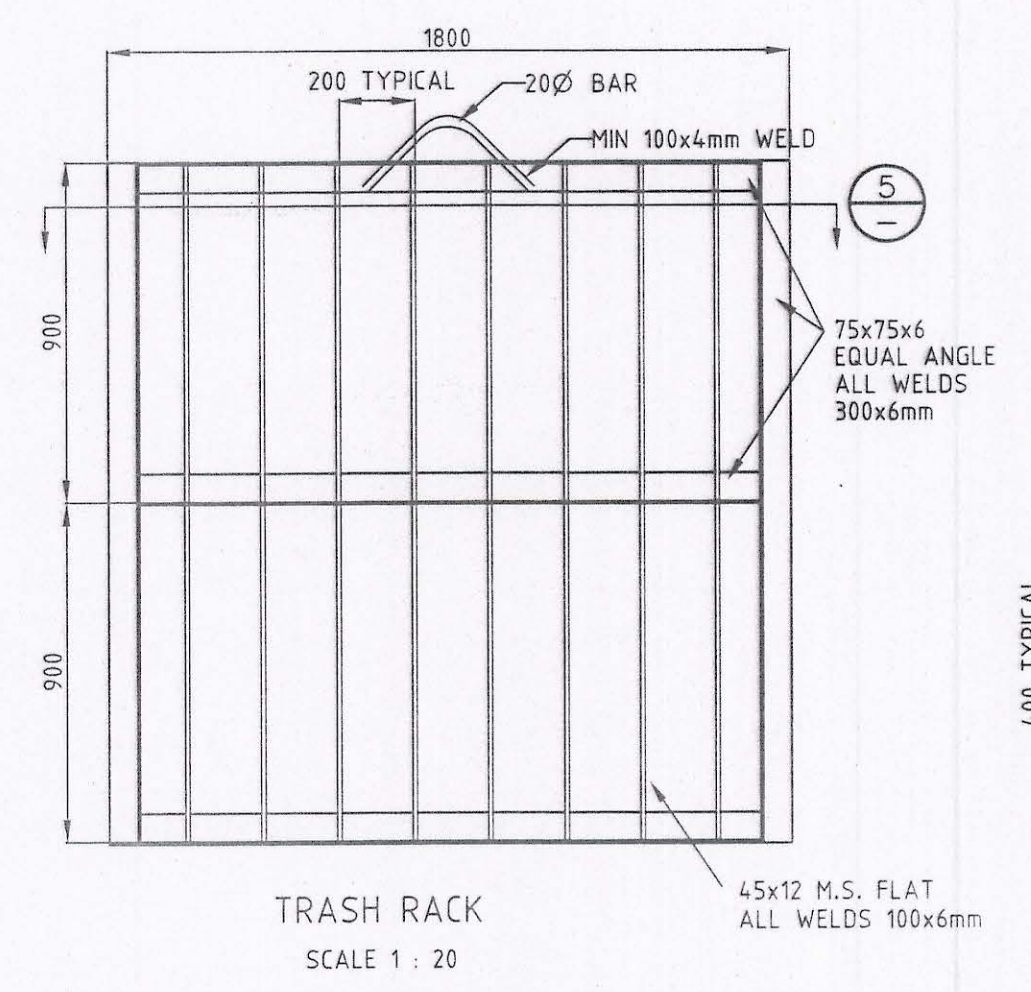
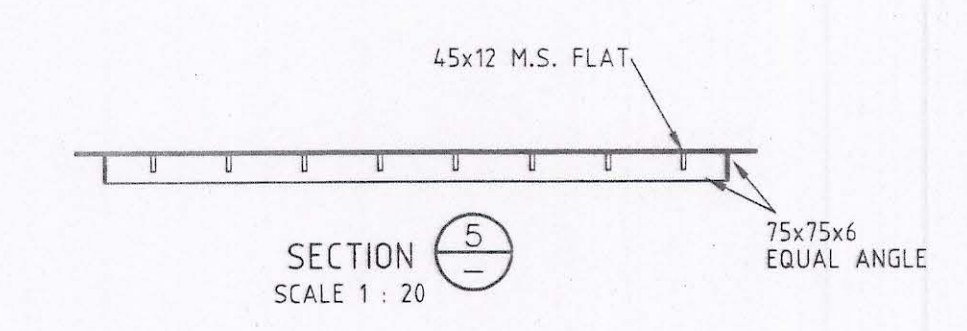
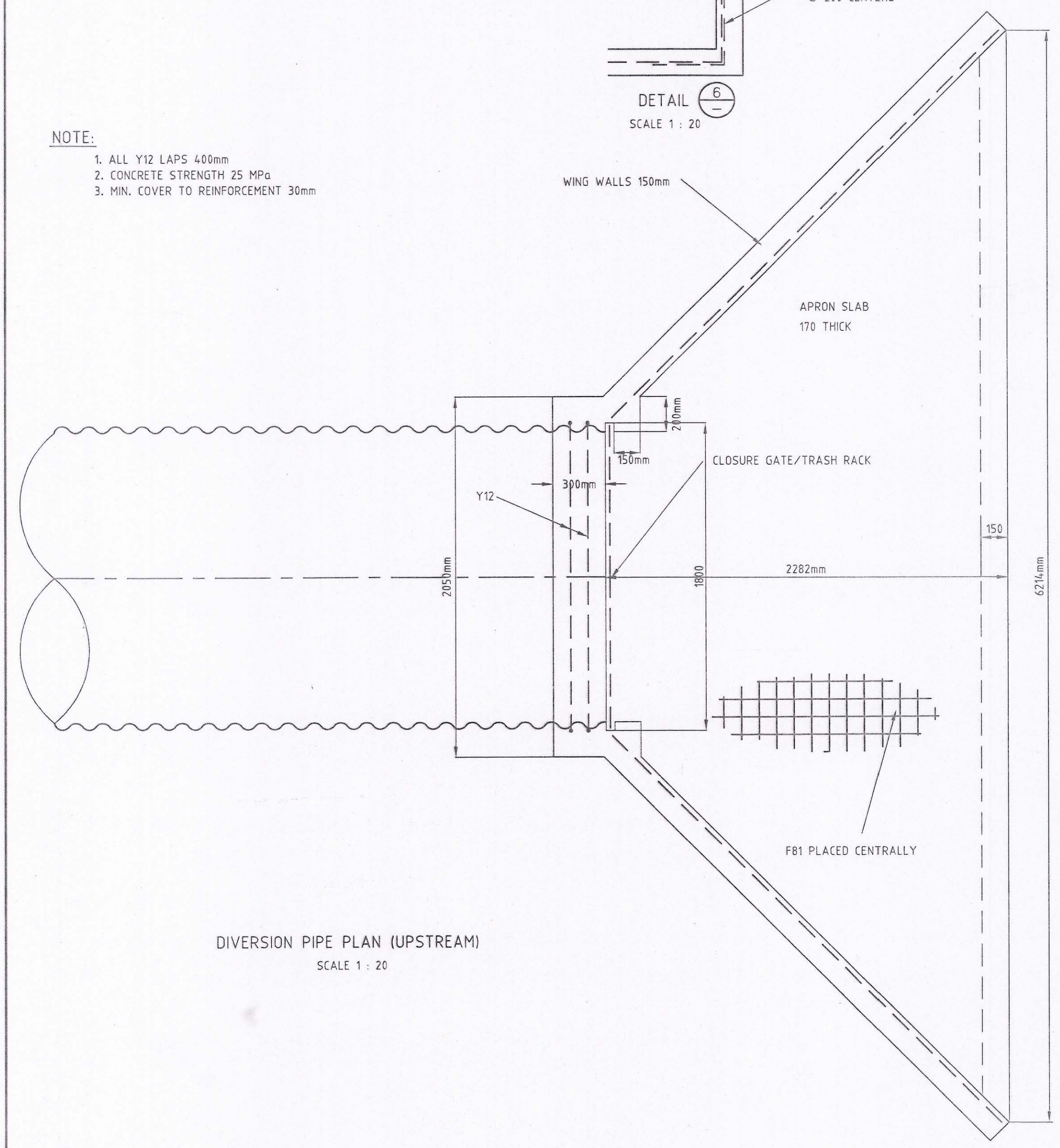
0157_049



NOTE:
 1. ALL Y12 LAPS 400mm
 2. CONCRETE STRENGTH 25 MPa
 3. MIN. COVER TO REINFORCEMENT 30mm



NOTE:
 PROCEDURE OF CLOSURE
 1. PLACE CLOSURE GATE INTO POSITION
 2. REMOVE EXCESS DIVERSION PIPE AND DOWNSTREAM COFFER DAM
 3. CONSTRUCT DOWNSTREAM FORMWORK BULKHEAD TO DIVERSION PIPE END
 4. PUMP PIPE BACKFILL MIX FROM UPSTREAM END UNTIL REFUSAL
 5. ALLOW 3 DAYS SET TIME
 6. GROUT VIA 25mm GROUT PIPE TO FILL REMAINING VOIDS



0	ISSUED FOR TENDER	8-8-'95
Rev. No.	Description	Date

Thompson & Brett Pty. Ltd.
 Consulting Engineers
 7 Bayfield Street, Rosny Park. 7018
 Phone (002) 446633 Fax. (002) 446221

Drawn	M.H.	Date	JUL. 1995	Scale	AS SHOWN
Approved				Director	
File	CMT-04	Geocomp			

Client & Project
COPPER MINES OF TASMANIA PTY.LTD.
 MT. LYELL MINE REDEVELOPMENT
 TAILINGS MANAGEMENT STAGE 2

Drawing Title
PRINCESS CK. TAILINGS DAM LIFT 1a
 DIVERSION PIPE DETAILS
 Drawing No. 95-1234-14 REV 0