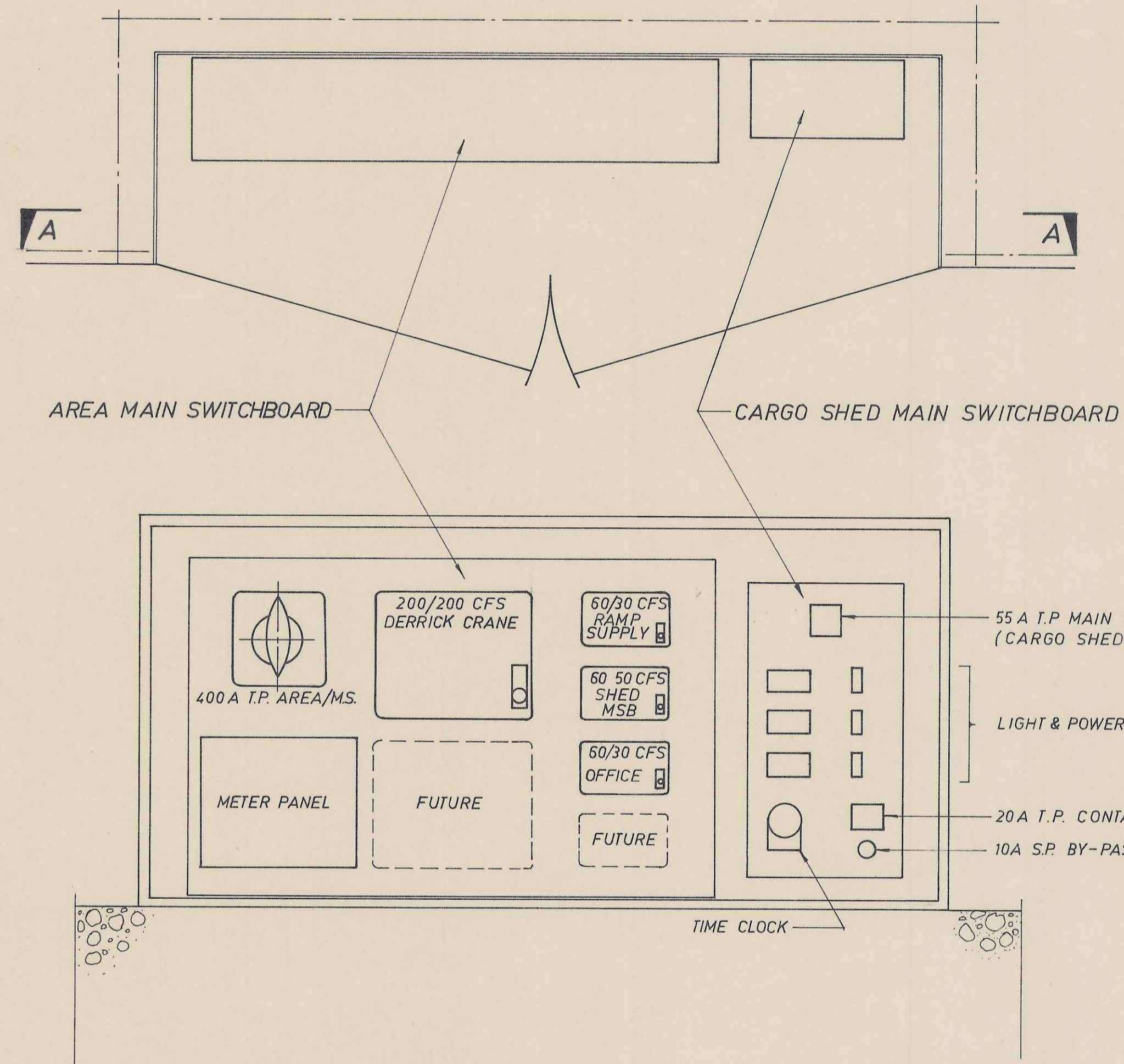
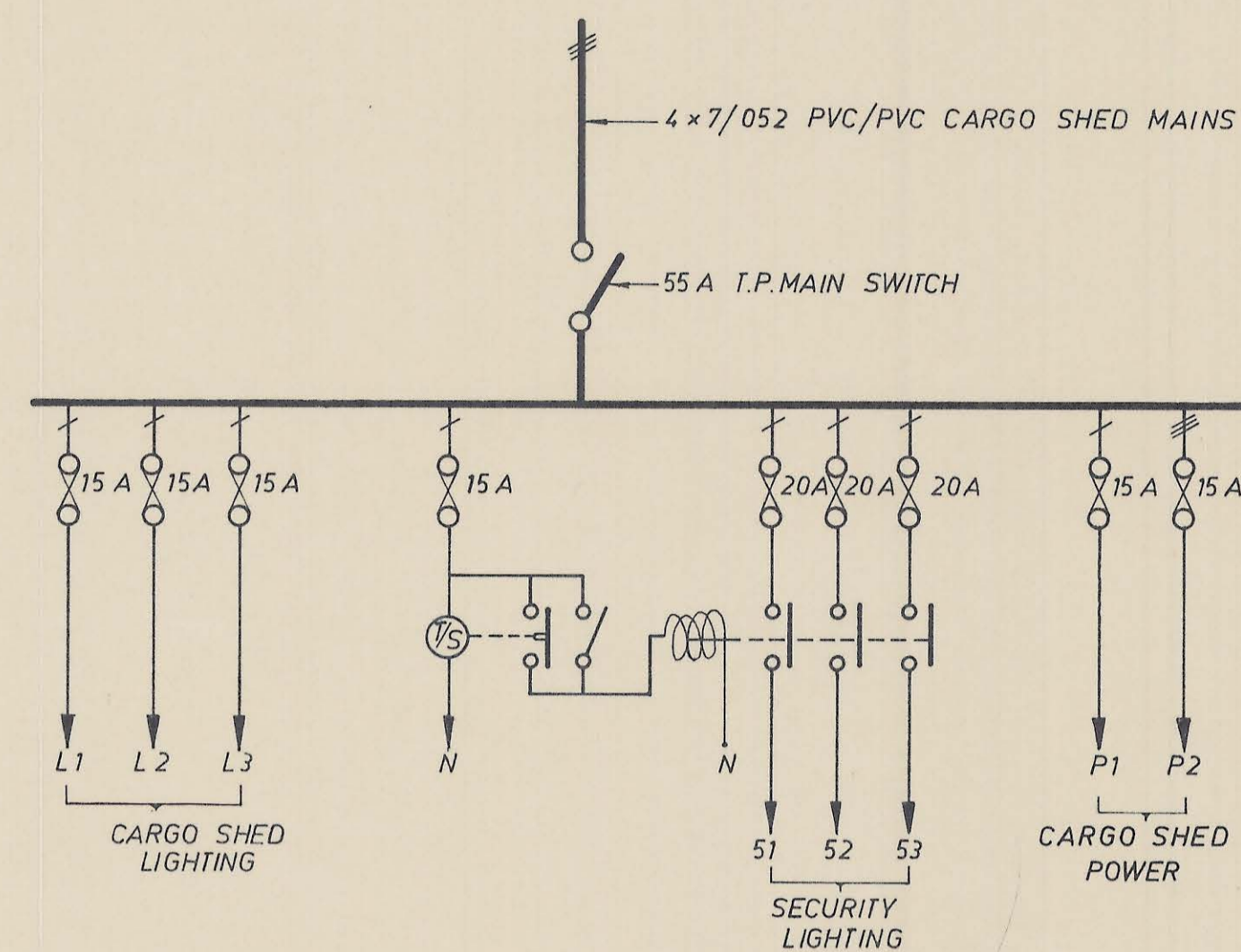


WIRING DIAGRAM - AREA M.S.B



SECTION A-A
AREA & CARGO SHED M.S.B. DETAILS
SCALE 1" TO 1'-0"

NOTE: FOR CONSTRUCTION DETAILS OF SWITCHBOARD
RECESS SEE DRAWING N°



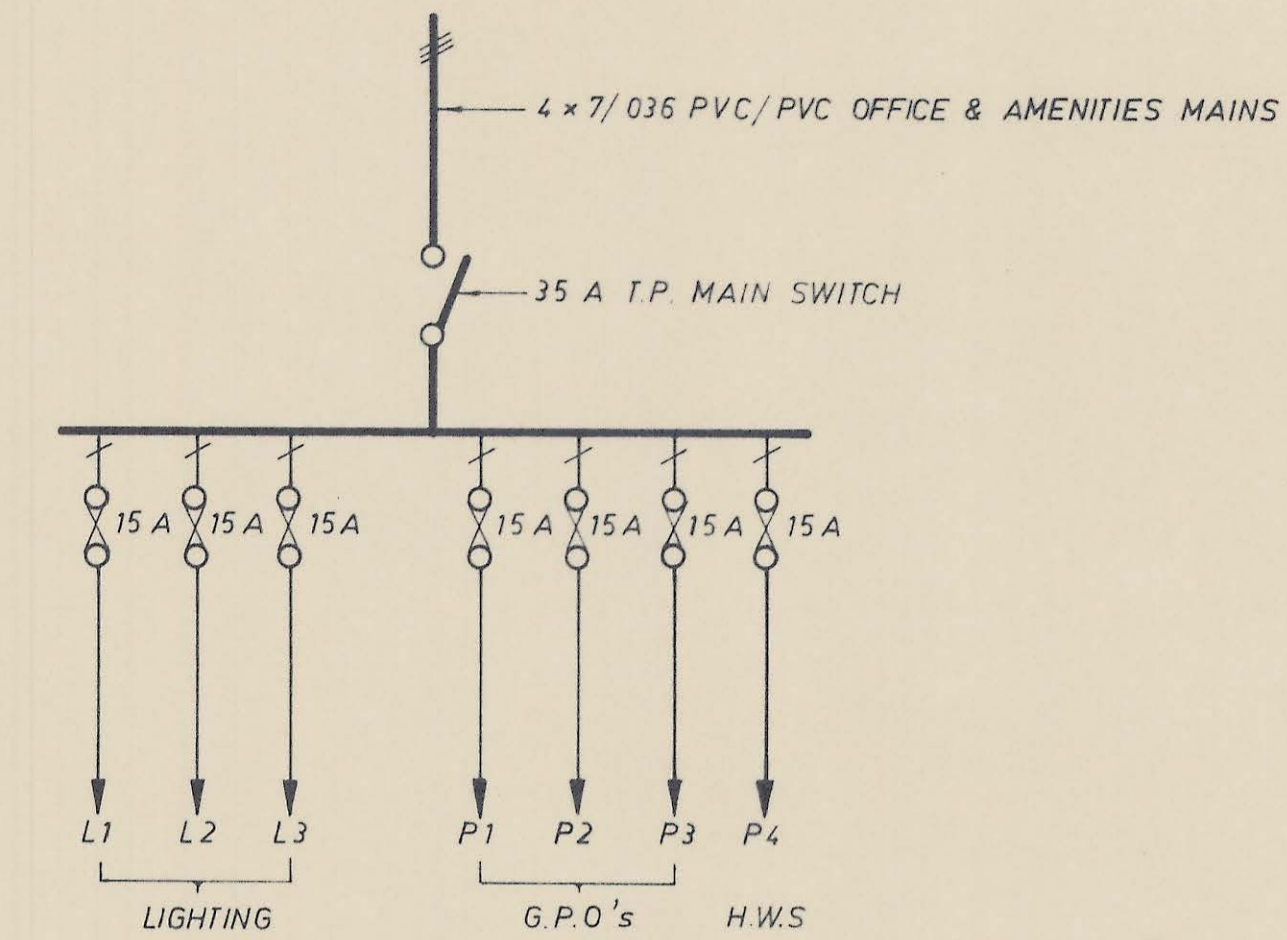
WIRING DIAGRAM CARGO SHED M.S.B

ORIGIN	CABLE SIZE	CABLE ROUTE	DESTINATION
SUPPLY AUTHORITY POLE	3x 37/083 BUTYL RUBBER ACTIVES: 1x 19/083 BR. NEUTRAL	BURIED DIRECT IN GROUND WITH COVER SLABS	AREA M.S.B
AREA M.S.B	4 x 7/052 PVC/PVC	DIRECT	CARGO SHED M.S.B
AREA M.S.B	4 x 7/036 PVC/PVC	IN 2" DIA. G.I.W.P. BY ELECTRICIAN	OFFICE & AMENITIES DIST. BOARD
AREA M.S.B	3 x 37/084 BR. ACTIVES 1 x 19/084 BR. NEUTRAL	BURIED DIRECT IN GROUND & IN 4" DIA. RIGID PVC PIPE	JUNCTION BOX ON DERRICK CRANE
AREA M.S.B	4 x 7/036 PVC/PVC	IN 2 DIA. G.I.W.P BY ELECTRICIAN	RAMP WINCH DB

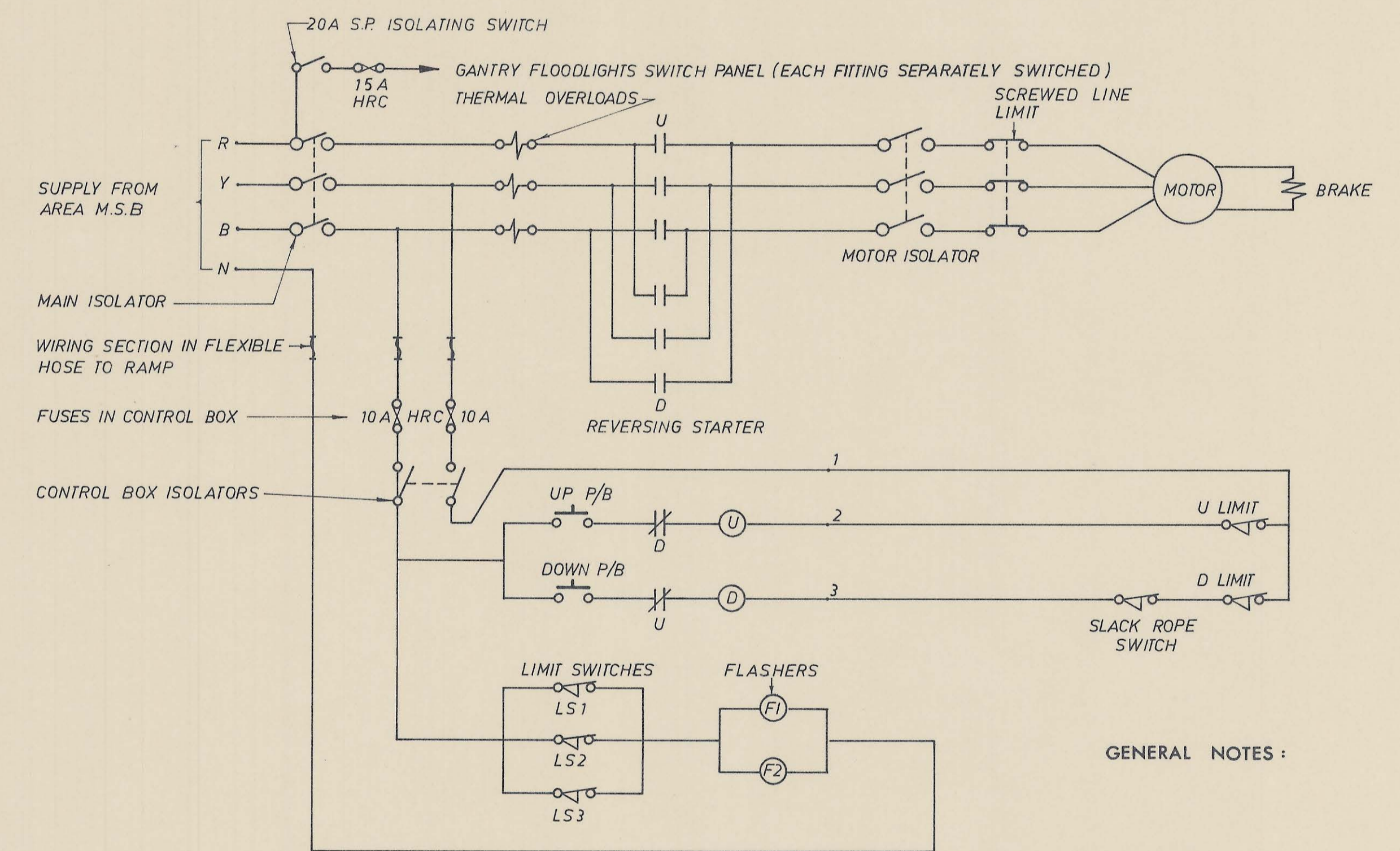
SCHEDULE OF MAINS & SUB-MAINS

LOCATION	EQUIPMENT	RATING	MANUFACTURE
AREA M.S.B	MAIN SWITCH	400 A T.P	KRAUS & NAIMER CAT. N° L400-A202-E
AREA M.S.B	C.F.S. UNITS	200 A T.P. 600 A T.P.	NILSEN CAT N° FS 200 " " FS 60
SHED M.S.B	MAIN SWITCH	55 A T.P.	NILSEN CAT N° M155
SHED M.S.B	TIME CLOCK	" "	" " M135
SHED M.S.B	CONFACTOR	20 A T.P.	VENNER SOLAR DIAL TYPE
SHED M.S.B	BY PASS SWITCH	10 A S.P.	NILSEN CAT N° NLIIC
ALL SWITCHBOARDS	FUSES & BASES	20 A BASE	NILSEN CAT N° FC20 FW WITH HRC FUSES

SCHEDULE OF SWITCHBOARD EQUIPMENT



WIRING DIAGRAM - OFFICE AND AMENITIES



RAMP WINCH & SAFETY WARNING SYSTEM WIRING DIAGRAM

KING ISLAND CONSTRUCTION PTY. LIMITED
MacBlair

TENDER DRAWING ONLY
NOT FOR CONSTRUCTION USE

REV.	DATE	DESCRIPTION

KING ISLAND SCHEELITE LTD.
PORT AT LITTLE GRASSY BAY

**SWITCHBOARD LAYOUT AND
WIRING DIAGRAM**

MAUNSELL & PARTNERS PTY. LTD.
CONSULTING ENGINEERS

SCALE:	DRG. No. 2070/602
DATE: APRIL 1971	
DATE OF ISSUE: 16 APR 1971	

A. D.
H. W.
K. B.